

Job Name/Location:

Tag #:

Date:

For: File Resubmit

PO No.:

Approval Other

Architect:

GC:

Engr:

Mech:

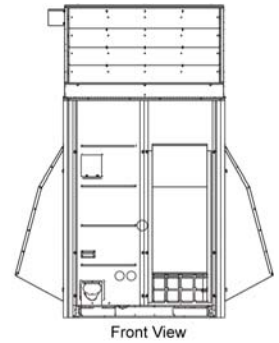
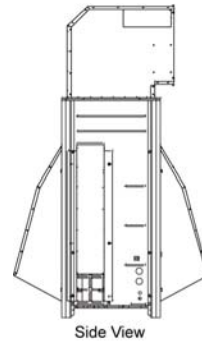
Rep:

(Company)

(Project Manager)

ZLABKA52A

Low Ambient Baffle Kit for Multi V 5 8-20 Ton Outdoor Unit



Compatible Outdoor Units

ARUM096BTE5/ARUM096DTE	ARUM168BTE5/ARUM168DTE
ARUM121BTE5/ARUM121DTE	ARUM192BTE5/ARUM192DTE
ARUM144BTE5/ARUM144DTE	ARUM216BTE5/ARUM216DTE
	ARUM241BTE5/ARUM241DTE

Fitting Properties:

Color	Dark Gray
Material	20 GA Sheet Metal

Each kit comes with:

- Front wind baffle
- Right wind baffle
- Left wind baffle
- Rear wind baffle
- Top discharge elbow with motorized damper and 24 volt damper actuator
- (50) #10 x 1/2" self drilling hex head screws
- Sealite connector (for routing of actuator control and power wiring down to outdoor unit electrical box)

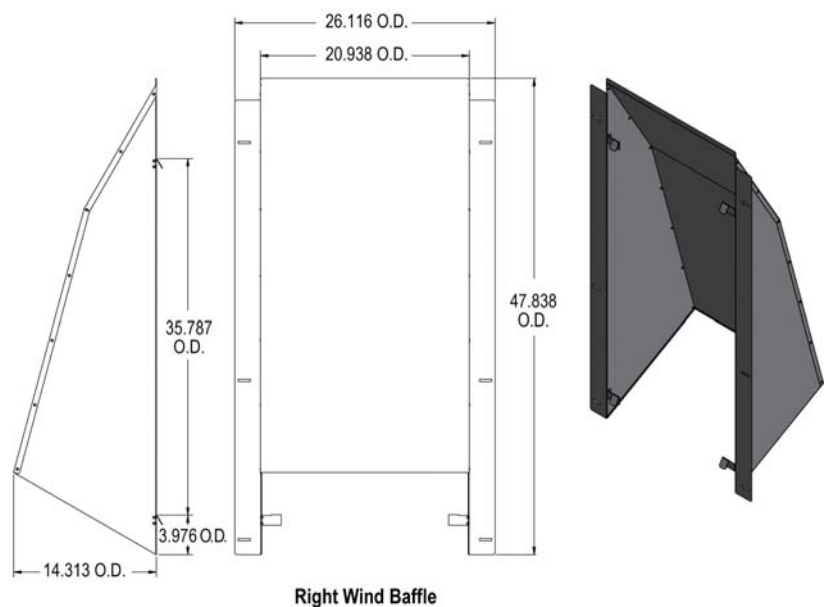
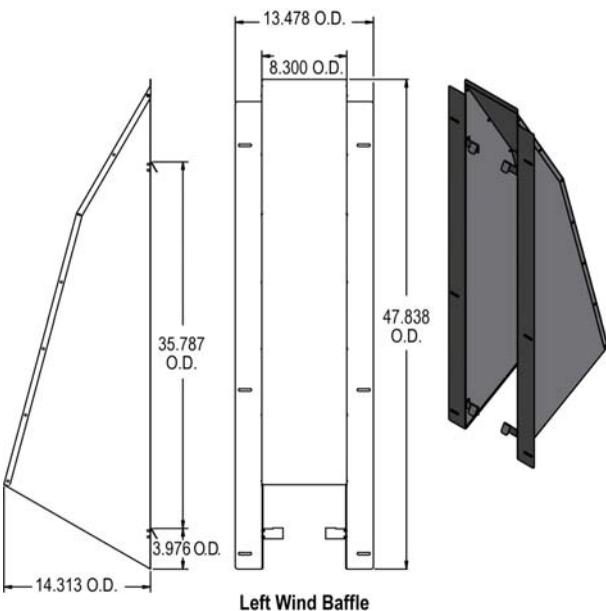
Standard Features:

- Heat Recovery Configurations: 100% nominal cooling capacity available down to -13° F when all indoor units are in cooling mode. Synchronous mode operating range is not impacted.
- Heat Pump Configurations: Allows cooling operation down to -13° F.
- Damper operator has spring return, normally open actuator

Required Accessories (sold separately):

- Low Ambient Control kit - PRVC2

Outdoor Unit	Required Accessory Quantities	
	ZLABKA52A	PRVC2
ARUM096BTE5 / ARUM096DTE5	1	1
ARUM121BTE5 / ARUM121DTE5	1	1
ARUM144BTE5 / ARUM144DTE5	1	1
ARUM168BTE5 / ARUM168DTE5	1	1
ARUM192BTE5 / ARUM192DTE5	1	1
ARUM216BTE5 / ARUM216DTE5	1	1
ARUM241BTE5 / ARUM241DTE5	1	1
ARUM264BTE5 / ARUM264DTE5	2	1
ARUM288BTE5 / ARUM288DTE5	2	1
ARUM312BTE5 / ARUM312DTE5	2	1
ARUM336BTE5 / ARUM336DTE5	2	1
ARUM360BTE5 / ARUM360DTE5	2	1
ARUM384BTE5 / ARUM384DTE5	2	1
ARUM408BTE5 / ARUM408DTE5	2	1
ARUM432BTE5 / ARUM432DTE5	3	1
ARUM456BTE5 / ARUM456DTE5	3	1
ARUM480BTE5 / ARUM480DTE5	3	1
ARUM504BTE5 / ARUM504DTE5	3	1



Job Name/Location:

ZLABKA52A

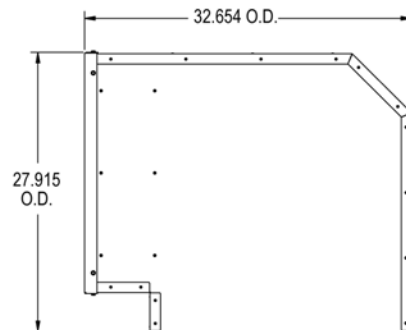
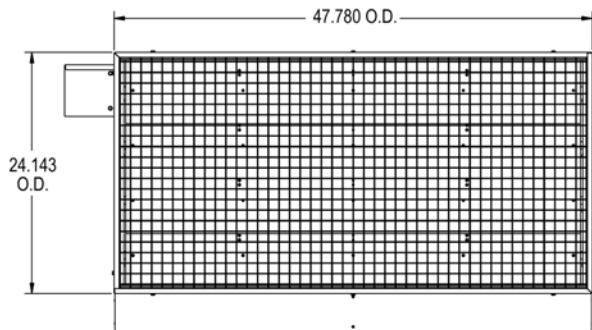
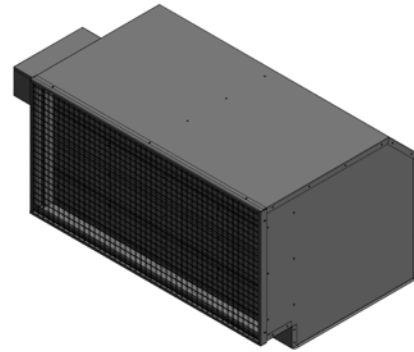
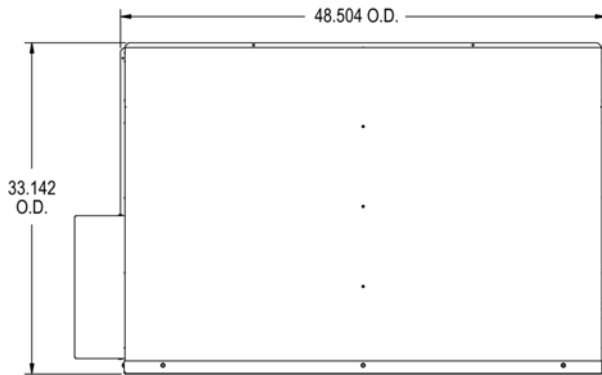
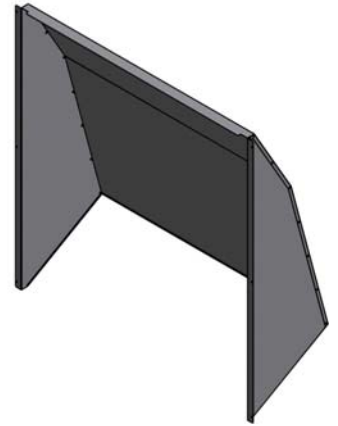
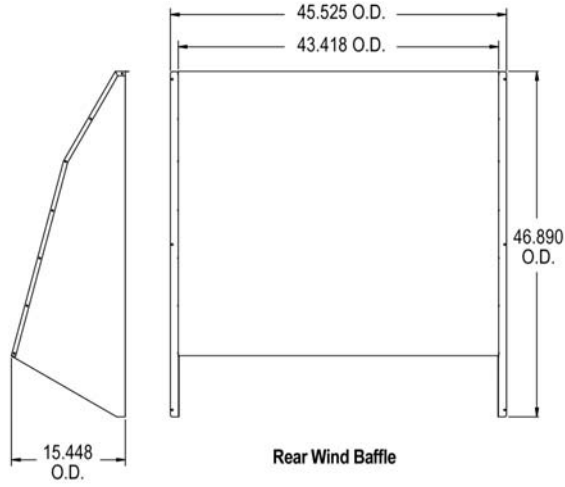
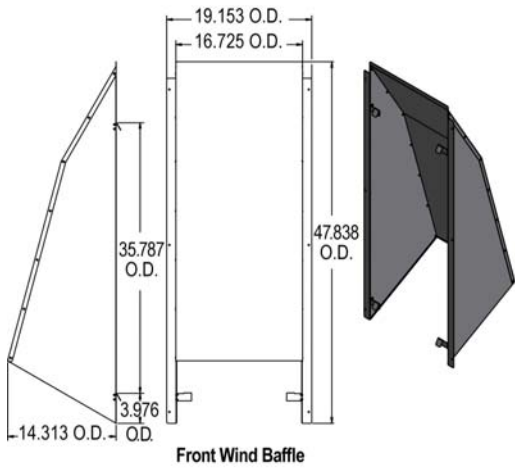
Low Ambient Baffle Kit for Multi V 5 8-20 Ton Outdoor Unit



Tag #:

Date:

PO No.:



Top Wind Baffle