

Date: \_\_\_\_\_

For:  File  Resubmit  
 Approval  Other \_\_\_\_\_

PO No.: \_\_\_\_\_

Architect: \_\_\_\_\_

GC: \_\_\_\_\_

Engr: \_\_\_\_\_

Mech: \_\_\_\_\_

Rep: \_\_\_\_\_  
(Company)

\_\_\_\_\_  
(Project Manager)

**ARNU243B4G4**  
**Multi V™ Ducted (Low Static Built-In)**  
**24,200 Btu/h Indoor Unit**



shown with optional grill and canvas accessories

**Performance:**

Total Cooling Capacity (Btu/h)	24,200
Heating Capacity (Btu/h)	27,300
Power Input <sup>1</sup> (W)	115

Cooling Nominal Test Conditions: Indoor: 80°F DB/67°F WB  
 Heating Nominal Test Conditions: Indoor: 70°F DB  
 Outdoor: 95°F DB  
 Outdoor: 47°F DB/43°F WB

**Electrical:**

Power Supply (V/Hz/∅)	208-230/60/1
Rated Amps (A)	0.97

**Piping:**

Refrigerant:

Liquid Line (in, OD)	3/8 Flare
Vapor Line (in, OD)	5/8 Flare

Condensate:

Condensate Pump Drain <sup>2</sup> (in,OD)	1
--	---

**Controls Features:**

- Auto changeover (Heat Recovery only)
- Auto operation
- Auto restart
- Child lock
- Dual thermistor control
- Hot start
- Self diagnostics
- Timer (on/off)
- Weekly schedule
- Fan speed control
- Dual setpoint control
- Multiple aux heater applications
- Filter life and power consumption display

**Optional Accessories:**

- Wireless Remote Controller - PQWRHQ0FDB
- LG Programmable Controller - PREMTB10U
- LG Premium Controller - PREMTA000
- Simple Controller with Mode (Black) - PQRCVCLQO
- Simple Controller with Mode (White) - PQRCVCLQW
- Simple Controller without Mode (Black) - PQRCHCAOQ
- Simple Controller without Mode (White) - PQRCHCAQW
- Simple Dry Contact (1 contact, 24 VAC external power) - PQDSB1
- Dry Contact for Economizer - PQDSBC1
- Dry Contact for Third Party Thermostat - PQDSBNGCM1
- Wall Mounted Temperature Sensor - PQRSTAO
- Return Air Grille - PBSGB30 (Includes washable filter)
- Return Air Canvas - PBSC30

**Entering Mixed Air:**

Cooling Max <sup>4</sup> (°F WB)	76
Heating Min (°F DB)	59

**Unit Data:**

Refrigerant Type	R410A
Refrigerant Control	EEV
Sound Pressure <sup>5</sup> dB(A) (H/M/L)	46 / 43 / 37
Filter Type	Washable
Filter Quantity	1
Filter Dimensions	40-3/4" x 6-5/8" x 1/4"
Net Unit Weight (lbs)	57
Shipping Weight (lbs)	67

**Fan:**

Type	Sirocco
Fan Quantity	4
Motor/Drive	Brushless Digitally Controlled/Direct
Motor Quantity	2
High Mode Airflow Rate H/M/L (CFM)	600 / 530 / 353
High Mode External Static Pressure (ESP) <sup>6</sup> (in wg)	0.08
Standard Mode Airflow Rate H/M/L (CFM)	600 / 530 / 353
Standard Mode External Static Pressure <sup>6</sup> (in wg)	0
Minimum ESP <sup>7</sup>	0
Maximum ESP <sup>7</sup>	0.15

**Notes:**

- 1.The Power Input is rated at high speed.
- 2.Maximum lift is 27 inches from bottom of unit. Check valve not included (field supplied).
- 3.Requires an LG Programmable Thermostat, Simple Controller with Mode or a Simple Controller without Mode.
- 4.See Engineering Manual for sensible and latent capacities.
- 5.Sound Pressure levels are tested in an anechoic chamber under ISO Standard 3745.
- 6.At factory fan speed setting.
- 7.Maximum static pressure may result in reduced airflow (CFM).
- 8.All communication cable to be minimum 18 AWG, 2-conductor, stranded, shielded and must comply with applicable local and national code.
- 9.Power wiring cable size must comply with the applicable local and national code.
- 10.This unit comes with a dry nitrogen charge.
- 11.This data is rated 0 ft above sea level, with 25 ft of refrigerant line per indoor unit and a 0 ft level difference between outdoor and indoor units. All capacities are net with a combination ratio between 95 – 105%.
- 12.Must follow installation instructions in the applicable LG installation manual.



# ARNU243B4G4

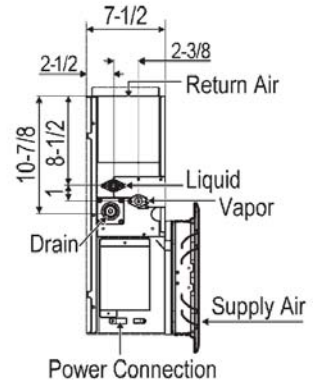
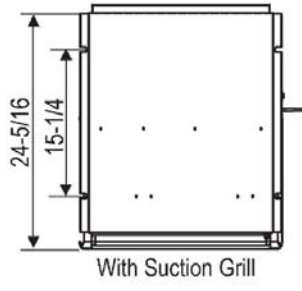
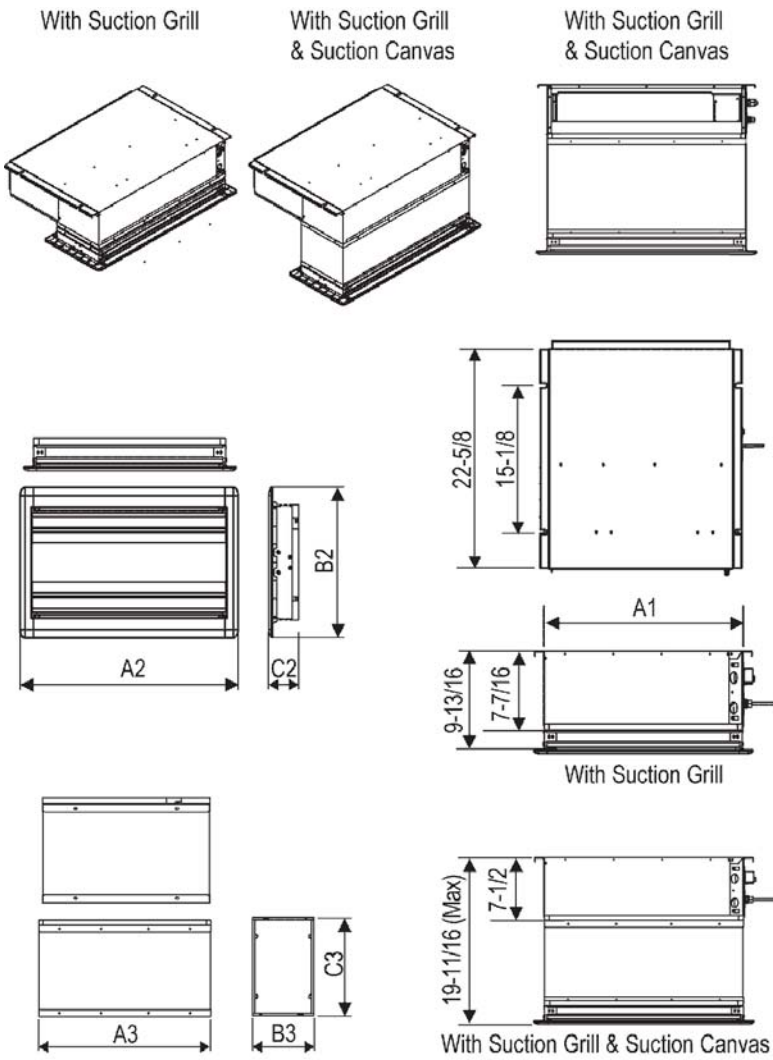
Multi V™ Ducted (Low Static Built-In)  
24,200 Btu/h Indoor Unit



Tag #:

Date:

PO No.:



Model	A1
ARNU073B3G4	
ARNU093B3G4	32-5/8
ARNU123B3G4	
ARNU153B3G4	
ARNU183B4G4	43-5/16
ARNU243B4G4	

Unit: inches  
Note: All measurements have a tolerance of ±1/4 in.

Accessory	A2	B2	C2
PBSGB30	35-13/16	14-1/8	2-3/16
PBSGB40	46-13/16	14-1/8	2-3/16

Accessory	A3	B3	C3
PBSC30	32-5/16	10-11/16	1-9/16 to 9-13/16
PBSC40	43-5/16	10-11/16	1-9/16 to 9-13/16