

Job Name/Location:

Tag #:

Date:

For: File Resubmit

PO No.:

Approval Other

Architect:

GC:

Engr:

Mech:

Rep:

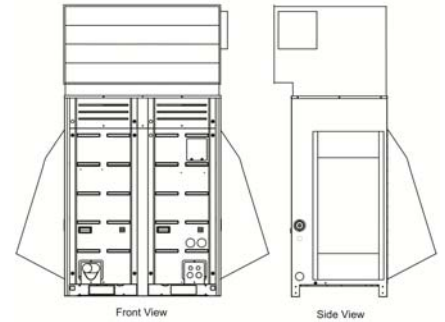
(Company)

(Project Manager)

Exclusively manufactured by:
Washington Metal Fabricators

ZLABKA03A

Low Ambient Baffle Kit for 8-14 Ton Outdoor Units



Compatible Outdoor Units:

ARUN***BTE4/ARUN***DTE4

ARUB***BTE4/ARUB***DTE4

Selection Matrix:

Fitting Properties:

Color	Warm Gray
Material	20 GA Sheet Metal

Each kit comes with:

- Right wind baffle
- Left wind baffle
- Rear wind baffle
- Top discharge elbow with motorized damper and 24 volt damper actuator
- (50) #10 x 1/2" self drilling hex head screws
- Sealtite connector (for routing of actuator control and power wiring down to outdoor unit electrical box)

Standard Features:

- Heat Recovery Models: Allows cooling operation down to -9.9° F with all IDU's operating in cooling mode and 14° F in synchronous mode.
- Heat Pump Models: Allows cooling operation down to -9.9° F.
- Damper operator has spring return, normally open actuator

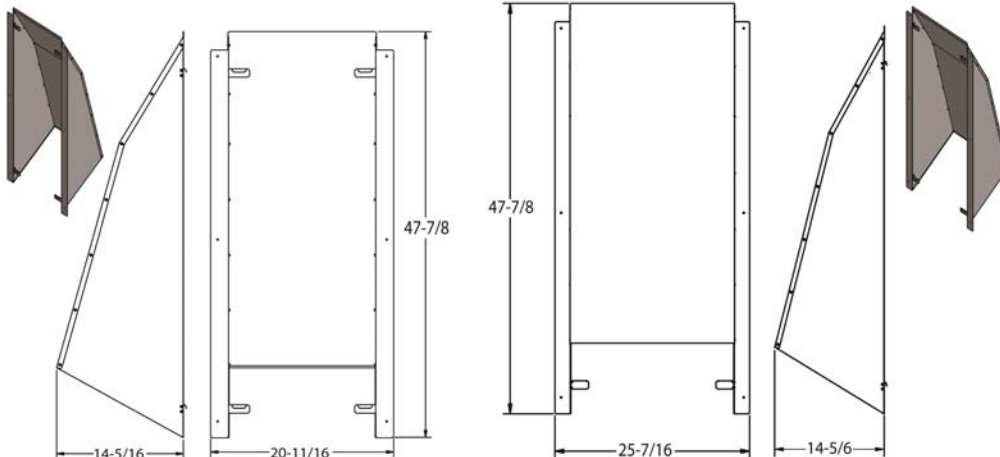
Required Accessories (sold separately):

- Control Kit- PRVC2

Outdoor Unit	Required Accessory Quantities		
	ZLABKA01A	ZLABKA03A	PRVC2
ARUN072BTE4 ARUN072DTE4			
ARUB072BTE4 ARUB072DTE4	1		1
ARUN096BTE4 ARUN096DTE4			
ARUB096BTE4 ARUB096DTE4		1	1
ARUN121BTE4 ARUN121DTE4			
ARUB121BTE4 ARUB121DTE4		1	1
ARUN144BTE4 ARUN144DTE4			
ARUB144BTE4 ARUB144DTE4		1	1
ARUN145BTE4 ARUN145DTE4			
ARUB145BTE4 ARUB145DTE4		1	1
ARUN168BTE4 ARUN168DTE4			
ARUB168BTE4 ARUB168DTE4		1	1
ARUN169BTE4 ARUN169DTE4			
ARUB169BTE4 ARUB169DTE4		1	1
ARUN192BTE4 ARUN192DTE4			
ARUB192BTE4 ARUB192DTE4	1	1	1
ARUN216BTE4 ARUN216DTE4			
ARUB216BTE4 ARUB216DTE4	1	1	1
ARUN240BTE4 ARUN240DTE4			
ARUB240BTE4 ARUB240DTE4		2	1
ARUN264BTE4 ARUN264DTE4			
ARUB264BTE4 ARUB264DTE4		2	1
ARUN288BTE4 ARUN288DTE4			
ARUB288BTE4 ARUB288DTE4		2	1
ARUN312BTE4 ARUN312DTE4			
ARUB312BTE4 ARUB312DTE4	1	3	1
ARUN313BTE4 ARUN313DTE4			
ARUB313BTE4 ARUB313DTE4		2	1
ARUN336BTE4 ARUN336DTE4			
ARUB336BTE4 ARUB336DTE4		3	1
ARUN337BTE4 ARUN337DTE4			
ARUB337BTE4 ARUB337DTE4		2	1
ARUN360BTE4 ARUN360DTE4			
ARUB360BTE4 ARUB360DTE4		3	1
ARUN384BTE4 ARUN384DTE4			
ARUB384BTE4 ARUB384DTE4		3	1
ARUN408BTE4 ARUN408DTE4			
ARUB408BTE4 ARUB408DTE4		3	1
ARUN408BTE4 ARUN408DTE4			
ARUB408BTE4 ARUB408DTE4		3	1
ARUN432BTE4 ARUN432DTE4			
ARUB432BTE4 ARUB432DTE4		3	1
ARUN456BTE4 ARUN456DTE4			
ARUB456BTE4 ARUB456DTE4		3	1
ARUN480BTE4 ARUN480DTE4			
ARUB480BTE4 ARUB480DTE4		3	1
ARUN504BTE4 ARUN504DTE4			
ARUB504BTE4 ARUB504DTE4		3	1

Left Wind Baffle

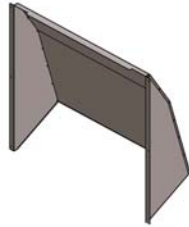
Right Wind Baffle



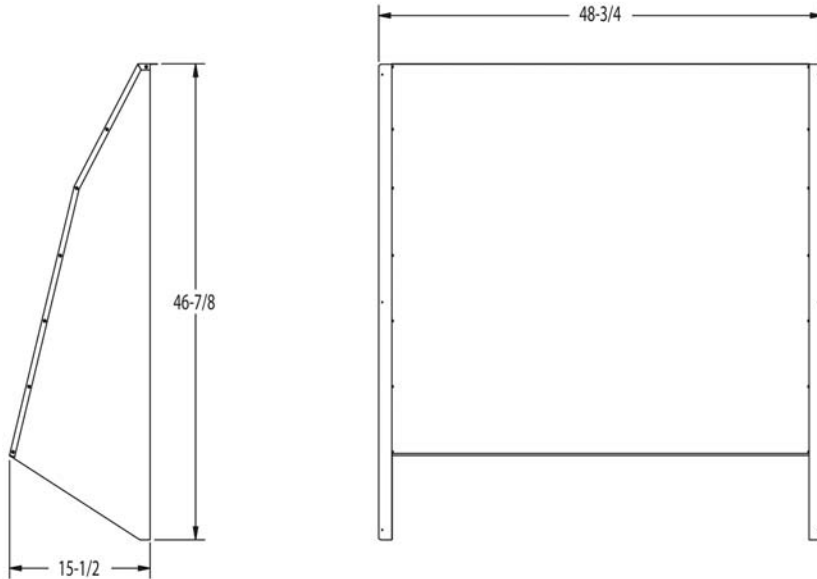
ZLABKA03A
Low Ambient Baffle Kit for 8-14 Ton Outdoor Units



Tag #: _____
Date: _____
PO No.: _____



Rear Wind Baffle



Top Discharge Elbow

