

Date: _____ For: File Resubmit
 PO No.: _____ Approval Other _____
 Architect: _____ GC: _____
 Engr: _____ Mech: _____
 Rep: _____
 (Company) _____ (Project Manager)



ARWB072DAS4
 Multi V™ Water IV Heat Recovery
 6.0 Ton Water Source Unit

Performance:

Cooling Mode:

| | |
|--------------------------|--------|
| Nominal Capacity (Btu/h) | 72,000 |
|--------------------------|--------|

Heating Mode:

| | |
|--------------------------|--------|
| Nominal Capacity (Btu/h) | 81,000 |
|--------------------------|--------|

Nominal capacities are outside the scope of AHRI Standard 1230 and based on the following conditions -

| | |
|---|---|
| Cooling Nominal Test Conditions: Indoor: 80°F DB / 67°F WB Water Inlet Temp: 86°F | Heating Nominal Test Conditions: Indoor: 68°F DB Water Inlet Temp: 68°F |
|---|---|

Electrical:

| | |
|----------------------------|----------|
| Power Supply (V/Hz/Ø) | 460/60/3 |
| MOP (A) | 25.0 |
| MCA (A) | 16.2 |
| Rated Amps (A) | 13.0 |
| Recommended Fuse Amps (A): | 25 |

Piping:

Refrigerant:

| | |
|--------------------------|------|
| Refrigerant Charge (lbs) | 12.8 |
| Liquid Line (in, OD) | 3/8 |
| Vapor Line High (in, OD) | 3/4 |
| Vapor Line Low (in, OD) | 7/8 |

Water:

| | |
|-------------------------|-------|
| Water Inlet/Outlet (in) | 1-1/2 |
|-------------------------|-------|

Condensate:

| | |
|----------------------|-----|
| Condensate Line (in) | 3/4 |
|----------------------|-----|

Standard Features:

- Fault Detection and Diagnosis
- HiPOR (High Pressure Oil Return)
- Smart Oil Control

Optional Accessories

- Variable Water Flow Valve Control Kit - PWFCKN000

Water Operating Range¹:

| | |
|---|--------|
| CLG Mode Entering Water Range (°F) | 23-113 |
| HTG Mode Entering Water Range (°F) ² | 14-113 |

Synchronous Operating Range¹:

| | |
|---------------------------|--------|
| Entering Water Range (°F) | 23-113 |
|---------------------------|--------|

Unit Data:

| | |
|---|-----------------------|
| Refrigerant Type | R410A |
| Refrigerant Control | EEV |
| Max Number of Indoor Units ³ | 13 |
| Sound Pressure ⁴ (Cooling/Heating) dB(A) | 47/51 |
| Net Unit Weight (lbs) | 280 |
| Shipping Weight (lbs) | 302 |
| Communication Cable ⁵ (No. x AWG) | 2 x 18 |
| Heat Exchanger Type | Stainless Steel Plate |
| Heat Rejected to Equipment Room (Btu/h) | 2,152 |

Compressor:

| | |
|---------------------|-----------------|
| Compressor Type | Hermetic Scroll |
| Compressor Drive | Inverter |
| Compressor Quantity | 1 |
| Oil/Type | PVE/FVC68D |

Condenser Water:

| | |
|-----------------------|------|
| Flow Rate (GPM) | 20.3 |
| Pressure Drop (ft wg) | 3.7 |

Notes:

1. When entering water temperature is lower than 59°F, variable water flow control kit PWFCKN000 is required.
2. When entering water temperature is lower than 23°F, water solution must be minimum 45% antifreeze.
3. The combination ratio must be between 50-130%.
4. Sound pressure levels are tested in an anechoic chamber under ISO Standard 3745.
5. All communication cable to be minimum 18 AWG, 2-conductor, stranded, shielded and must comply with applicable local and national code.
6. For AHRI ratings, refer to the AHRI website <http://www.ahridirectory.org>.
7. Nominal data is rated 0 ft above sea level, with 25 ft of refrigerant line per indoor unit and a 0 ft level difference between outdoor and indoor units. All capacities are net with a combination ratio between 95 – 105%.
8. Power wiring cable size must comply with the applicable local and national code.
9. The voltage tolerance is 414-528V.



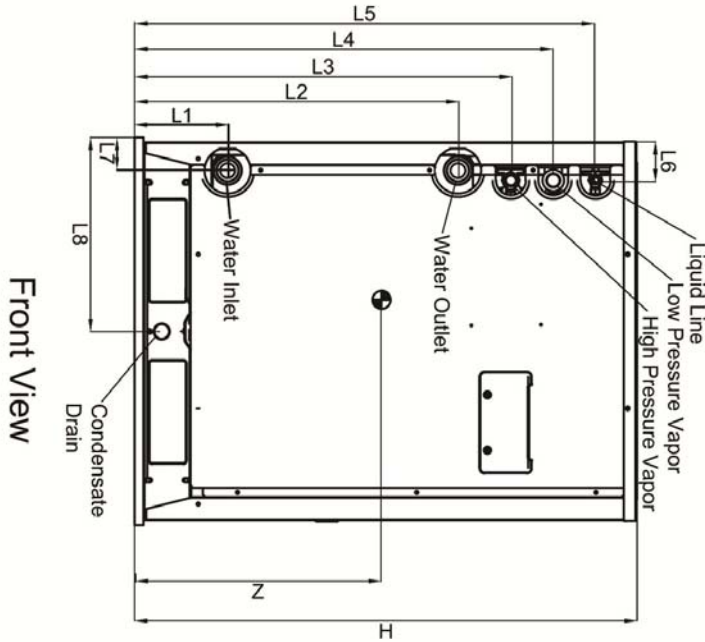
ARWB072DAS4
 Multi V™ Water IV Heat Recovery
 6.0 Ton Water Source Unit



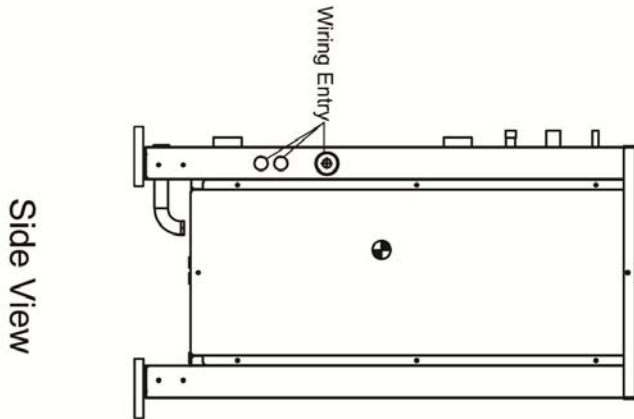
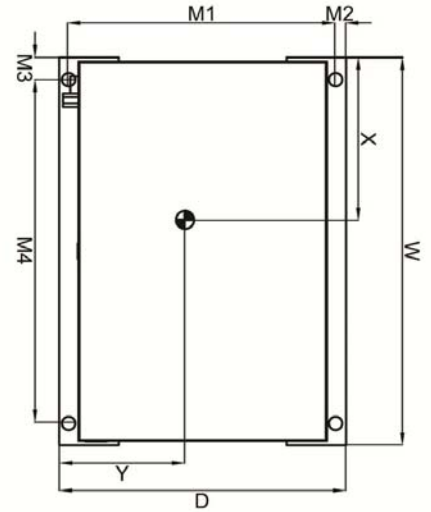
Tag #: _____

Date: _____

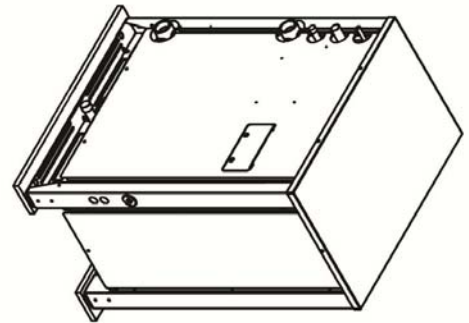
PO No.: _____



Top View



Isometric



| | |
|----|-----------|
| X | 13-1/2" |
| Y | 9-13/16" |
| Z | 16-1/2" |
| W | 29-3/4" |
| D | 19-3/4" |
| H | 39-1/4" |
| L1 | 6-5/8" |
| L2 | 25" |
| L3 | 29-1/4" |
| L4 | 32-1/2" |
| L5 | 35-15/16" |
| L6 | 3-1/8" |
| L7 | 2-1/4" |
| L8 | 14-3/4" |
| M1 | 18-1/4" |
| M2 | 3/4" |
| M3 | 2-7/16" |
| M4 | 24-13/16" |