

Job Name/Location:

Tag #:

Date: _____ For: File Resubmit
 PO No.: _____ Approval Other _____
 Architect: _____ GC: _____
 Engr: _____ Mech: _____
 Rep: _____
 (Company) (Project Manager)



ARWN096DAS4
 Multi V™ Water IV Heat Pump
 8.0 Ton Water Source Unit

Performance:

Cooling Mode:

Nominal Capacity (Btu/h)	96,000
--------------------------	--------

Heating Mode:

Nominal Capacity (Btu/h)	108,000
--------------------------	---------

Nominal capacities are outside the scope of AHRI Standard 1230 and based on the following conditions -

Cooling Nominal Test Conditions:	Heating Nominal Test Conditions:
Indoor: 80°F DB / 67°F WB	Indoor: 68°F DB
Water Inlet Temp: 86°F	Water Inlet Temp: 68°F

Electrical:

Power Supply (V/Hz/Ø)	460/60/3
MOP (A)	25
MCA (A)	17.2
Rated Amps (A)	13.8
Recommended Fuse Amps (A)	25

Piping:

Refrigerant:

Refrigerant Charge (lbs)	12.8
Liquid Line	3/8
Vapor Line	7/8

Water:

Water Inlet/Outlet (in)	1-1/2
-------------------------	-------

Condensate:

Condensate Line (in)	3/4
----------------------	-----

Standard Features:

- Fault Detection and Diagnosis
- HiPOR (High Pressure Oil Return)
- Smart Oil Control

Optional Accessories

- Variable Water Flow Valve Control Kit - PWFCN000

Water Operating Range¹:

CLG Mode Entering Water Range (°F)	23-113
HTG Mode Entering Water Range (°F) ²	14-113

Unit Data:

Refrigerant Type	R410A
Refrigerant Control	EEV
Max Number of Indoor Units ³	16
Sound Pressure ⁴ (CLG/HTG) dB(A)	50/53
Net Unit Weight (lbs)	280
Shipping Weight (lbs)	302
Communication Cable ⁵ (No. x AWG)	2 x 18
Heat Exchanger Type	Stainless Steel Plate
Heat Rejected to Equipment Room (Btu/h)	2,322

Compressor:

Type	Hermetic Scroll
Drive	Inverter
Quantity	1
Oil/Type	PVE/FVC68D

Condenser Water:

Flow Rate (GPM)	25.4
Pressure Drop (ft wg)	5.3

Notes:

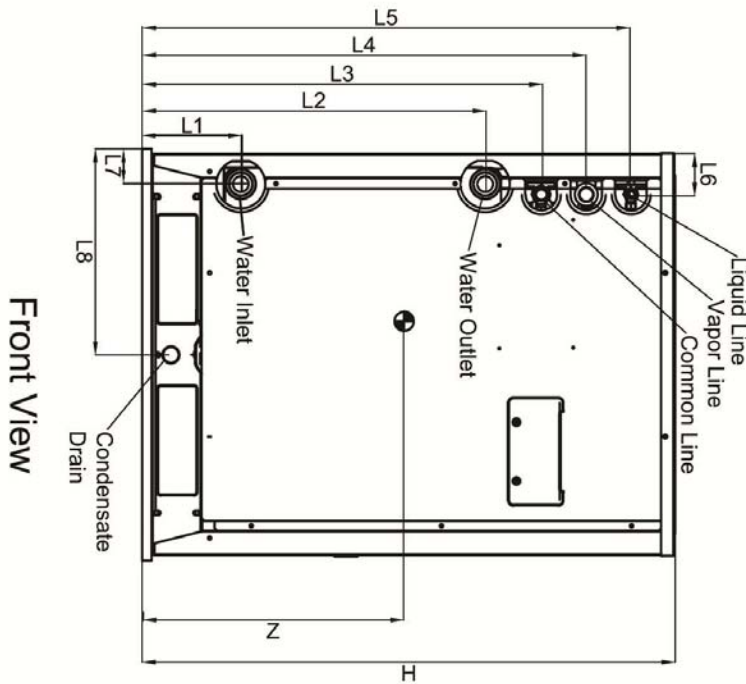
1. When entering water temperature is lower than 59°F, variable water flow control kit PWFCN000 is required.
2. When entering water temperature is lower than 23°F, water solution must be minimum 45% antifreeze.
3. The combination ratio must be between 50-130%.
4. Sound pressure levels are tested in an anechoic chamber under ISO Standard 3745.
5. All communication cable to be minimum 18 AWG, 2-conductor, stranded, shielded and must comply with applicable local and national code.
6. For AHRI ratings, refer to the AHRI website <http://www.ahridirectory.org>.
7. Nominal data is rated 0 ft above sea level, with 25 ft of refrigerant line per indoor unit and a 0 ft level difference between outdoor and indoor units. All capacities are net with a combination ratio between 95 – 105%.
8. Power wiring cable size must comply with the applicable local and national code.
9. The voltage tolerance is 414-528V.



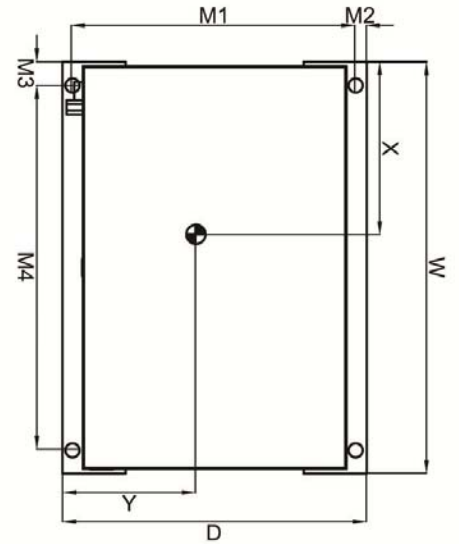
ARWN096DAS4
 Multi V™ Water IV Heat Pump
 8.0 Ton Water Source Unit



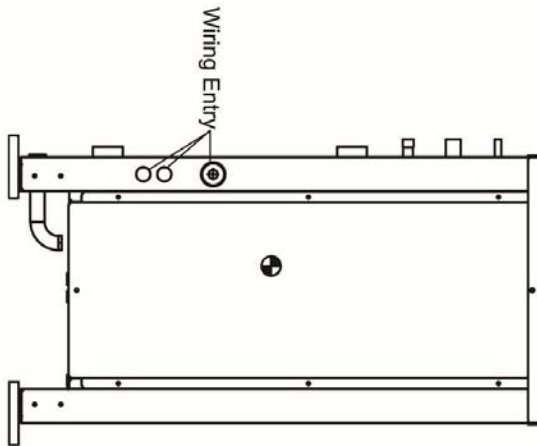
Tag #: _____
 Date: _____
 PO No.: _____



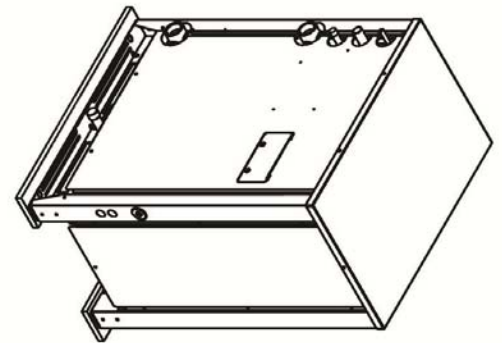
Top View



Side View



Isometric



X	13-1/2"
Y	9-13/16"
Z	16-1/2"
W	29-3/4"
D	19-3/4"
H	39-1/4"
L1	6-5/8"
L2	25"
L3	29-1/4"
L4	32-1/2"
L5	35-15/16"
L6	3-1/8"
L7	2-1/4"
L8	14-3/4"
M1	18-1/4"
M2	3/4"
M3	2-7/16"
M4	24-13/16"