

Job Name/Location:

Tag #:

Date:

For:  File  Resubmit

PO No.:

Approval  Other

Architect:

GC:

Engr:

Mech:

Rep:

(Company)

(Project Manager)

**ARWN072DAS4**  
Multi V™ Water IV Heat Pump  
6.0 Ton Water Source Unit

**Performance:**

Cooling Mode:

Nominal Capacity (Btu/h) 72,000

Heating Mode:

Nominal Capacity (Btu/h) 81,000

Nominal capacities are outside the scope of AHRI Standard 1230 and based on the following conditions -

Cooling Nominal Test Conditions:

Indoor: 80°F DB / 67°F WB

Water Inlet Temp: 86°F

Heating Nominal Test Conditions:

Indoor: 68°F DB

Water Inlet Temp: 68°F

**Electrical:**

Power Supply (V/Hz/Ø) 460/60/3  
MOP (A) 25  
MCA (A) 16.2  
Rated Amps (A) 13.0  
Recommended Fuse Amps (A) 25

**Piping:**

Refrigerant:

Refrigerant Charge (lbs) 12.8  
Liquid Line 3/8  
Vapor Line 7/8

Water:

Water Inlet/Outlet (in) 1-1/2

Condensate:

Condensate Line (in) 3/4

**Standard Features:**

- Fault Detection and Diagnosis
- HiPOR (High Pressure Oil Return)
- Smart Oil Control

**Optional Accessories**

- Variable Water Flow Valve Control Kit - PWFKCN000

**Water Operating Range<sup>1</sup>:**

CLG Mode Entering Water Range (°F) 23-113  
HTG Mode Entering Water Range (°F)<sup>2</sup> 14-113

**Unit Data:**

Refrigerant Type R410A  
Refrigerant Control EEV  
Max Number of Indoor Units<sup>3</sup> 13  
Sound Pressure<sup>4</sup> (CLG/HTG) dB(A) 47/51  
Net Unit Weight (lbs) 280  
Shipping Weight (lbs) 302  
Communication Cable<sup>5</sup> (No. x AWG) 2 x 18  
Heat Exchanger Type Stainless Steel Plate  
Heat Rejected to Equipment Room (Btu/h) 2,152

**Compressor:**

Type Hermetic Scroll  
Drive Inverter  
Quantity 1  
Oil/Type PVE/FVC68D

**Condenser Water:**

Flow Rate (GPM) 20.3  
Pressure Drop (ft wg) 3.7

**Notes:**

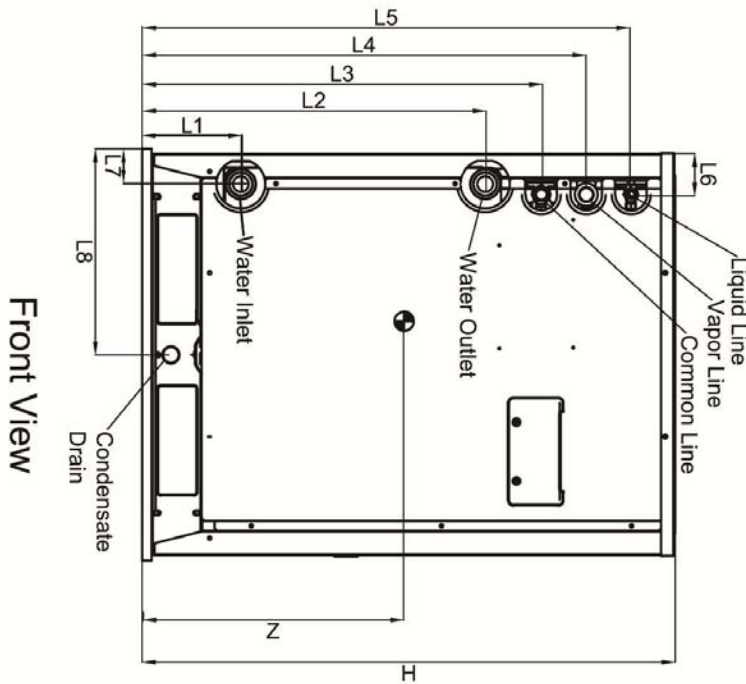
1. When entering water temperature is lower than 59°F, variable water flow control kit PWFKCN000 is required.
2. When entering water temperature is lower than 23°F, water solution must be minimum 45% antifreeze.
3. The combination ratio must be between 50-130%.
4. Sound pressure levels are tested in an anechoic chamber under ISO Standard 3745.
5. All communication cable to be minimum 18 AWG, 2-conductor, stranded, shielded and must comply with applicable local and national code.
6. For AHRI ratings, refer to the AHRI website <http://www.ahridirectory.org>.
7. Nominal data is rated 0 ft above sea level, with 25 ft of refrigerant line per indoor unit and a 0 ft level difference between outdoor and indoor units. All capacities are net with a combination ratio between 95 – 105%.
8. Power wiring cable size must comply with the applicable local and national code.
9. The voltage tolerance is 414-528V.



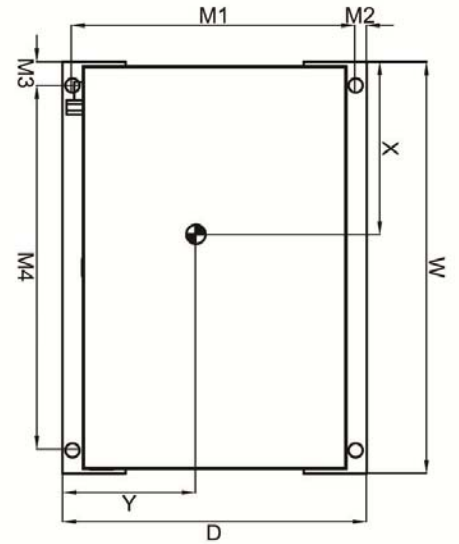
**ARWN072DAS4**  
 Multi V™ Water IV Heat Pump  
 6.0 Ton Water Source Unit



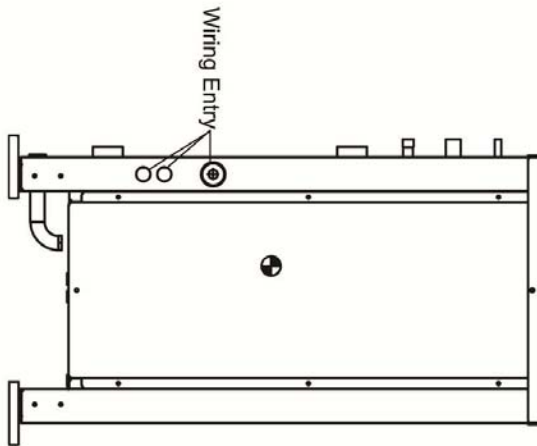
Tag #: \_\_\_\_\_  
 Date: \_\_\_\_\_  
 PO No.: \_\_\_\_\_



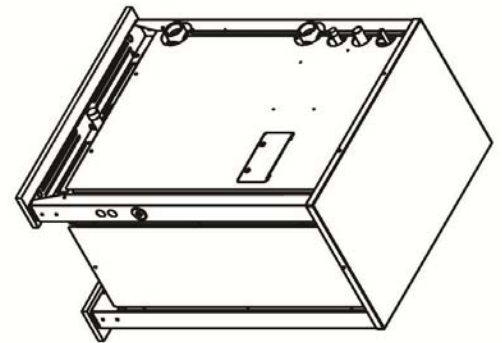
**Top View**



**Side View**



**Isometric**



X	13-1/2"
Y	9-13/16"
Z	16-1/2"
W	29-3/4"
D	19-3/4"
H	39-1/4"
L1	6-5/8"
L2	25"
L3	29-1/4"
L4	32-1/2"
L5	35-15/16"
L6	3-1/8"
L7	2-1/4"
L8	14-3/4"
M1	18-1/4"
M2	3/4"
M3	2-7/16"
M4	24-13/16"