

Date: \_\_\_\_\_ For:  File  Resubmit  
 PO No.: \_\_\_\_\_  Approval  Other \_\_\_\_\_  
 Architect: \_\_\_\_\_ GC: \_\_\_\_\_  
 Engr: \_\_\_\_\_ Mech: \_\_\_\_\_  
 Rep: \_\_\_\_\_  
 (Company) (Project Manager)



**ARUB072BTE4**  
 Multi V™ IV Heat Recovery  
 6.0 Ton Outdoor Unit

**Performance:**

**Cooling Mode:**

Nominal Capacity (Btu/h)	72,000
Power Input <sup>1</sup> (kW)	4.37

**Heating Mode:**

Nominal Capacity (Btu/h)	81,000
Power Input <sup>1</sup> (kW)	5.02

Nominal Capacity is outside the scope of AHRI Standard 1230 and based on the following conditions:

Indoor: 80°F DB / 67°F WB      Indoor: 70°F DB  
 Outdoor: 95°F DB      Outdoor: 47°F DB / 43°F WB

**Electrical:**

Power Supply (V/Hz/Ø)	208-230/60/3
MOP (A)	40
MCA (A)	25.3
Rated Amps (A)	21.0
Compressor A (A)	17.0
Compressor B (A)	-
Fan (A)	4.0

**Piping:**

Refrigerant Charge (lbs)	16.9
Liquid Line (in, OD)	3/8
Vapor Line High (in, OD)	5/8
Vapor Line Low (in, OD)	3/4

**Standard Features:**

- HiPOR (high pressure oil return)
- Smart Oil Control
- Split Coil Defrost
- Night Quiet Operation
- Fault Detection and Diagnosis

**Optional Accessories:**

- Air Guide - PRAGX2S0 (1 required)
- Hail Guard Kit - ZHGDKA01A (1 Required)
- Low Ambient Baffle Kit - ZLABKA01A (1), Control Kit - PRVC2 (1 Required)

**\*\*(-9.9°F achieved only when all IDU's are operating in cooling mode. Does not impact synchronous operating range.)**

**Operating Range:**

Cooling (°F DB)**	14-122
Heating (°F WB)	-13 - 61
Synchronous	
Cooling Based (°F DB)	14 – 81
Heating Based (°F WB)	14 – 61

**Unit Data:**

Refrigerant Type	R410A
Refrigerant Control	EEV
Max Number of Indoor Units <sup>2</sup>	13
Sound Pressure <sup>3</sup> dB(A)	58.5
Net Unit Weight (lbs)	430
Shipping Weight (lbs)	452
Communication Cable <sup>4</sup> (No. x AWG)	2 x 18
Heat Exchanger Coating	GoldFin™

**Compressor:**

Compressor Type	HSS DC Scroll
Compressor Quantity	1
Oil/Type	PVE/FVC68D

**Fan:**

Type	Propeller
Quantity	1
Motor/Drive	Brushless Digitally Controlled/Direct
Air Flow Rate (CFM)	7,400

**Notes:**

- 1.For AHRI ratings, refer to the AHRI website <http://www.ahridirectory.org>.
- 2.The combination ratio must be between 50 – 130%.
- 3.Sound Pressure levels are tested in an anechoic chamber under ISO Standard 3745.
- 4.All communication cable to be minimum 18 AWG, 2-conductor, stranded, shielded and must comply with applicable local and national code.
- 5.Nominal data is rated 0 ft above sea level, with 25 ft of refrigerant line per indoor unit and a 0 ft level difference between outdoor and indoor units. All capacities are net with a combination ratio between 95-105%.
- 6.Power wiring cable size must comply with the applicable local and national code.
- 7.The voltage tolerance is ± 10%.



# ARUB072BTE4

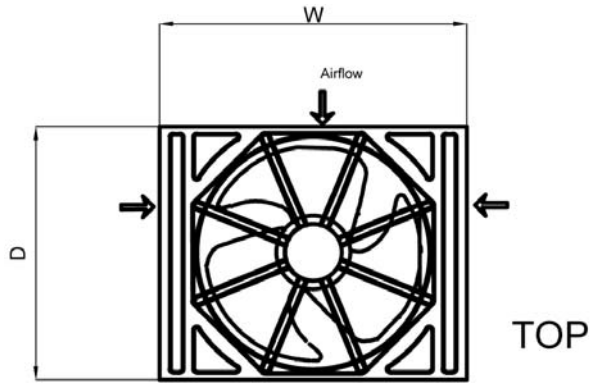
Multi V™ IV Heat Recovery  
6.0 Ton Outdoor Unit



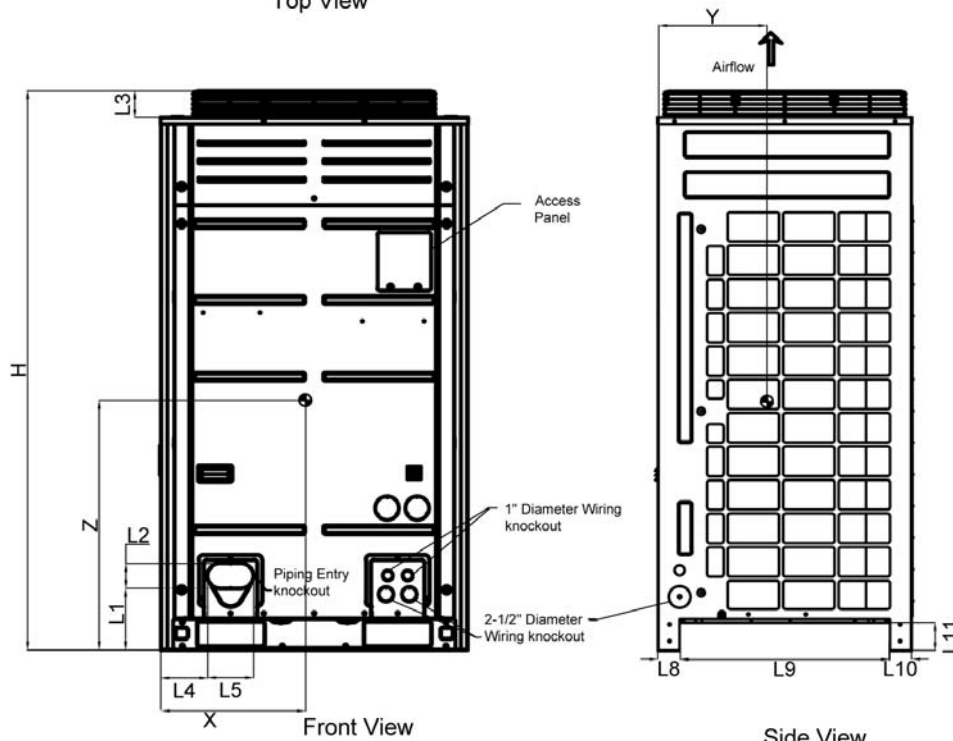
Tag #:

Date:

PO No.:

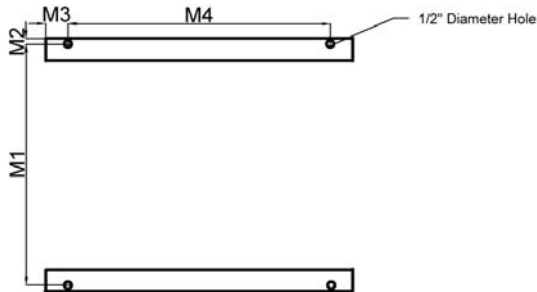


Top View



Front View

Side View



Bottom Mounting Holes

W	36-1/4"
D	29-15/16"
H	66-1/8"
L1	7-1/4"
L2	2-15/16"
L3	3-1/8"
L4	5-1/2"
L5	5-3/8"
L6	N/A
L7	2-9/16"
L8	2-9/16"
L9	24-3/16"
L10	2-9/16"
L11	3-5/16"
M1	29-1/16"
M2	7/16"
M3	2-5/8"
M4	31-3/16"

### Center of Gravity

X	17-5/8"
Y	13-1/2"
Z	29-5/8"

Note - All dimensions have a tolerance of ± 0.25 in.

= Center of Gravity