

Date: _____ For: File Resubmit
 PO No.: _____ Approval Other _____
 Architect: _____ GC: _____
 Engr: _____ Mech: _____
 Rep: _____
(Company) (Project Manager)



ARUN072BTE4
 Multi V™ IV Heat Pump
 6.0 Ton Outdoor Unit



Performance:

Cooling Mode:

Nominal Capacity (Btu/h)	72,000
Power Input ¹ (kW)	4.37

Heating Mode:

Nominal Capacity (Btu/h)	81,000
Power Input ¹ (kW)	5.02

Nominal Capacity is outside the scope of AHRI Standard 1230 and based on the following conditions:

Indoor: 80°F DB / 67°F WB Indoor: 70°F DB
 Outdoor: 95°F DB Outdoor: 47°F DB / 43°F WB

Electrical:

Power Supply (V/Hz/Ø)	208-230/60/3
MOP (A)	40
MCA (A)	25.3
Rated Amps (A)	21.0
Compressor A (A)	17.0
Compressor B (A)	-
Fan (A)	4.0

Piping:

Refrigerant Charge (lbs)	16.9
Liquid Line (in, OD)	3/8
Vapor Line (in, OD)	3/4

Standard Features:

- HiPORA (high pressure oil return)
- Smart Oil Control
- Split Coil Defrost
- Night Quiet Operation
- Fault Detection and Diagnosis

Optional Accessories:

- Air Guide - PRAGX2S0
- Low Ambient Baffle Kit - ZLABKA01A (1), Control Kit - PRVC2 (1 per system)
- Hail Guard Kit - ZHGDKA01A (1 Required)

****Cooling operating range is extended to -9.9 to 122°F if the optional low ambient baffle kit and low ambient control kit are installed.**

Operating Range:

Cooling (°F DB)**	14-122
Heating (°F WB)	-13 - 61

Unit Data:

Refrigerant Type	R410A
Refrigerant Control	EEV
Max Number of Indoor Units ²	13
Sound Pressure ³ dB(A)	58.5
Net Unit Weight (lbs)	430
Shipping Weight (lbs)	452
Communication Cable ⁴ (No x AWG)	2 x 18
Heat Exchanger Coating	GoldFin™

Compressor:

Type	HSS DC Scroll
Quantity	1
Oil/Type	PVE/FVC68D

Fan:

Type	Propeller
Quantity	1
Motor/Drive	Brushless Digitally Controlled/Direct
Air Flow Rate (CFM)	7,400

Notes:

1. For AHRI ratings, refer to the AHRI website <http://www.ahridirectory.org>.
2. The combination ratio must be between 50 – 130%.
3. Sound Pressure levels are tested in an anechoic chamber under ISO Standard 3745.
4. All communication cable to be minimum 18 American wire gage (AWG), 2-conductor, stranded, shielded or unshielded wire and must comply with applicable local and national code. If shielded, the wire must be grounded to the chassis at the outdoor unit only.
5. Nominal data is rated 0 ft above sea level, with 25 ft of refrigerant line per indoor unit and a 0 ft level difference between outdoor and indoor units. All capacities are net with a combination ratio between 95-105%.
6. Power wiring cable size must comply with the applicable local and national code.
7. The voltage tolerance is ± 10%.



ARUN072BTE4

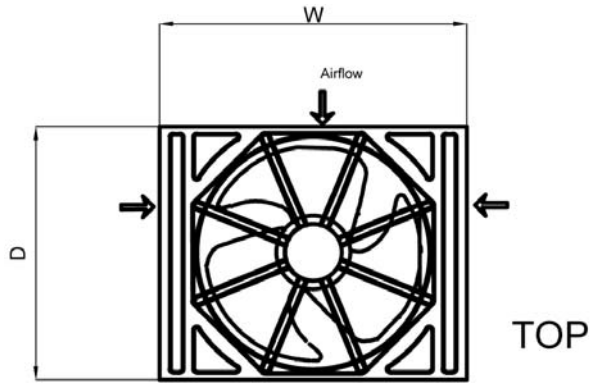
Multi V™ IV Heat Pump
6.0 Ton Outdoor Unit



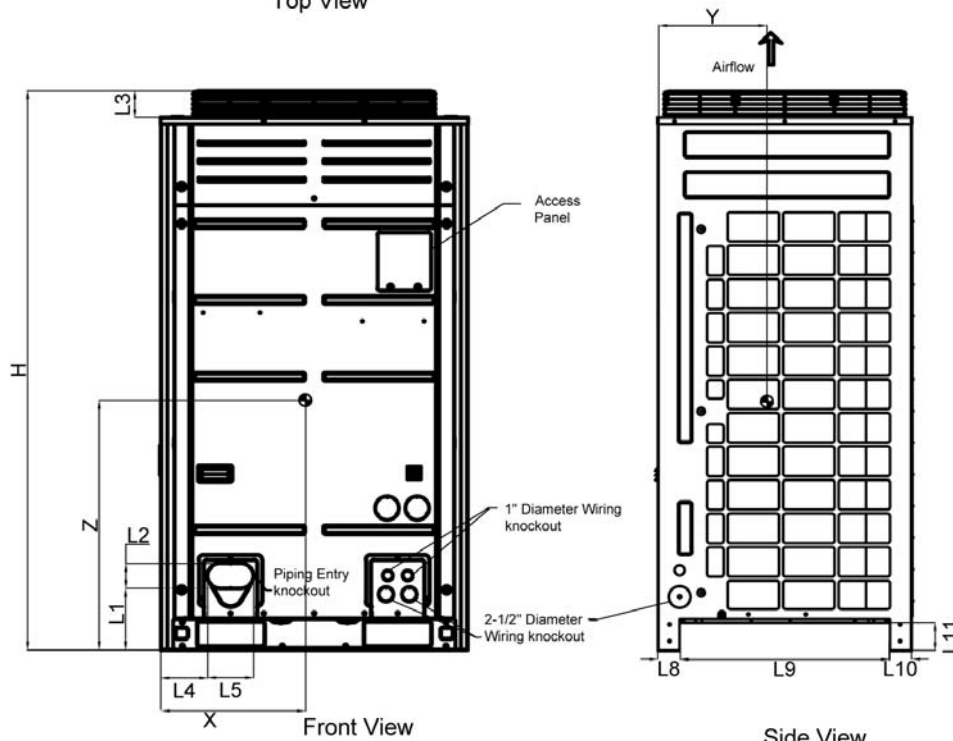
Tag #:

Date:

PO No.:

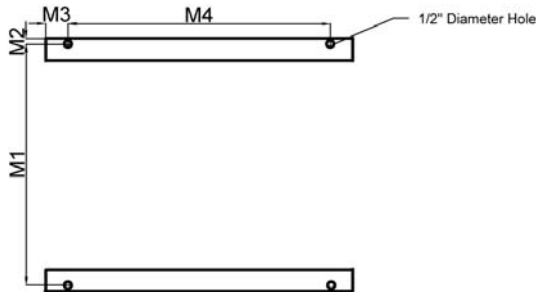


Top View



Front View

Side View



Bottom Mounting Holes

W	36-1/4"
D	29-15/16"
H	66-1/8"
L1	7-1/4"
L2	2-15/16"
L3	3-1/8"
L4	5-1/2"
L5	5-3/8"
L6	N/A
L7	2-9/16"
L8	2-9/16"
L9	24-3/16"
L10	2-9/16"
L11	3-5/16"
M1	29-1/16"
M2	7/16"
M3	2-5/8"
M4	31-3/16"

Center of Gravity

X	17-5/8"
Y	13-1/2"
Z	29-5/8"

Note - All dimensions have a tolerance of ± 0.25 in.

= Center of Gravity