

Date:

For: File Resubmit
 Approval Other _____


PO No.:

Architect: _____ GC: _____

Engr: _____ Mech: _____

Rep: _____
 (Company) _____ (Project Manager)

ZFBXD201A
 Dynamic V8® 2VL Low Profile Air Cleaner



Exclusively distributed by:



Electrical:

Line Voltage ¹	208/60/1
Control Voltage (AC)	Low voltage 24V
Media Voltage ²	9.5 kV @ 40µA
Power Input (W)	72

Standard Features:

- 2 media pads (factory installed)
- Low voltage (24 VAC) quick connect plug with 30' wire (field mounted)
- 208/60/1 volts AC transformer (field mounted)
- Return air (inlet) maintenance access
- Discharge duct flange (field mounted)

Optional Accessories (sold separately)

- 4VL Return Air Plenum Module - ZPLM401A
- 2' X 4' Hinged Bottom Access Grille (louvered or eggcrate)
- Replacement Media Pads (4 pack) - ZFLT1301A
- Replacement Media Pads (24 pack) - ZFLT1302A

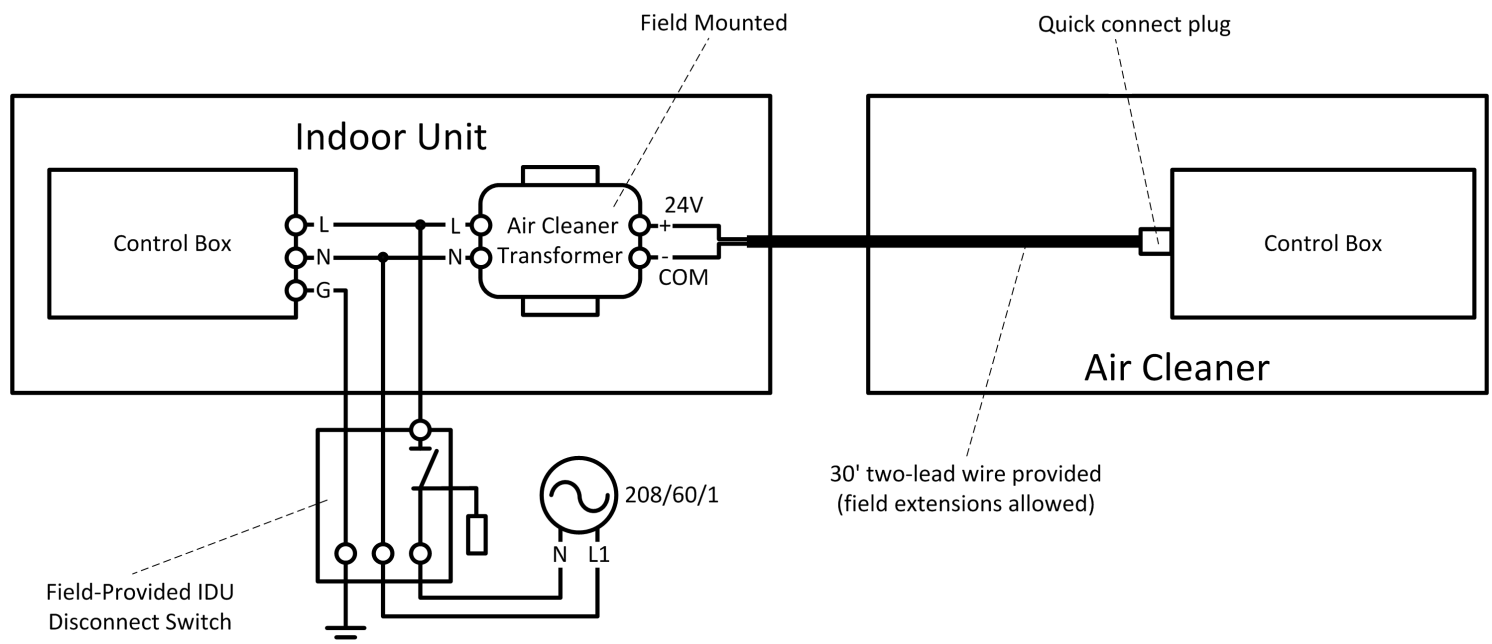
Optional accessories are field installed.

Unit Data:

Net Weight (lbs)	40
Shipping Weight (lbs)	51
Housing Type	Single V configuration (2 media pads)
Maximum Leakage (through case)	<0.01%
Maximum Leakage (around media)	<0.05%
Case Material	24-gauge G90 galvanized steel
Hangers	1/8" galvanized steel (Qty 4)
Control Box Position ³	Right
Duct Connections:	
Inlet	10-32 bolt with G style clip nuts
Discharge	1/2 duct flange (field installed using 6-32 self tap screws)

Notes:

1. Transformer included (for field mounting) near the indoor unit disconnect or other nearby 208/60/1 power source. Line voltage disconnect by others.
2. Total for media pads.
3. Looking into the air stream.
4. The filter cannot be removed unless the factory mounted disconnect plate is removed first.



**Summary Data**

Nominal Dimensions (ea)	44" x 20-3/4" x 1"
Free Area Dimensions (ea)	41-1/4" x 17-3/4"
Area (sq ft)	10.17
Material	Multi layer polyolefin
Media Operating Temperature	-30 - 172
Media Life Expectancy ¹	4 years
US and Foreign Patents	See note 10

Performance (Particulate Contaminant Removal)²:

Date	May 13, 2009	May 13, 2009
Test Number	09-836	09-838
Loading Dust Type	ASHRAE	ASHRAE/No Carbon
Media Polarized	No	Yes
MERV Rating(at 1968 CFM)	MERV 13	MERV 15
Dust Holding Capacity (grams)	643	2,777
Average Arrestance (%)	96.8	99.9
Filter Area (sq ft)	4.0	4.0
Airflow Rate (CFM)	1968	1968
Nominal Face Velocity	492	492
Initial Resistance (in wg)	0.31	0.32
Final Resistance(in wg)	1.40	1.40
E1 (%) Composite Minimum Avg Eff 0.30-1.0 µm	66	94
E2 (%) Composite Minimum Avg Eff 1.0 – 3.0 µm	95	99
E3 (%) Composite Minimum Avg Eff 3.0 – 10.0 µm	100	100

Performance (Gas Phase Contaminant Removal)³:

The Dynamic V8® air cleaning media has a track record of removing gas-phase contaminants from the breathing zone. Contaminants include cigarette smoke, acetone, ammonia, benzene, carbon monoxide, formaldehyde, nicotine, hydrogen sulfide, methyl alcohol, phenol and volatile organic chemicals. For specific gas-phase removal performance, request a complimentary Dynamic Air Quality Solutions Air-Q® Report for your building. The Air Q report performs an outside air resolution analysis based on requirements set forth in ASHRAE standard 62.1-2010, using the Indoor Air Quality (IAQ) procedure. Contact your local LG Applied Products Representative for additional information.

Notes:

- Four year life expectancy based on performance data gathered from the ASHRAE Headquarters Building in Atlanta, Georgia. Media tested is used in a recirculation application serving an office environment. Actual results may vary significantly depending on the concentration level of local pollutants.
- ASHRAE Standard 52.2-2007 test data. Test performed by Blue Haven Technologies, Louisville, KY. Full report available in the Dynamic V8®VL Series Air Cleaner Engineering Manual.
- ASHRAE loading dust contains 72% SAE Standard J726 test dust (fine), 23% carbon dust and 5% milled cotton liners. The carbon dust is very conductive and was removed from the blend while testing with the media polarized.
- Does not face load when media is polarized.
- MERV – Minimum Efficiency Reporting Value
- ASHRAE 52.2-2007 test protocol using ASHRAE Loading Dust less the carbon dust element.
- Efficiency ~ 27-90% per air exchange. Actual results are dependent upon actual jobsite environmental conditions.
- ASHRAE is a registered trade mark of the American Society of Heating, Refrigerating and Air Conditioning Engineers, Inc.
- Dynamic V8 and Air-Q are registered trademark of Environmental Dynamics Group dba Dynamic Air Quality Solutions.
- US Foreign Patents – 7,686,869; 8,070,861; 7,708,813; 7,691,186 and others allowed and pending.

ZFBXD201A

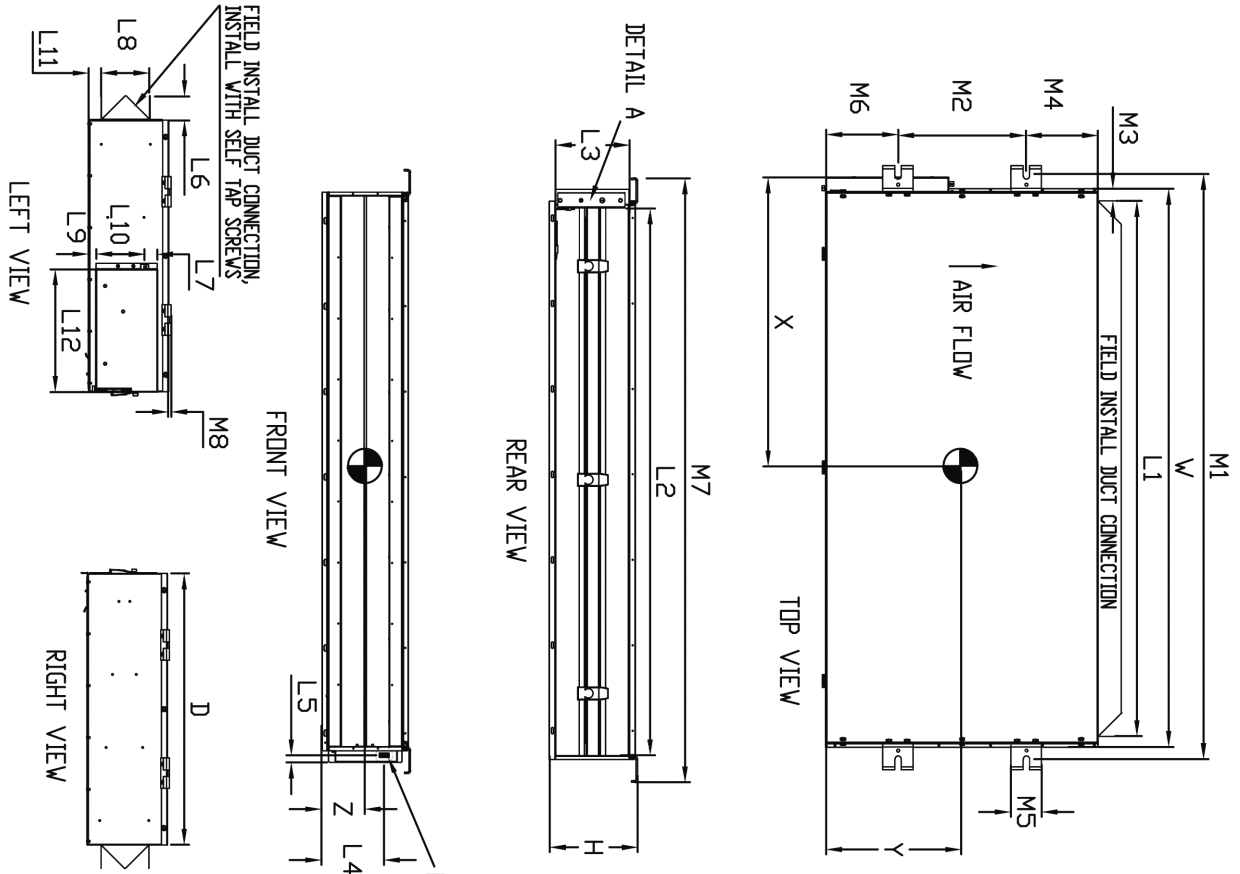
Dynamic V8® 2VL Low Profile Air Cleaner



Tag #:

Date:

PO No.:



W	45-13/16"	L9	9/16"	M1	48-1/2"
H	7-1/8"	L10	4"	M2	10-1/2"
D	22-1/4"	L11	1"	M3	1-3/8"
L1	43-1/2"	L12	10"	M4	5-15/16"
L2	45-1/4"	L13	5/16"	M5	2-1/2"
L3	6"	L14	1/4"	M6	5-15/16"
L4	5"	L15	3/8"	M7	49-1/2"
L5	5/8"	L16	6"	M8	1/4"
L6	1-1/2"	L17	5-5/8"		
L7	1-1/8"	L18	24"		
L8	4"	L19	5"		

All dimensions are ± 1/4".

Center of Gravity	
X	21-3/4"
Y	11"
Z	3-9/16"

