

Job Name/Location:

Tag #:

Date:	For: <input type="checkbox"/> File <input type="checkbox"/> Resubmit
PO No.:	<input type="checkbox"/> Approval <input type="checkbox"/> Other _____
Architect:	GC:
Engr:	Mech:
Rep:	
(Company)	(Project Manager)



ARVU123ZFA2
Energy Recovery Ventilator (ERV)



Performance:

Nominal Capacity (CFM)	1,180
Power Input SH (W)	980

Capacities are in accordance with AHRI Standard 1060.

Heat Exchanger Data:

Air-to-Air Heat Exchanger	Cross flow fixed core
Quantity	2
Temperature Exchange Efficiency (%)	
Cooling (fan speed SH)	59
Heating (fan speed SH)	58
Enthalpy Exchange Efficiency (%)	
Cooling (fan speed SH)	34
Heating (fan speed SH)	49

Electrical:

Power Supply (V/Hz/∅)	208-230/60/1
Rated Amps SH (A)	6.82

Controls Features:

Stand Alone Mode:

- Can be operated independently

Ventilation Heat Exchange Mode:

- Draws outdoor air and indoor exhaust air across air-to-air heat exchanger

Ventilation Normal (Bypass) Mode:

- Controls by-pass damper to bypass air-to-air heat exchanger and draw in untempered outdoor air

Optional Accessories:

- LG Programmable Thermostat - PREMTB10U
- PI485 (required for central controller) - PSNFP14A0

Operating Range:

Outdoor Temperature (°F DB)	14-113
-----------------------------	--------

Unit Data:

Sound Pressure SH/H/L dB(A)	45/41/35
Filter	Washable
Quantity	4
Net Unit Weight (lbs)	331
Shipping Weight (lbs)	397

Fan:

Type	Cross Flow
Quantity	4
Motor/Drive	Brushless Digitally Controlled/Direct
Airflow Rate SH/H/L (CFM)	1,177/1,177/942
External Static Pressure SH/H/L (in wg)	0.64/0.36/0.20

Notes:

- 1.SH = super high speed, H = high speed, L = low speed
- 2.All communication cable to be minimum 18 AWG, 2-conductor, stranded, shielded and must comply with applicable local and national code.
- 3.Power wiring cable size must comply with the applicable local and national code.
- 4.Must follow installation instructions in the applicable LG installation manual.



ARVU123ZFA2

Energy Recovery Ventilator (ERV)

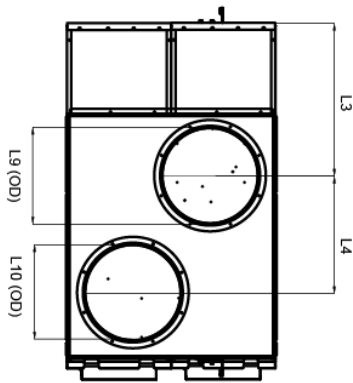


Tag #:

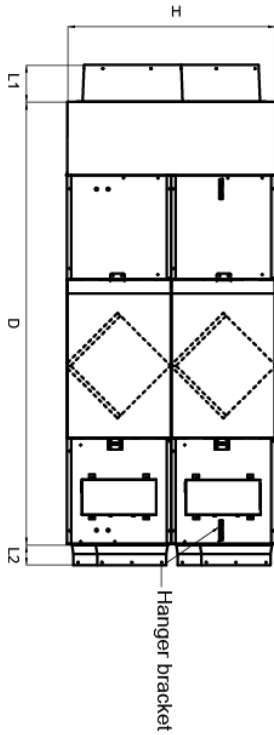
Date:

PO No.:

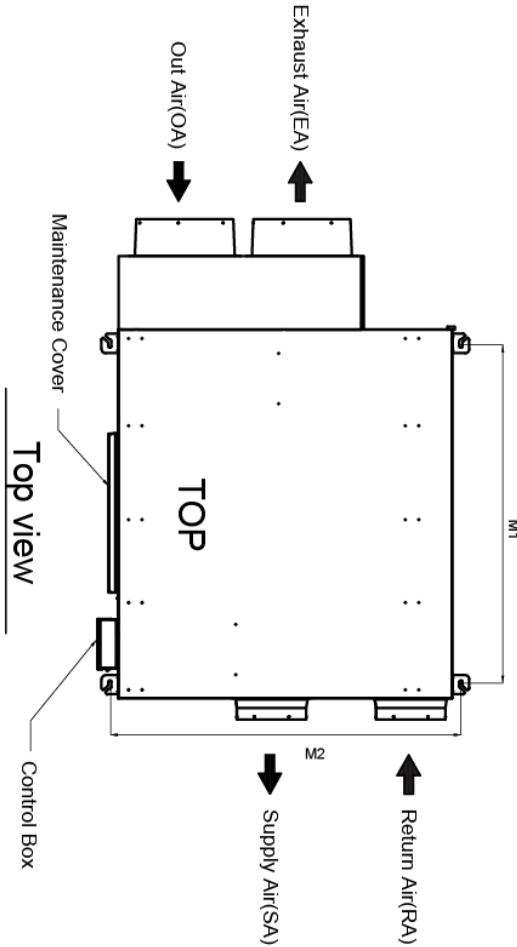
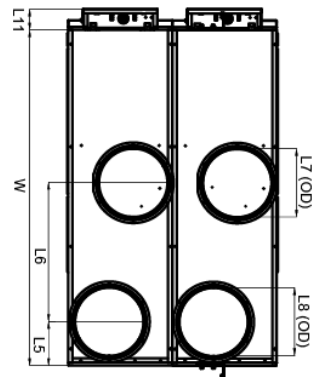
Left Side view



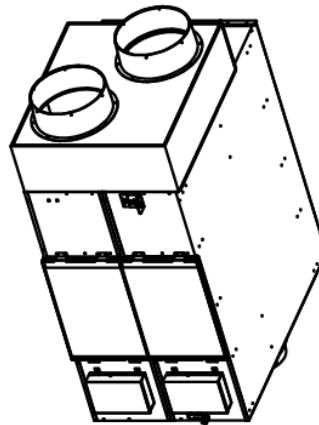
Front view



Right Side view



Isometric view



W	44 7/8"
D	41 13/16"
H	29 1/16"
L1	5 1/8"
L2	3 1/8"
L3	19"
L4	16 1/8"
L5	5 3/4"
L6	20 3/16"
L7	9 9/16"
L8	9 9/16"
L9	13 3/4"
L10	13 3/4"
L11	3 7/8"
M1	38 7/8"
M2	46 5/16"