

Job Name/Location:

Tag #:

Date:

For:  File  Resubmit

PO No.:

Approval  Other \_\_\_\_\_

Architect:

GC:

Engr:

Mech:

Rep:

(Company)

(Project Manager)



**ARVU093ZFA2**  
Energy Recovery Ventilator (ERV)



**Performance:**

Nominal Capacity (CFM)	880
Power Input SH (W)	720

Capacities are in accordance with AHRI Standard 1060.

**Heat Exchanger Data:**

Air-to-Air Heat Exchanger	Cross flow fixed core
Quantity	2
Temperature Exchange Efficiency (%)	
Cooling (fan speed SH)	62
Heating (fan speed SH)	61
Enthalpy Exchange Efficiency (%)	
Cooling (fan speed SH)	37
Heating (fan speed SH)	52

**Electrical:**

Power Supply (V/Hz/∅)	208-230/60/1
Rated Amps SH (A)	5.62

**Controls Features:**

**Stand Alone Mode:**

- Can be operated independently

**Ventilation Heat Exchange Mode:**

- Draws outdoor air and indoor exhaust air across air-to-air heat exchanger

**Ventilation Normal (Bypass) Mode:**

- Controls by-pass damper to bypass air-to-air heat exchanger and draw in untempered outdoor air

**Optional Accessories:**

- LG Programmable Thermostat - PREMTB10U
- PI485 (required for central controller) - PSNFP14A0

**Operating Range:**

Outdoor Temperature (°F DB)	14-113
-----------------------------	--------

**Unit Data:**

Sound Pressure SH/H/L dB(A)	44/41/35
Filter	Washable
Quantity	4
Net Unit Weight (lbs)	331
Shipping Weight (lbs)	397

**Fan:**

Type	Cross Flow
Quantity	4
Motor/Drive	Brushless Digitally Controlled/Direct
Airflow Rate SH/H/L (CFM)	883/883/706
External Static Pressure SH/H/L (in wg)	0.80/0.44/0.24

**Notes:**

- 1.SH = super high speed, H = high speed, L = low speed
- 2.All communication cable to be minimum 18 AWG, 2-conductor, stranded, shielded and must comply with applicable local and national code.
- 3.Power wiring cable size must comply with the applicable local and national code.
- 4.Must follow installation instructions in the applicable LG installation manual.



# ARVU093ZFA2

## Energy Recovery Ventilator (ERV)

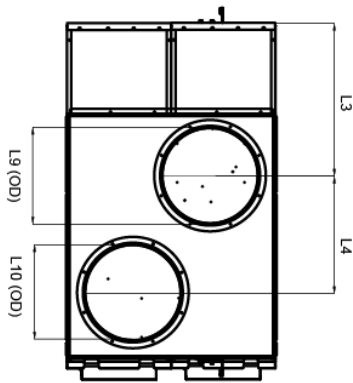


Tag #:

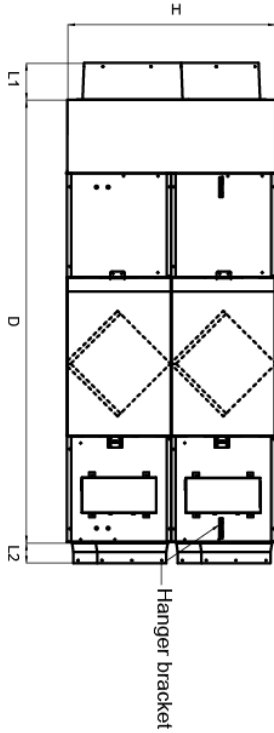
Date:

PO No.:

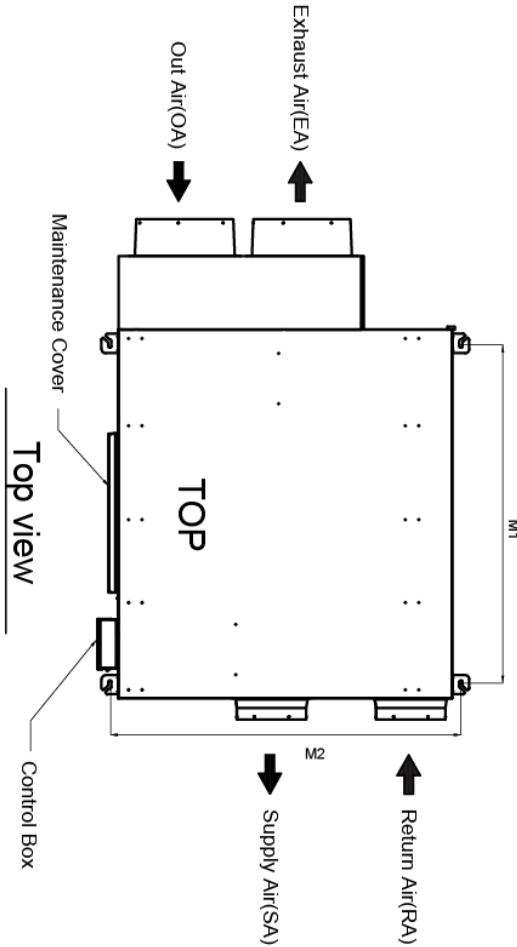
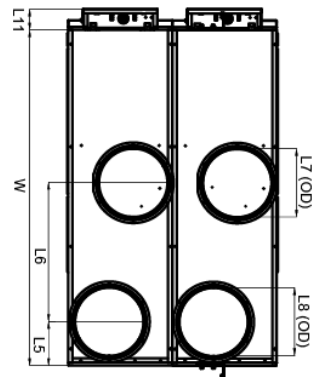
Left Side view



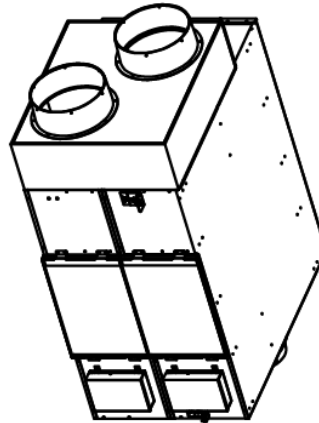
Front view



Right Side view



Isometric view



W	44 7/8"
D	41 13/16"
H	29 1/16"
L1	5 1/8"
L2	3 1/8"
L3	19"
L4	16 1/8"
L5	5 3/4"
L6	20 3/16"
L7	9 9/16"
L8	9 9/16"
L9	13 3/4"
L10	13 3/4"
L11	3 7/8"
M1	38 7/8"
M2	46 5/16"