

Job Name/Location:

Tag #:

Date:

For:  File  Resubmit

PO No.:

Approval  Other \_\_\_\_\_

Architect:

GC:

Engr:

Mech:

Rep:

(Company)

(Project Manager)

**ARNU123NJA2**  
Multi V™ Vertical /Horizontal Air Handling Unit  
12,000 Btu/h Indoor Unit



**Performance:**

Cooling Mode:

Total Cooling Capacity (Btu/h)	12,000
Heating Capacity (Btu/h)	13,500
Power Input <sup>1</sup> (W)	80

Cooling Nominal Test Conditions:  
Indoor: 80°F DB / 67°F WB  
Outdoor: 95°F DB / 75°F WB

Heating Nominal Test Conditions:  
Indoor: 70°F DB / 59° WB  
Outdoor: 47°F DB / 43°F WB

**Electrical<sup>2</sup>:**

Power Supply (V/Hz/Ø)	208-230/60/1
Rated Amps (A)	0.39

**Piping:**

Refrigerant:

Liquid Line (in, OD)	1/4
Vapor Line (in, OD)	1/2

Condensate:

Condensate Line (in, OD)	3/4 FPT
Factory Installed Pump	No

**Controls Features:**

- Auto Operation
- Auto Restart
- Child Lock
- Dual Thermistor Control
- E.S.P. Control
- Group Control
- Hot Start
- Self Diagnostics
- Sleep Mode
- Soft Dry (Dehumidification)
- Timer (On/Off)
- Fan Speed Control

**Optional Accessories:**

- LG Programmable Thermostat - PREMTB10U
- Simple Controller with Mode (Black) - PQRCVCL0Q
- Simple Controller with Mode (White) - PQRCVCL0QW
- Simple Controller without Mode (Black) - PQRCHCA0Q
- Simple Controller without Mode (White) - PQRCHCA0QW
- Dry Contact Unit (1 contact, 24 VAC external power) - PQDSB1
- Dry Contact with Economizer Interface- PQDSBC1
- Dry Contact for Third Party Thermostat - PQDSBNGCM1
- Wall Mounted Temperature Sensor - PQRSTA0

**Entering Mixed Air:**

Cooling Max <sup>3</sup> (°F WB)	76
Heating Min (°F DB)	59

**Unit Data:**

Refrigerant Type	R410A
Refrigerant Control	EEV
Sound Pressure <sup>4</sup> dB(A) (H/M/L)	41/41/39
Net Unit Weight (lbs)	117
Shipping Weight (lbs)	140

**Fan:**

Type	Sirocco
Quantity	1
Airflow Rate (High Static Mode) H/M/L (CFM)	480/480/380
External Static Pressure <sup>5</sup> (in wg)	0.500

**Standard Features:**

- Access Panel for Field Supplied Air Filter
  - (16 x 20 x 1)

**Notes:**

- 1.The Power Input is rated at high speed.
- 2.Electrical data listed is without an electric heat kit accessory option. The addition of an electric heat kit accessory option will change the electrical data.
- 3.See Engineering Manual for sensible and latent capacities.
- 4.Sound pressure levels are tested in an anechoic chamber under ISO Standard 3745.
- 5.All communication cable to be minimum 18 AWG, 2-conductor, stranded, shielded and must comply with applicable local and national code.
- 6.Power wiring cable size must comply with the applicable local and national code.
- 7.Adjust fan speed to correct for static pressure increases when using field supplied air filter or heat kit.
- 8.Must follow installation instructions in the applicable LG installation manual.



# ARNU123NJA2

Multi V™ Vertical /Horizontal Air Handling Unit

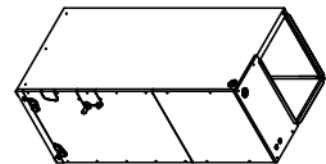
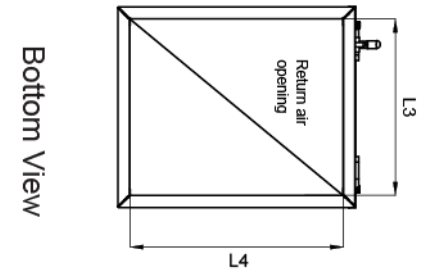
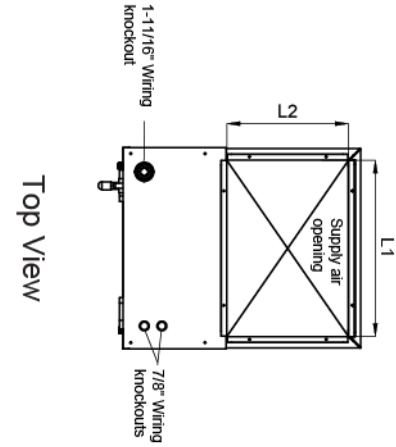
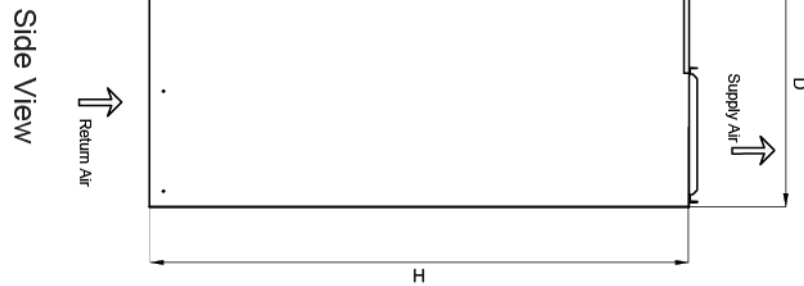
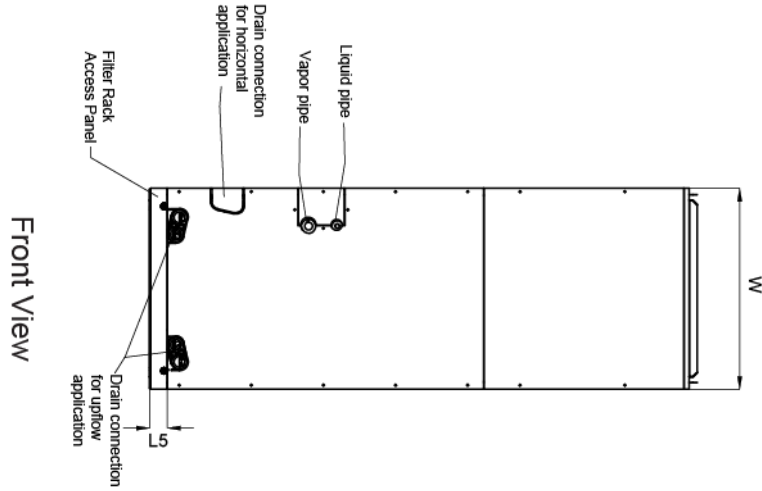
12,000 Btu/h Indoor Unit



Tag #:

Date:

PO No.:



W	18"
D	21 1/4"
H	48 5/8"
L1	17"
L2	12 1/8"
L3	17 1/2"
L4	20"
L5	1 9/16"

Note – All dimensions have a tolerance of ±