

Job Name/Location:

Tag #:

Date:

For: File Resubmit

PO No.:

Approval Other _____

Architect: _____ GC: _____

Engr: _____ Mech: _____

Rep:

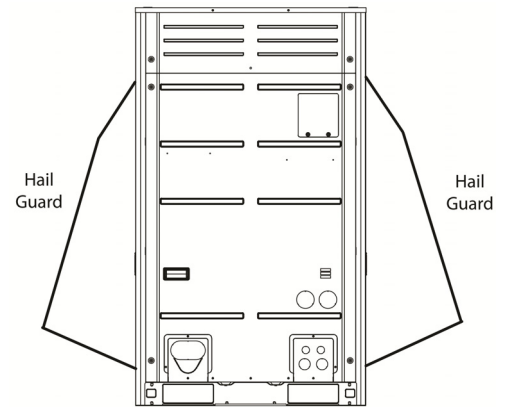
(Company)

(Project Manager)

Exclusively manufactured by:
Washington Metal Fabricators

ZHGDKA01A

Multi V™ Hail Guard Kit for 6 Ton Outdoor Unit



Each kit comes with:

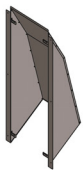
- Right hail guard
- Left hail guard
- Rear hail guard
- (50) #10 x 1/2" self drilling hex head screws

Fitting Properties:

Color	Warm Gray
Material	20 GA Sheet Metal

Hail Guard Kit Selection Matrix

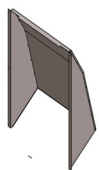
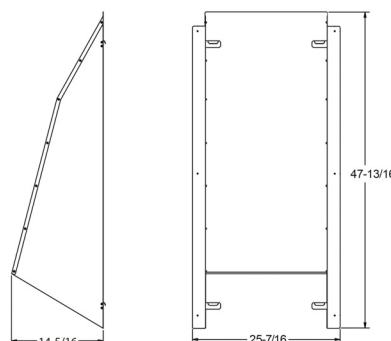
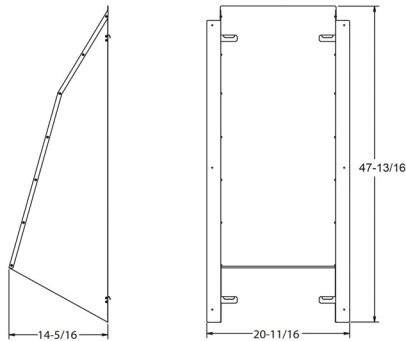
Outdoor Unit	Required Accessory Quantities	
	ZHGDKA01A	ZHGDKA04A
ARUN072BTE4 / ARUN072DTE4 ARUB072BTE4 / ARUB072DTE4	1	



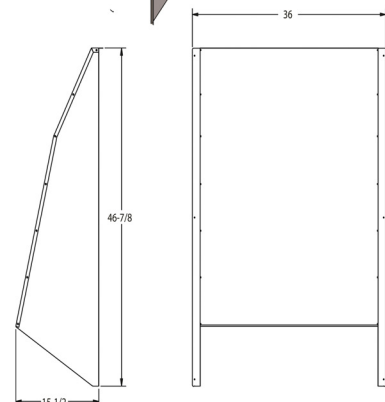
Left Hail Guard



Right Hail Guard



Rear Hail Guard



For continual product development, LG reserves the right to change specifications without notice.