

Date: \_\_\_\_\_

For:  File  Resubmit  
 Approval  Other \_\_\_\_\_

PO No.: \_\_\_\_\_

Architect: \_\_\_\_\_ GC: \_\_\_\_\_

Engr: \_\_\_\_\_ Mech: \_\_\_\_\_

Rep: \_\_\_\_\_  
 (Company) (Project Manager)

Exclusively distributed by:

**ZGRLRA01A**  
 Louvered Return Air Grille  
 For Dynamic V8® Air Cleaner



**Unit Data:**

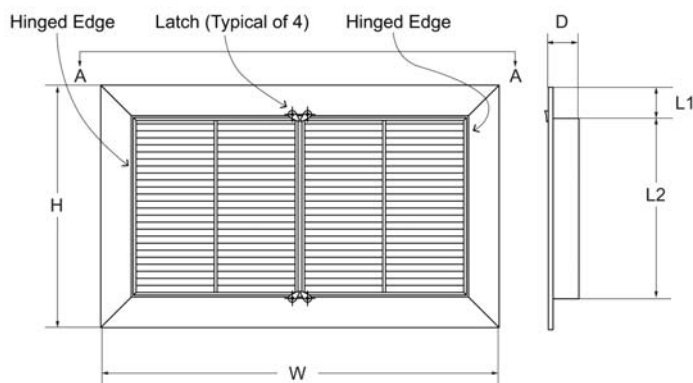
Net Weight (lbs)	14
Shipping Weight (lbs)	16
Line of Sight	Not visible

**Fitting Properties:**

Material	Aluminum
Finish	White
Pattern	37° curved blade

**Standard Features:**

- The frame is a drop-in, near flush mount design that fits a standard 24" x 48" T-Bar ceiling grid system
- Custom engineered to provide easy access for replacing the air cleaner media
- Frame opening allows easy removal of air cleaner media pads
- Manufactured with extruded aluminum coating with a white baked enamel finish
- Hinges not visible from the occupied space
- Grille frame is equipped with two louvered (ZGRLRA01A) hinged grille panels



All dimensions are ± 1/8"

W	47-3/4"
H	23-3/4"
D	1-11/16"
L1	1-1/4"
L2	21-7/16"
L3	45-7/16"
L4	21-1/2"

