

Job Name/Location:

Tag #:

Date:

For:  File  Resubmit

PO No.:

Approval  Other

Architect:

GC:

Engr:

Mech:

Rep:

(Company)

(Project Manager)



Ventilation Kit  
PTVK410



Flange  
PTVK420

## PTVK410 + PTVK420 Ventilation Kit



### Unit Data:

Ventilation Kit Net Weight (lbs)	9.9
Ventilation Kit Shipping Weight (lbs)	15.0
Flange Net Weight (lbs)	4.0
Flange Shipping Weight (lbs)	6.1

### Insulation Properties:

Material	EPS Mold Guide and EPDM
----------	-------------------------

### Entering Mixed Air:

Cooling Max (°F WB)	76
Heating Min (°F DB)	59

### Standard Features:

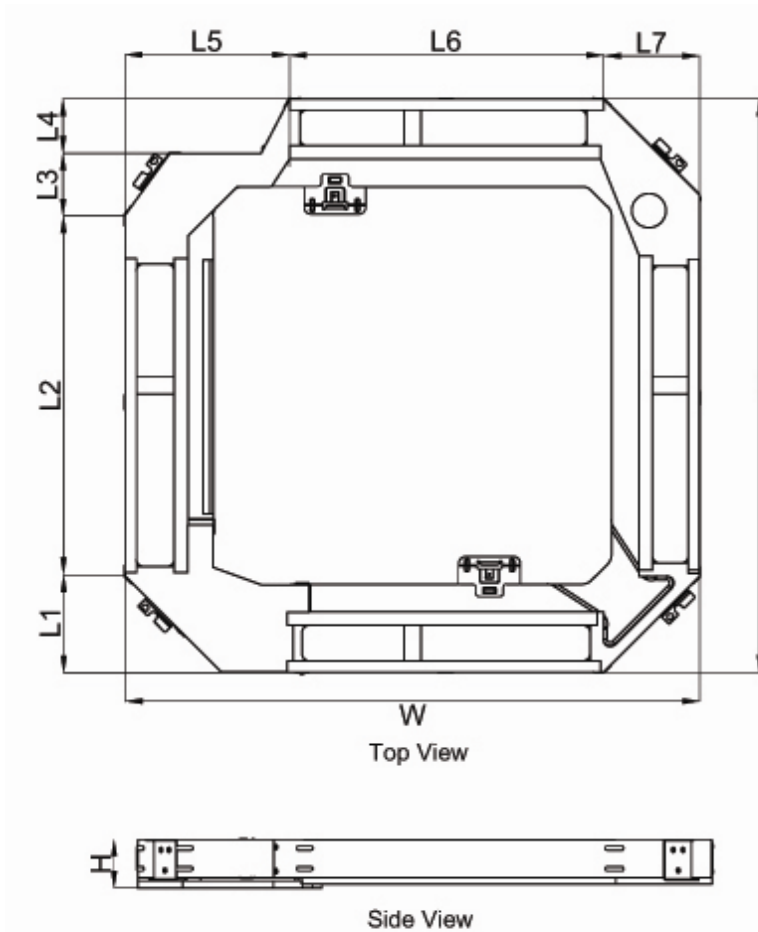
- Easy to install
- Tested in accordance with UL 723 Test for Surface Burning Characteristics of Building Materials (ASTM E84)

### Notes:

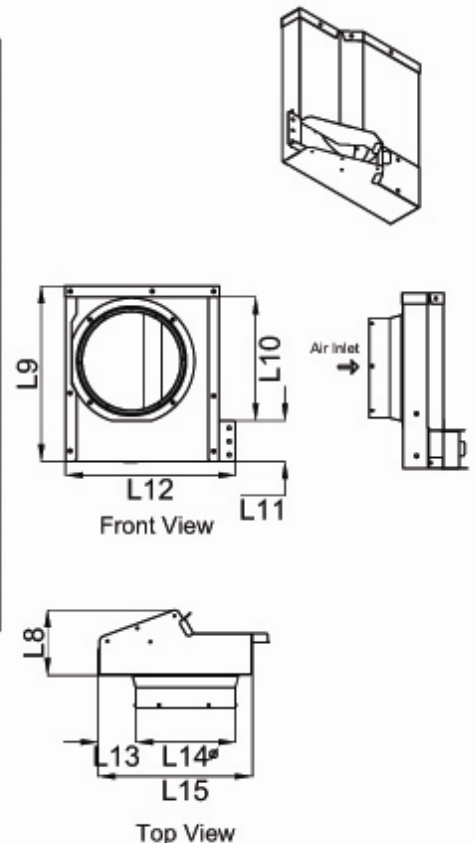
1. The PTVK410 + PTVK420 is for use with TP, TN and TM 4-Way Ceiling Cassettes.
2. Must follow installation instructions in the applicable LG installation manual.

Ventilation Kit-PTVK410

Flange- PTVK420



W	33"
D	33"
H	2 3/16"
L1	5 1/2"
L2	20 3/4"
L3	3 1/2"
L4	3 1/8"
L5	9 1/2"
L6	18"
L7	5 1/2"
L8	3 3/4"
L9	10 1/8"
L10	7 1/8"
L11	2 3/8"
L12	9 3/4"
L13	2 3/16"
L14	5 3/4"
L15	8 7/8"



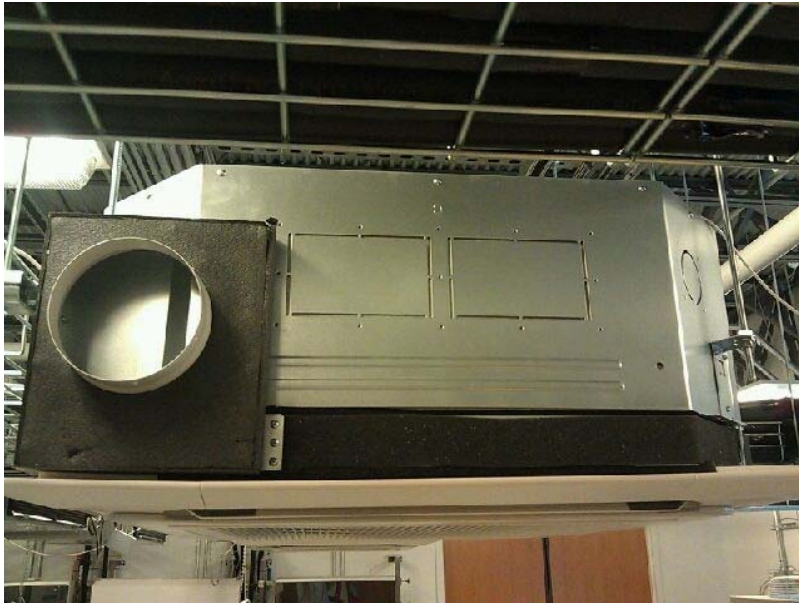
**PTVK410 + PTVK420**  
Ventilation Kit



Tag #: \_\_\_\_\_

Date: \_\_\_\_\_

PO No.: \_\_\_\_\_



**Airflow Capacity Versus Static Pressure:**

**4 Way Ceiling Cassette (TP/TN/TM)**

