

Job Name/Location:

Tag #:

Date:

For: File Resubmit

PO No.:

Approval Other _____

Architect:

GC:

Engr:

Mech:

Rep:

(Company)

(Project Manager)

PRAGX2S0

Multi V™ Air Guide



Unit Data:

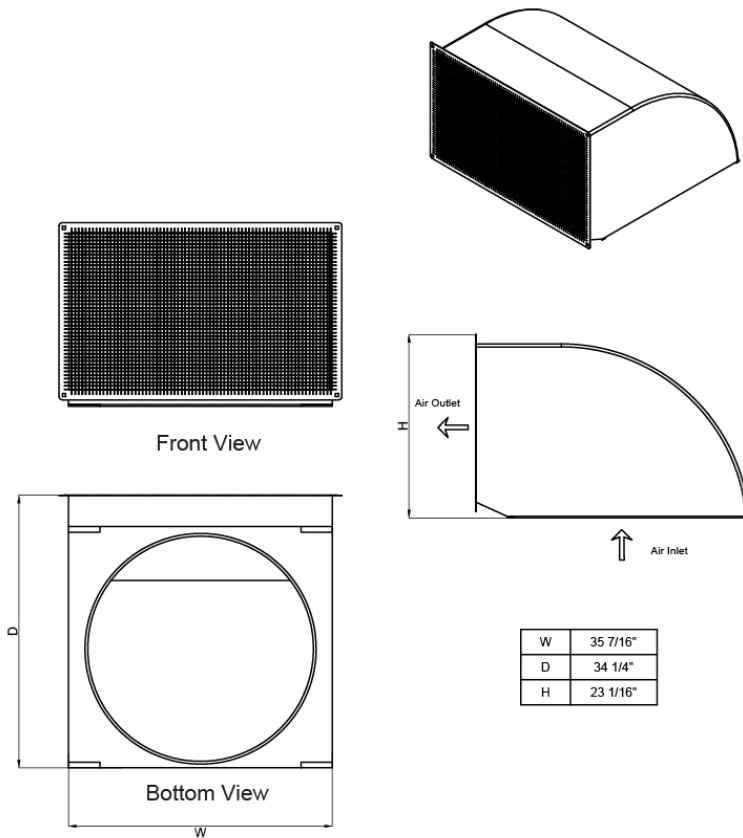
Net Unit Weight (lbs)	12
Shipping Weight (lbs)	22

Fitting Properties:

Color	Warm Gray
Material	Galvanized Steel Sheet

Standard Features:

- Converts vertical discharge into horizontal discharge
- Designed for outdoor discharge air
- Simple and flexible installation



Notes:

Use PRAGX2S0 air guides with UX2 frames which include the following models - ARUN072BT3, ARUN072DT3, ARUN072BTE4, ARUN072DTE4, ARUB072BT3, ARUB072DT3, ARUB072BTE4 and ARUB072DTE4.