

Date: _____

PO No.: _____

Architect: _____

Engr: _____

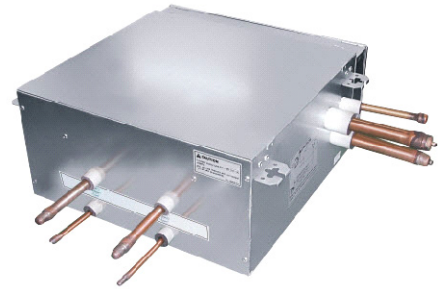
Rep: _____
(Company)

For: File Resubmit
 Approval Other _____

GC: _____

Mech: _____

(Project Manager)



PRHR021A
Multi V™ Heat Recovery Unit



Performance:

Max Port Capacity Btu/h (each port)	54,000
Max Unit Capacity Btu/h (sum of ports)	192,000
Power Input (W)	26

Electrical:

Power Supply (V/Hz/∅)	208-230/60/1
Rated Amps (A)	0.08

Piping:

Refrigerant:

Port Liquid Line (in, OD)	3/8
Port Vapor Line (in, OD)	5/8
System Liquid Line (in, OD)	3/8
System Vapor Line High (in, OD)	3/4
System Vapor Line Low (in, OD)	7/8

Standard Features:

- Allows connected indoor units to be in cooling or heating mode simultaneously
- Internal components are insulated
 - External casing insulation is not needed¹
 - Condensate drain not needed
- Series or parallel connection with additional heat recovery units
- Flexible placement for service access or pipe routing
- Access panels
 - Top panel for solenoid valve heads
 - Rear panel for control access
 - Bottom panel for refrigerant circuit

Unit Data:

Refrigerant Type	R410A
Number of Indoor Unit Ports ²	2
Sound Pressure Data:	
Cooling Mode dB(A)	35.2
Heating Mode dB(A)	35.1
Simultaneous dB(A)	43.3
Net Unit Weight (lbs)	40
Shipping Weight (lbs)	48

Notes:

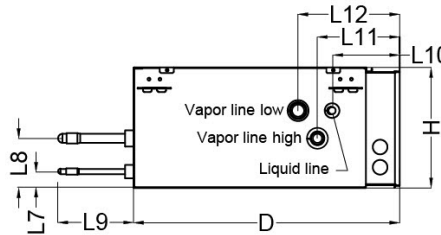
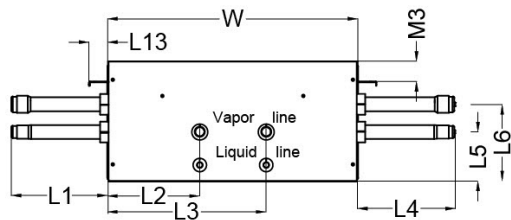
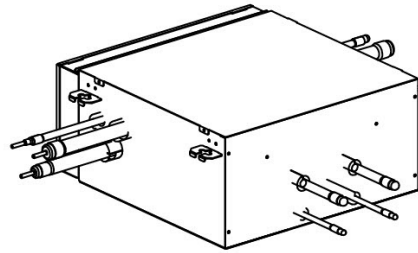
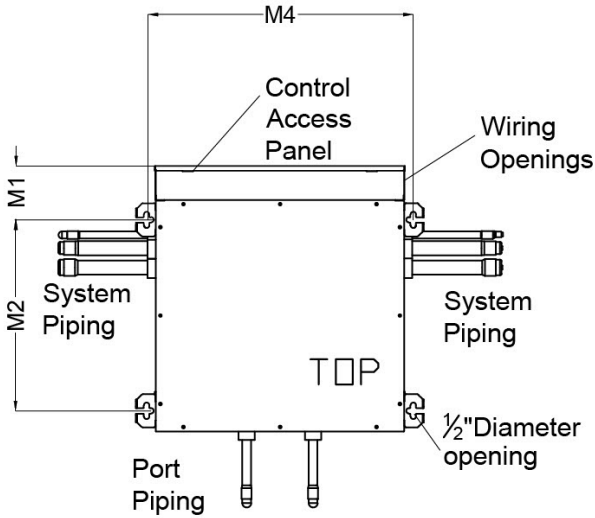
- 1.All refrigerant pipes require insulation.
- 2.Each port can allow up to 8 indoor units with a maximum capacity of 48 MBh per port.
- 3.All communication cable to be minimum 18 AWG, 2-conductor, stranded, shielded and must comply with applicable local and national code.
- 4.Kit components must be kept dry and free of debris before installation.
- 5.Must follow installation instructions in the applicable LG installation manual.
- 6.Power wiring cable size must comply with the applicable local and national code.
- 7.This unit comes with a dry nitrogen charge.



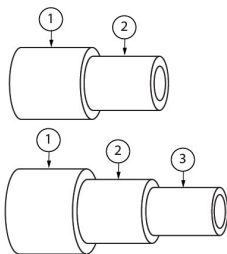
PRHR021A
Multi V™ Heat Recovery Unit



Tag #: _____
Date: _____
PO No.: _____



W	17-7/8"
H	8-5/8"
D	18-15/16"
L1	6-7/8"
L2	6-5/8"
L3	11-3/8"
L4	6-7/8"
L5	3-1/2"
L6	5-1/2"
L7	1-3/16"
L8	3-9/16"
L9	5-7/16"
L10	4-3/4"
L11	5-3/4"
L12	7-1/4"
L13	1-1/4"
M1	3-3/4"
M2	13-5/8"
M3	1-1/2"
M4	18-15/16"



Reducer Dimensions (in)					
		1	2	3	Quantity
Indoor Unit	Liquid Line	3/8 OD	1/4 OD	-	2
	Vapor Line	5/8 OD	1/2 OD	-	2
HR Unit	Liquid Line	3/8 OD	1/4 OD	-	2
	Vapor Line Low	5/8 OD	1/2 OD	-	2
		7/8 OD	3/4 OD	5/8 OD	2
	Vapor Line High	1/2 OD	3/8 OD	-	2
3/4 OD		5/8 OD	1/2 OD	2	