

Date: _____ For: File Resubmit
 PO No.: _____ Approval Other _____
 Architect: _____ GC: _____
 Engr: _____ Mech: _____
 Rep: _____
 (Company) (Project Manager)



ARNU243TMC2
 Multi V™ 4-Way Ceiling Cassette
 24,200 Btu/h Indoor Unit

Performance:

| | |
|--------------------------------|--------|
| Total Cooling Capacity (Btu/h) | 24,200 |
| Heating Capacity (Btu/h) | 27,300 |
| Power Input ¹ (W) | 144 |

Cooling Nominal Test Conditions: Heating Nominal Test Conditions:
 Indoor: 80°F DB/67°F WB Indoor: 70°F DB
 Outdoor: 95°F DB Outdoor: 47°F DB/43°F WB

Electrical:

| | |
|-----------------------|--------------|
| Power Supply (V/Hz/∅) | 208-230/60/1 |
| Rated Amps (A) | 0.56 |

Piping:

Refrigerant:

| | |
|----------------------|-----------|
| Liquid Line (in, OD) | 3/8 Flare |
| Vapor Line (in, OD) | 5/8 Flare |

Condensate:

| | |
|-------------------------------------|-----|
| Condensate Line (in, OD) | 1 |
| Factory Installed Pump ² | Yes |

Controls Features:

- Auto changeover (Heat Recovery Only)
- Auto operation
- Auto restart
- Child lock
- Dual thermistor control
- Forced operation
- Group control
- High ceiling
- Hot start
- Self diagnostics
- Sleep mode
- Timer (on/off)
- Weekly schedule
- Soft dry (dehumidification)
- Auto direction/swing (up/down)
- Fan speed control
- Chaos wind (random fan speed)
- Swirl wind (alternating vanes)
- Jet cool (fast cooling)

Required Accessories:

- Grille Kit (PT-UMC1)

Optional Accessories:

- Wireless Handheld Remote Controller - PQWRHDF0
- LG Programmable Thermostat - PREMTB10U
- Simple Controller with Mode (Black) - PQRVCVCL0Q
- Simple Controller with Mode (White) - PQRVCVCL0QW
- Simple Controller without Mode (Black) - PQRCHCA0Q
- Simple Controller without Mode (White) - PQRCHCA0QW
- Dry Contact Unit (1 contact, 24 VAC external power) - PQDSB1
- Dry Contact with Economizer Interface- PQDSBC1
- Dry Contact for Third Party Thermostat - PQDSBNGCM1
- Wall Mounted Temperature Sensor - PQRSTA0
- Ventilation Kit - PTVK410 + PTVK420
- Auto Elevation Kit - PTEGMO

Entering Mixed Air:

| | |
|----------------------------------|----|
| Cooling Max ³ (°F WB) | 76 |
| Heating Min (°F DB) | 59 |

Unit Data:

| | |
|---|----------|
| Refrigerant Type | R410A |
| Refrigerant Control | EEV |
| Sound Pressure ⁴ dB(A) (H/M/L) | 41/39/36 |
| Primary Filter Type | Washable |
| Secondary Filter Type | Plasma |
| Net Weight (lbs) | 57 |
| Shipping Weight (lbs) | 64 |
| Grille Weight (lbs) | 13 |
| Grille Shipping Weight (lbs) | 20 |

Fan:

| | |
|--------------------------|---------------------------------------|
| Type | Turbo |
| Quantity | 1 |
| Motor/Drive | Brushless Digitally Controlled/Direct |
| Motor Quantity | 1 |
| Airflow Rate H/M/L (CFM) | 897/812/742 |

Notes:

- 1.The Power Input is rated at high speed.
- 2.Maximum lift is 27 in from bottom of unit.
- 3.See Engineering Manual for sensible and latent capacities.
- 4.Sound Pressure levels are tested in an anechoic chamber under ISO Standard 3745.
- 5.All communication cable to be minimum 18 AWG, 2-conductor, stranded, shielded and must comply with applicable local and national code.
- 6.Power wiring cable size must comply with the applicable local and national code.
- 7.This unit comes with a dry nitrogen charge.
- 8.This data is rated 0 ft above sea level, with 25 ft of refrigerant line per indoor unit and a 0 ft level difference between outdoor and indoor units. All capacities are net with a combination ratio between 95 – 105%.
- 9.Must follow installation instructions in the applicable LG installation manual.



Job Name/Location:

ARNU243TMC2

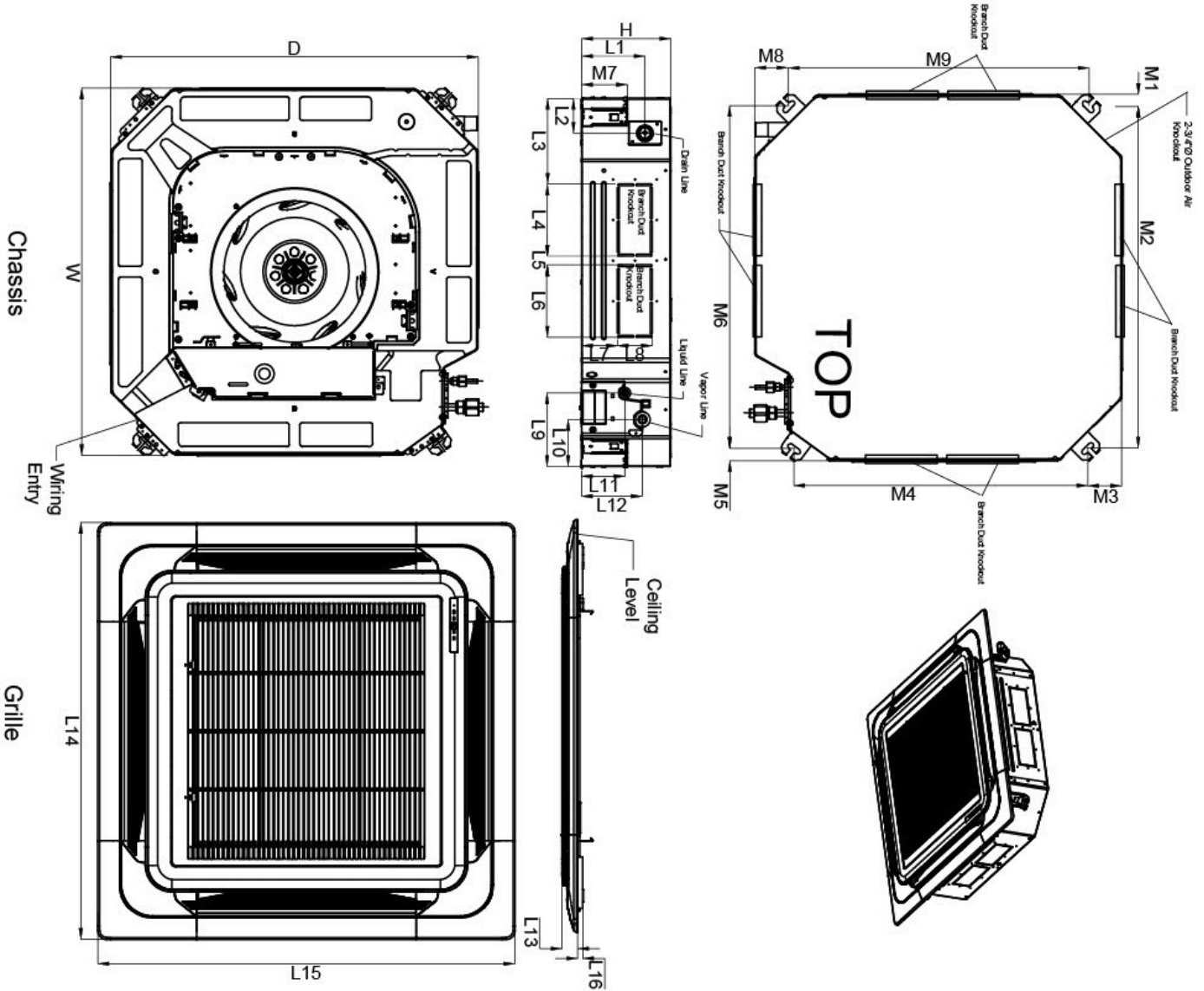
Multi V™ 4-Way Ceiling Cassette
24,200 Btu/h Indoor Unit



Tag #:

Date:

PO No.:



| | |
|-----|-----------|
| W | 33-1/16" |
| H | 11-5/16" |
| D | 33-1/16" |
| L1 | 8-9/16" |
| L2 | 3-1/8" |
| L3 | 7-11/16" |
| L4 | 6-1/2" |
| L5 | 3/4" |
| L6 | 6-1/2" |
| L7 | 4-1/16" |
| L8 | 3-15/16" |
| L9 | 6-5/8" |
| L10 | 4-5/16" |
| L11 | 4" |
| L12 | 5-1/2" |
| L13 | 1-7/16" |
| L14 | 37-3/8" |
| L15 | 37-3/8" |
| L16 | 1/2" |
| M1 | 1-1/16" |
| M2 | 30-15/16" |
| M3 | 3-1/16" |
| M4 | 26-7/16" |
| M5 | 1-1/16" |
| M6 | 30-15/16" |
| M7 | 4-1/8" |
| M8 | 3-1/16" |
| M9 | 26-15/16" |

Note - All dimensions have a tolerance of ± 0.25 in.