

Job Name/Location:

Tag #:

Date:

For: File Resubmit

PO No.:

Approval Other _____

Architect:

GC:

Engr:

Mech:

Rep:

(Company)

(Project Manager)

ARUB432DT3 (a) ARUB144DT3
Multi V™ III Heat Recovery (b) ARUB144DT3
36.0 Ton Outdoor Unit (c) ARUB144DT3



Performance:

Cooling Mode:

Nominal Capacity (Btu/h)	432,000
Power Input ¹ (kW)	30.72

Heating Mode:

Nominal Capacity (Btu/h)	486,000
Power Input ¹ (kW)	31.32

Nominal Capacity is outside the scope of AHRI Standard 1230 and based on the following conditions:

Indoor: 80°F DB / 67°F WB	Indoor: 70°F DB
Outdoor: 95°F DB	Outdoor: 47°F DB / 43°F WB

Electrical: (a) ARUB144DT3 (b) ARUB144DT3 (c) ARUB144DT3

Power Supply (V/Hz/Ø)	460/60/3	460/60/3	460/60/3
MOP (A)	40	40	40
MCA (A)	27.6	27.6	27.6
Rated Amps (A)	24.5	24.5	24.5
Compressor A (A)	12.4	12.4	12.4
Compressor B (A)	9.5	9.5	9.5
Fan (A)	2.6	2.6	2.6
Combined Max Starting Current (A)	86.5		

Piping: (a) ARUB144DT3 (b) ARUB144DT3 (c) ARUB144DT3

Refrigerant Charge (lbs)	20.7	20.7	20.7
Liquid Line ² (in, OD)	1/2	1/2	1/2
Vapor Line High ² (in, OD)	7/8	7/8	7/8
Vapor Line Low ² (in, OD)	1-1/8	1-1/8	1-1/8

Standard Features:

- Night Quiet Operation
- Fault Detection and Diagnosis

Required Accessories:

- Frame Connector Y-branch - ARCNN21
- Frame Connector Y-branch -ARCNN31

Optional Accessories:

- Hail Guard Kit (8-12 ton outdoor units) -ZHGDKA02A (3 required)
- Air Guide (8-12 ton outdoor units) - PRAGX3S0 (6 required)

Operating Range:

Cooling (°F DB)	23 - 122
Heating (°F WB)	-4 - 60
Synchronous	
Cooling Based (°F DB)	14-81
Heating Based (°F WB)	14-60

Unit Data:

Refrigerant Type	R410A
Refrigerant Control	EEV
Max Number of Indoor Units ³	64
Sound Pressure ⁴ dB(A)	63
Net Unit Weight (a) + (b) + (c) (lbs)	617 + 617 + 617
Shipping Weight (a) + (b) + (c) (lbs)	650 + 650 + 650
Communication Cable ⁵ (No x AWG)	2 x 18
Heat Exchanger Coating	GoldFin™

Compressor:

Inverter Scroll Quantity	3
Constant Scroll Quantity	3
Oil/Type	PVE/FVC68D

Fan:

Type	Propeller
Quantity (a) + (b) + (c)	2 + 2 + 2
Motor/Drive	Brushless Digitally Controlled/Direct
Air Flow Rate (a) + (b) + (c) (CFM)	26,400

Notes:

- 1.For AHRI ratings, refer to the AHRI websitehttp://www.ahridirectory.org/.
- 2.For main pipe segment size, refer to the LATS Multi V tree diagram.
- 3.The combination ratio must be between 50-130%.
- 4.Sound Pressure levels are tested in an anechoic chamber under ISO Standard 1996 for the combination of outdoor units.
- 5.All communication cable to be minimum 18 AWG, 2-conductor, stranded, shielded and must comply with applicable local and national code. Cables terminate at each frame.
- 6.Nominal data is rated 0 ft above sea level, with 25 ft of refrigerant line per indoor unit and a 0 ft level difference between outdoor and indoor units. All capacities are net with a combination ratio between 95-105%.
- 7.The voltage tolerance is ± 10%.
- 8.Power wiring cable size must comply with the applicable local and national code. Cables terminate at each frame.
- 9.AHRI 1230 Certification Program includes models up to 300MBh. Refer to AHRI certification directory for corresponding single frame units.

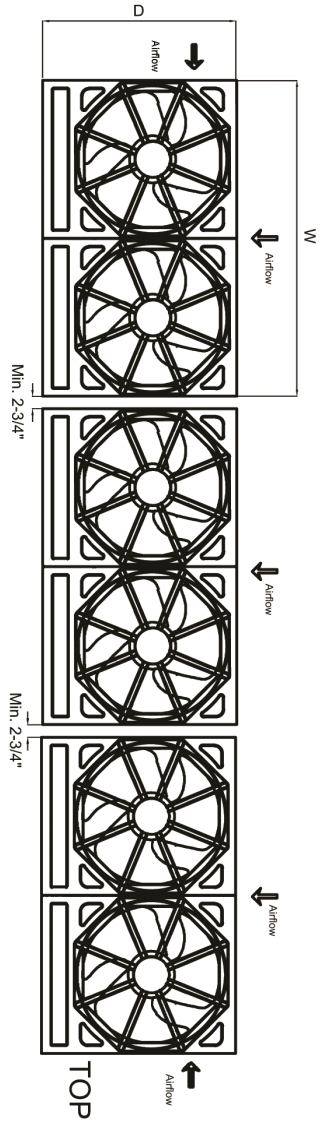
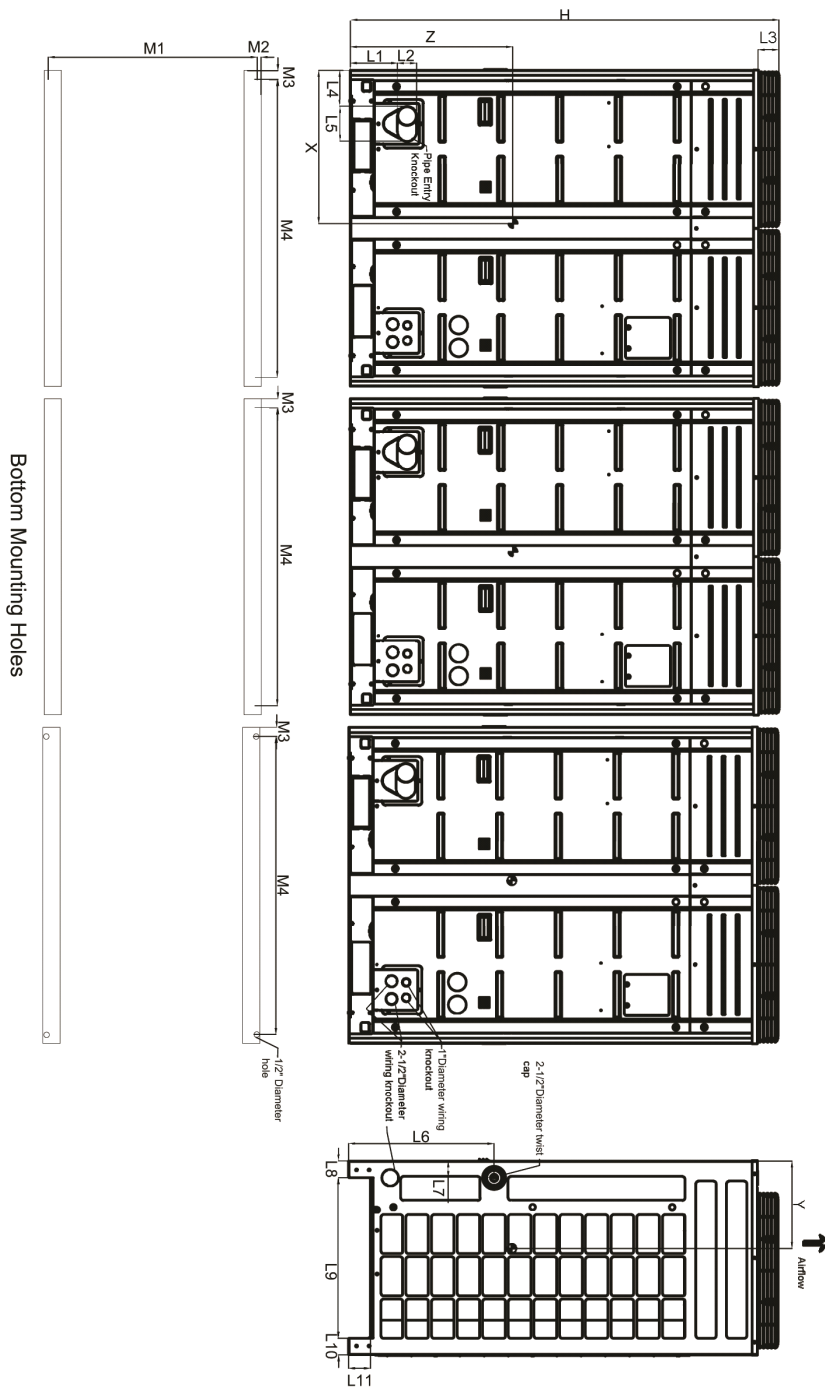


ARUB432DT3
 Multi V™ III Heat Recovery
 36.0 Ton Outdoor Unit

(a) ARUB144DT3
 (b) ARUB144DT3
 (c) ARUB144DT3



Tag #: _____
 Date: _____
 PO No.: _____



Bottom Mounting Holes

Note - All dimensions have a tolerance of ± 0.25 in.
 = Center of Gravity

Center of Gravity	
X	23-1/8"
Y	14-15/16"
Z	25-13/16"

W	48-13/16"
D	29-15/16"
H	66-1/8"
L1	7-1/4"
L2	2-15/16"
L3	3-1/8"
L4	5-1/2"
L5	5-3/8"
L6	22-7/16
L7	2-9/16
L8	2-9/16
L9	24-3/16"
L10	2-9/16"
L11	3-5/16"
M1	29-11/16"
M2	7-1/6"
M3	2-5/8"
M4	43-3/8"