

Date: \_\_\_\_\_ For:  File  Resubmit  
 PO No.: \_\_\_\_\_  Approval  Other \_\_\_\_\_  
 Architect: \_\_\_\_\_ GC: \_\_\_\_\_  
 Engr: \_\_\_\_\_ Mech: \_\_\_\_\_  
 Rep: \_\_\_\_\_  
 (Company) (Project Manager)



**ARNU153TQC2**  
 Multi V™ 4-Way Ceiling Cassette  
 15,400 Btu/h Indoor Unit

**Performance:**

Total Cooling Capacity (Btu/h)	15,400
Heating Capacity (Btu/h)	17,100
Power Input <sup>1</sup> (W)	30

Cooling Nominal Test Conditions: Indoor: 80°F DB/67°F WB Outdoor: 95°F DB  
 Heating Nominal Test Conditions: Indoor: 70°F DB Outdoor: 47°F DB/43°F WB

**Electrical:**

Power Supply (V/Hz/Ø)	208-230/60/1
Rated Amps (A)	0.2

**Piping:**

Refrigerant:

Liquid Line (in, OD)	1/4 Flare
Vapor Line (in, OD)	1/2 Flare

**Condensate:**

Condensate Line (in, OD)	1
Factory Installed Pump <sup>2</sup>	Yes

**Controls Features:**

- Auto changeover (Heat Recovery Only)
- Auto operation
- Auto restart
- Child lock
- Dual thermistor control
- Forced operation
- Group control
- High ceiling
- Hot start
- Self diagnostics
- Sleep mode
- Timer (on/off)
- Weekly schedule
- Soft dry (dehumidification)
- Auto direction/swing (up/down)
- Fan speed control
- Chaos wind (random fan speed)
- Swirl wind (alternating vanes)
- Jet cool (fast cooling)

**Required Accessories:**

- Grille Kit (PT-UQC)

**Optional Accessories:**

- Wireless Handheld Remote Controller - PQWRHDF0
- LG Programmable Thermostat - PREMTB10U
- Simple Controller with Mode (Black) - PQRCVCL0Q
- Simple Controller with Mode (White) - PQRCVCL0QW
- Simple Controller without Mode (Black) - PQRCHCA0Q
- Simple Controller without Mode (White) - PQRCHCA0QW
- Dry Contact Unit (1 contact, 24 VAC external power) - PQDSB1
- Dry Contact with Economizer Interface- PQDSBC1
- Dry Contact for Third Party Thermostat - PQDSBNGCM1
- Wall Mounted Temperature Sensor - PQRSTA0
- Ventilation Kit - PTVK430

**Entering Mixed Air:**

Cooling Max <sup>3</sup> (°F WB)	76
Heating Min (°F DB)	59

**Unit Data:**

Refrigerant Type	R410A
Refrigerant Control	EEV
Sound Pressure <sup>4</sup> dB(A) (H/M/L)	36/34/32
Primary Filter Type	Washable
Secondary Filter Type	Plasma
Net Weight (lbs)	35
Shipping Weight (lbs)	42
Grille Weight (lbs)	7
Grille Shipping Weight (lbs)	11

**Fan:**

Type	Turbo
Quantity	1
Motor/Drive	Brushless Digitally Controlled/Direct
Motor Quantity	1
Airflow Rate H/M/L (CFM)	388/353/328

**Notes:**

- 1.The Power Input is rated at high speed.
- 2.Maximum lift is 27 in from bottom of unit.
- 3.See Engineering Manual for sensible and latent capacities.
- 4.Sound Pressure levels are tested in an anechoic chamber under ISO Standard 3745.
- 5.All communication cable to be minimum 18 AWG, 2-conductor, stranded, shielded and must comply with applicable local and national code.
- 6.Power wiring cable size must comply with the applicable local and national code.
- 7.This unit comes with a dry nitrogen charge.
- 8.This data is rated 0 ft above sea level, with 25 ft of refrigerant line per indoor unit and a 0 ft level difference between outdoor and indoor units. All capacities are net with a combination ratio between 95 – 105%.
- 9.Must follow installation instructions in the applicable LG installation manual.



# ARNU153TQC2

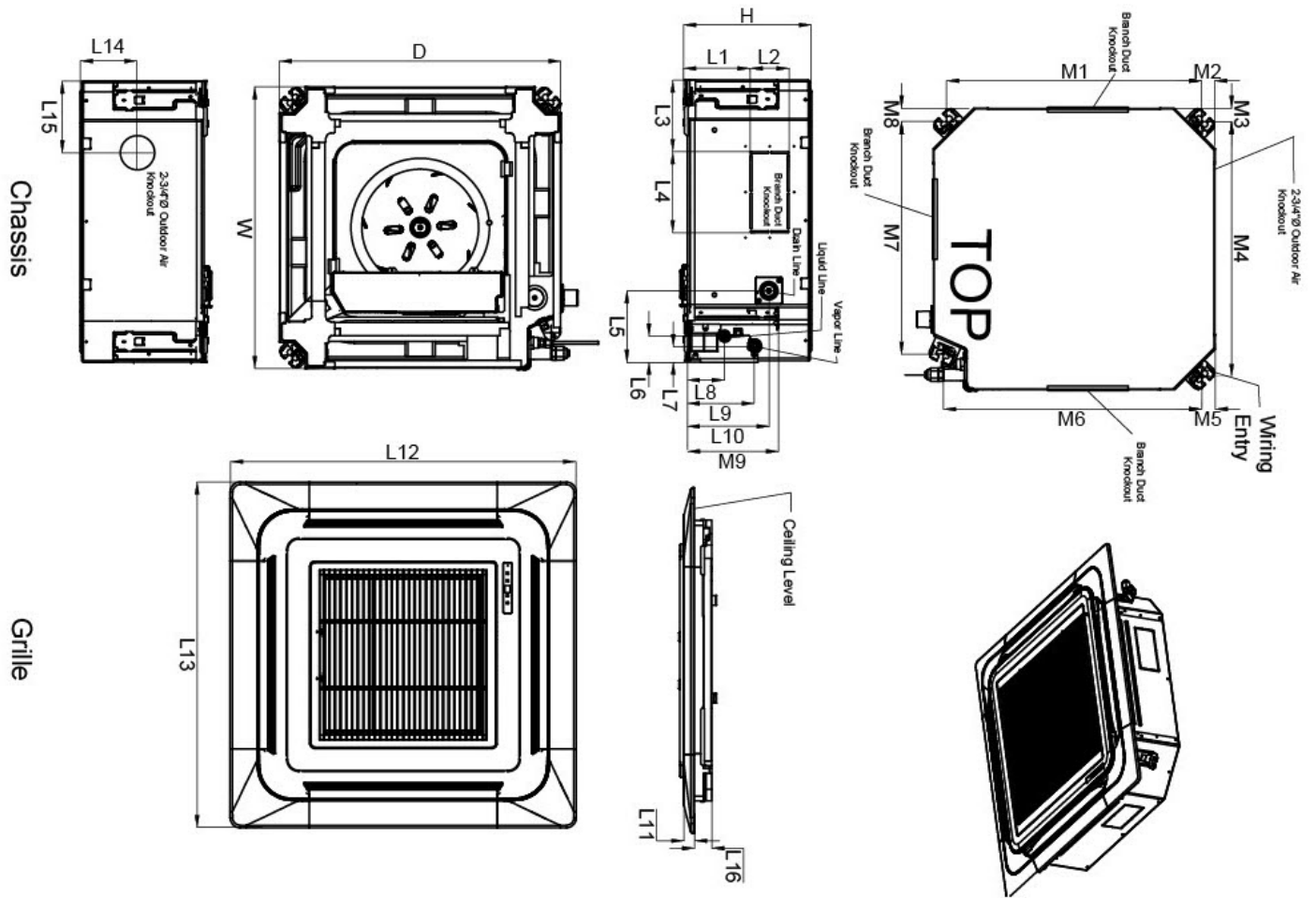
Multi V™ 4-Way Ceiling Cassette  
15,400 Btu/h Indoor Unit



Tag #:

Date:

PO No.:



W	22-7/16"
H	10"
D	22-7/16"
L1	5"
L2	3-1/8"
L3	5-13/16"
L4	6-1/2"
L5	5-5/8"
L6	1-15/16"
L7	1-3/16"
L8	2-11/16"
L9	5-1/16"
L10	6-1/4"
L11	7/8"
L12	27-9/16"
L13	27-9/16"
L14	3-1/8"
L15	5-5/8"
L16	1-3/16"
M1	20-3/8"
M2	1-1/16"
M3	1-1/16"
M4	20-3/8"
M5	1-1/16"
M6	20-5/8"
M7	18-3/16"
M8	1-1/16"
M9	6-5/16"

Note - All dimensions have a tolerance of ± 0.25 in.