

Job Name/Location:

Tag #:

Date:

For:  File  Resubmit  
 Approval  Other \_\_\_\_\_

PO No.:

Architect: \_\_\_\_\_ GC: \_\_\_\_\_

Engr: \_\_\_\_\_ Mech: \_\_\_\_\_

Rep: \_\_\_\_\_  
 (Company) (Project Manager)



**ARNU123TRC2**  
 Multi V™ 4-Way Ceiling Cassette  
 12,300 Btu/h Indoor Unit

**Performance:**

|                                |        |
|--------------------------------|--------|
| Total Cooling Capacity (Btu/h) | 12,300 |
| Heating Capacity (Btu/h)       | 13,600 |
| Power Input <sup>1</sup> (W)   | 30     |

Cooling Nominal Test Conditions: Indoor: 80°F DB/67°F WB Outdoor: 95°F DB  
 Heating Nominal Test Conditions: Indoor: 70°F DB Outdoor: 47°F DB/43°F WB

**Electrical:**

|                       |              |
|-----------------------|--------------|
| Power Supply (V/Hz/Ø) | 208-230/60/1 |
| Rated Amps (A)        | 0.2          |

**Piping:**

Refrigerant:

|                      |           |
|----------------------|-----------|
| Liquid Line (in, OD) | 1/4 Flare |
| Vapor Line (in, OD)  | 1/2 Flare |

Condensate:

|                                     |     |
|-------------------------------------|-----|
| Condensate Line (in, OD)            | 1   |
| Factory Installed Pump <sup>2</sup> | Yes |

**Controls Features:**

- Auto changeover (Heat Recovery Only)
- Auto operation
- Auto restart
- Child lock
- Dual thermistor control
- Forced operation
- Group control
- High ceiling
- Hot start
- Self diagnostics
- Sleep mode
- Timer (on/off)
- Weekly schedule
- Soft dry (dehumidification)
- Auto direction/swing (up/down)
- Fan speed control
- Chaos wind (random fan speed)
- Swirl wind (alternating vanes)
- Jet cool (fast cooling)

**Required Accessories:**

- Grille Kit (PT-UQC)

**Optional Accessories:**

- Wireless Handheld Remote Controller - PQWRHDF0
- LG Programmable Thermostat - PREMTB10U
- Simple Controller with Mode (Black) - PQRCVCL0Q
- Simple Controller with Mode (White) - PQRCVCL0QW
- Simple Controller without Mode (Black) - PQRCHCA0Q
- Simple Controller without Mode (White) - PQRCHCA0QW
- Dry Contact Unit (1 contact, 24 VAC external power) - PQDSB1
- Dry Contact with Economizer Interface- PQDSBC1
- Dry Contact for Third Party Thermostat - PQDSBNGCM1
- Wall Mounted Temperature Sensor - PQRSTA0
- Ventilation Kit - PTVK430

**Entering Mixed Air:**

|                                  |    |
|----------------------------------|----|
| Cooling Max <sup>3</sup> (°F WB) | 76 |
| Heating Min (°F DB)              | 59 |

**Unit Data:**

|   |          |
|---|----------|
| Refrigerant Type                          | R410A    |
| Refrigerant Control                       | EEV      |
| Sound Pressure <sup>4</sup> dB(A) (H/M/L) | 32/30/27 |
| Primary Filter Type                       | Washable |
| Secondary Filter Type                     | Plasma   |
| Net Weight (lbs)                          | 32       |
| Shipping Weight (lbs)                     | 36       |
| Grille Weight (lbs)                       | 7        |
| Grille Shipping Weight (lbs)              | 11       |

**Fan:**

|                          |                                       |
|--------------------------|---------------------------------------|
| Type                     | Turbo                                 |
| Quantity                 | 1                                     |
| Motor/Drive              | Brushless Digitally Controlled/Direct |
| Motor Quantity           | 1                                     |
| Airflow Rate H/M/L (CFM) | 307/283/247                           |

**Notes:**

- 1.The Power Input is rated at high speed.
- 2.Maximum lift is 27 in from bottom of unit.
- 3.See Engineering Manual for sensible and latent capacities.
- 4.Sound Pressure levels are tested in an anechoic chamber under ISO Standard 3745.
- 5.All communication cable to be minimum 18 AWG, 2-conductor, stranded, shielded and must comply with applicable local and national code.
- 6.Power wiring cable size must comply with the applicable local and national code.
- 7.This unit comes with a dry nitrogen charge.
- 8.This data is rated 0 ft above sea level, with 25 ft of refrigerant line per indoor unit and a 0 ft level difference between outdoor and indoor units. All capacities are net with a combination ratio between 95 – 105%.
- 9.Must follow installation instructions in the applicable LG installation manual.



# ARNU123TRC2

Multi V™ 4-Way Ceiling Cassette  
12,300 Btu/h Indoor Unit

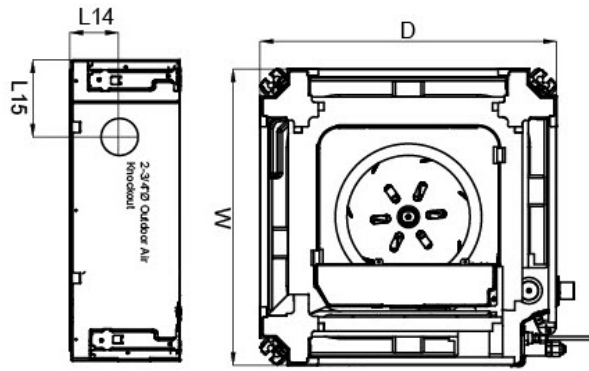


Tag #:

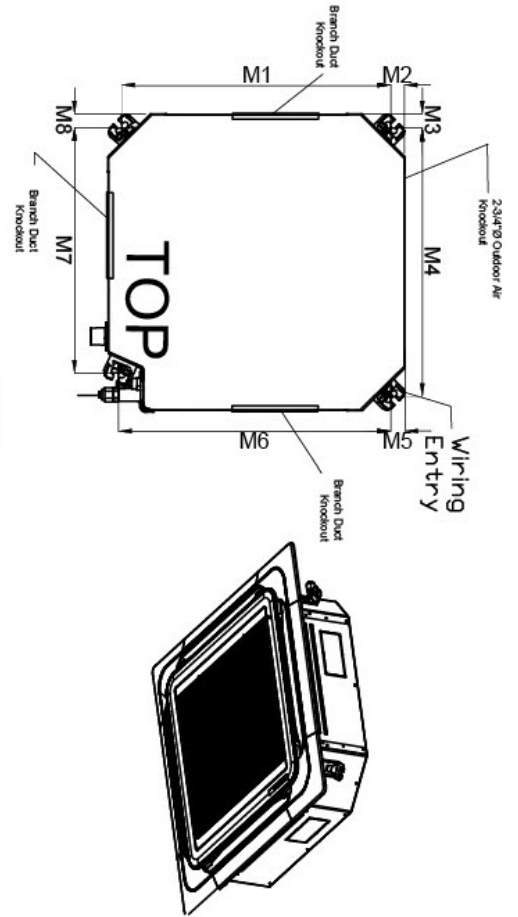
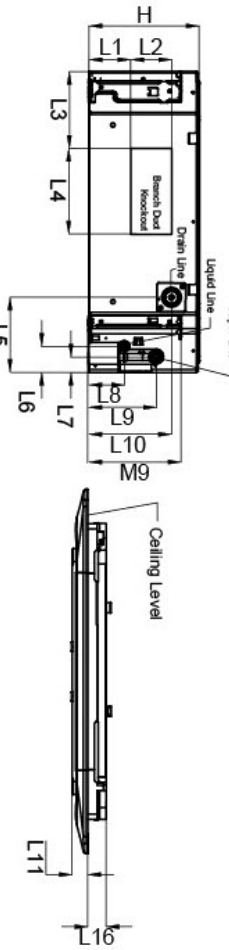
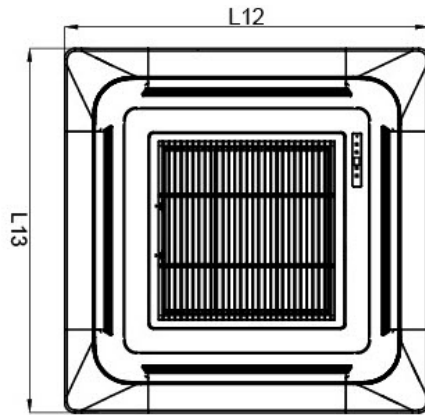
Date:

PO No.:

Chassis



Grille



|     |          |
|-----|----------|
| W   | 22-7/16" |
| H   | 8-7/16"  |
| D   | 22-7/16" |
| L1  | 2-1/8"   |
| L2  | 3-1/8"   |
| L3  | 5-13/16" |
| L4  | 6-1/2"   |
| L5  | 5-5/8"   |
| L6  | 1-15/16" |
| L7  | 1-3/16"  |
| L8  | 2-3/4"   |
| L9  | 5-1/8"   |
| L10 | 6-5/16"  |
| L11 | 7/8"     |
| L12 | 27-9/16  |
| L13 | 27-9/16" |
| L14 | 3-7/16"  |
| L15 | 5-7/8"   |
| L16 | 1-3/16"  |
| M1  | 20-3/8"  |
| M2  | 1-1/16"  |
| M3  | 1-1/16"  |
| M4  | 20-3/8"  |
| M5  | 1-1/16"  |
| M6  | 20-5/8"  |
| M7  | 18-3/16" |
| M8  | 1-1/16"  |
| M9  | 6-15/16" |

Note - All dimensions have a tolerance of ± 0.25 in.