

Job Name/Location:

Tag #:

Date:

For: File Resubmit

PO No.:

Approval Other _____

Architect:

GC:

Engr:

Mech:

Rep:

(Company)

(Project Manager)



ARNU093SEL2
Multi V™ Wall Mounted Unit
9,600 Btu/h Indoor Unit



Performance:

| | |
|---|--------|
| Total Cooling Capacity ¹ (Btu/h) | 9,600 |
| Heating Capacity (Btu/h) | 10,900 |
| Power Input ² (W) | 40 |

Cooling Nominal Test Conditions:
 Indoor: 80°F DB/67°F WB
 Outdoor: 95°F DB

Heating Nominal Test Conditions:
 Indoor: 70°F DB
 Outdoor: 47°F DB/43°F WB

Electrical:

| | |
|-----------------------|--------------|
| Power Supply (V/Hz/Ø) | 208-230/60/1 |
| Rated Amps (A) | 0.3 |

Piping:

Refrigerant:

| | |
|----------------------|-----------|
| Liquid Line (in, OD) | 1/4 Flare |
| Vapor Line (in, OD) | 1/2 Flare |

Condensate:

| | |
|--------------------------|-----|
| Condensate Line (in, OD) | 5/8 |
| Factory Installed Pump | No |

Controls Features:

- Auto changeover (Heat Recovery only)
- Auto operation
- Auto clean (coil dry)
- Auto restart
- Child lock
- Dual thermistor control
- Forced operation
- Group control
- Hot start
- Self diagnostics
- Sleep mode
- Timer (on/off)
- Weekly schedule
- Soft dry (dehumidification)
- Auto direction/swing (up/down)
- Manual Direction (left/right)
- Fan speed control
- Chaos swing (random louver swing)
- Chaos wind (random fan speed)
- Jet cool (fast cooling)

Optional Accessories:

- Wireless Handheld Remote Controller - PQWRHDF0
- LG Programmable Thermostat - PREMTB10U
- Simple Controller with Mode (Black) - PQRVCVCL0Q
- Simple Controller with Mode (White) - PQRVCVCL0QW
- Simple Controller without Mode (Black) PQRCHCA0Q
- Simple Controller without Mode (White) - PQRCHCA0QW
- Dry Contact Unit (1 contact, 24 VAC external power) - PQDSB1
- Dry Contact with Economizer Interface- PQDSBC1
- Dry Contact for Third Party Thermostat - PQDSBNGCM1

Unit Data:

| | |
|---|----------|
| Refrigerant Type | R410A |
| Refrigerant Control | EEV |
| Sound Pressure ³ dB(A) (H/M/L) | 39/35/25 |
| Primary Filter Type | Washable |
| Secondary Filter Type | Plasma |
| Net Unit Weight (lbs) | 20 |
| Shipping Weight (lbs) | 25 |

Fan:

| | |
|--------------------------|---------------------------------------|
| Type | Cross Flow |
| Quantity | 1 |
| Motor/Drive | Brushless Digitally Controlled/Direct |
| Motor Quantity | 1 |
| Airflow Rate H/M/L (CFM) | 247/230/212 |

Notes:

1. See Engineering Manual for sensible and latent capacities.
2. The Power Input is rated at high speed.
3. Sound Pressure levels are tested in an anechoic chamber under ISO Standard 3745.
4. All communication cable to be minimum 18 AWG, 2-conductor, stranded, shielded and must comply with applicable local and national code.
5. Power wiring cable size must comply with the applicable local and national code.
6. This unit comes with a dry nitrogen charge.
7. This data is rated 0 ft above sea level, with 25 ft of refrigerant line per indoor unit and a 0 ft level difference between outdoor and indoor units. All capacities are net with a combination ratio between 95 – 105%.
8. Must follow installation instructions in the applicable LG installation manual.



Job Name/Location:

ARNU093SEL2

Multi V™ Wall Mounted Unit

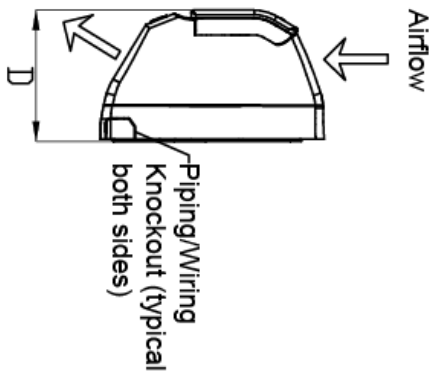
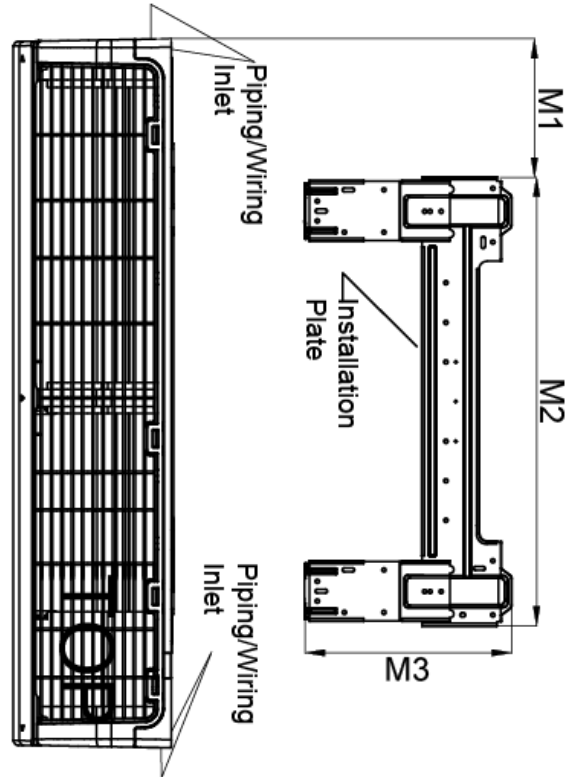
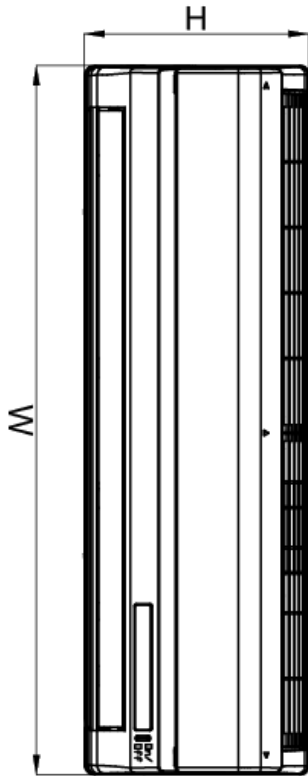
9,600 Btu/h Indoor Unit



Tag #: _____

Date: _____

PO No.: _____



| | |
|----|---------|
| W | 35-1/4" |
| H | 11-1/8" |
| D | 6-1/2" |
| M1 | 5-5/8" |
| M2 | 22-3/8" |
| M3 | 10-1/2" |

Note - All dimensions have a tolerance of ±