

Date: _____

For: File Resubmit
 Approval Other _____

PO No.: _____

Architect: _____

GC: _____

Engr: _____

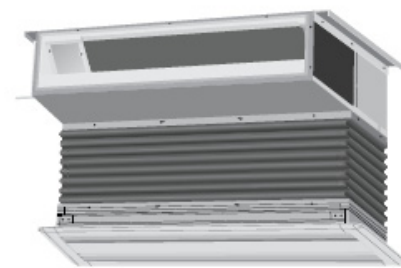
Mech: _____

Rep: _____

(Company)

(Project Manager)

ARNU183B4G2
Multi V™ Ducted Low Static Bottom Return
19,100 Btu/h Indoor Unit



Shown with optional accessories – PBSGB30 & PBSC30

Performance:

Total Cooling Capacity (Btu/h)	19,100
Heating Capacity (Btu/h)	21,500
Power Input ¹ (W)	80

Cooling Nominal Test Conditions: Indoor: 80°F DB/67°F WB
 Heating Nominal Test Conditions: Indoor: 70°F DB
 Outdoor: 95°F DB
 Outdoor: 47°F DB/43°F WB

Electrical:

Power Supply (V/Hz/∅)	208-230/60/1
Rated Amps (A)	0.25

Piping:

Refrigerant:

Liquid Line (in, OD)	1/4 Flare
Vapor Line (in, OD)	1/2 Flare

Condensate:

Condensate Drain Pump ² (in, OD)	1 Plain
---	---------

Controls Features:

- Auto changeover (Heat Recovery only)
- Auto operation
- Auto restart
- Child lock
- Dual thermistor control
- Group control
- Hot start
- Self diagnostics
- Sleep mode
- Timer (on/off)
- Weekly schedule
- Soft dry (dehumidification)
- Fan speed control

Optional Accessories:

- Wireless Handheld Remote Controller³ - PQWRHDF0
- LG Programmable Thermostat - PREMTB10U
- Simple Controller with Mode (Black) - PQRCVCL0Q
- Simple Controller with Mode (White) - PQRCVCL0QW
- Simple Controller without Mode (Black) - PQRCHCA0Q
- Simple Controller without Mode (White) - PQRCHCA0QW
- Dry Contact Unit (1 contact, 24 VAC external power) - PQDSB1
- Dry Contact with Economizer Interface- PQDSBC1
- Dry Contact for Third Party Thermostat - PQDSBNGCM1
- Wall Mounted Temperature Sensor - PQRSTA0
- Return Air Grille - PBSGB30 (includes washable filter)
- Return Air Canvas - PBSC30

Entering Mixed Air:

Cooling Max ⁴ (°F WB)	76
Heating Min (°F DB)	59

Unit Data:

Refrigerant Type	R410
Refrigerant Control	EEV
Sound Pressure ⁵ dB(A) (H/M/L)	43/40/37
Filter Type	Not included
Net Unit Weight (lbs)	58
Shipping Weight (lbs)	65

Fan:

Type	Sirocco
Quantity	4
Motor/Drive	Brushless Digitally Controlled/Direct
Motor Quantity	2
Airflow Rate H/M/L (CFM)	494/424/353
External Static Pressure (ESP) ⁶ (in wg)	0.08
Minimum ESP/Fan Setting Value ^{7 8}	0/109
Maximum ESP/Fan Setting Value ^{7 8}	0.15/125

Notes:

- 1.The Power Input is rated at high speed.
- 2.Maximum lift is 27 inches from bottom of unit. Check valve not included (field supplied).
- 3.Requires an LG Programmable Thermostat, Simple Controller with Mode or a Simple Controller without Mode.
- 4.See Engineering Manual for sensible and latent capacities.
- 5.Sound Pressure levels are tested in an anechoic chamber under ISO Standard 3745.
- 6.At factory fan speed setting.
- 7.Air flow rate (CFM) at high speed.
- 8.Includes air pressure drop through the optional return air canvas, filter, and grille.
- 9.All communication cable to be minimum 18 AWG, 2-conductor, stranded, shielded and must comply with applicable local and national code.
- 10.Power wiring cable size must comply with the applicable local and national code.
- 11.This unit comes with a dry nitrogen charge.
- 12.This data is rated 0 ft above sea level, with 25 ft of refrigerant line per indoor unit and a 0 ft level difference between outdoor and indoor units. All capacities are net with a combination ratio between 95 – 105%.
- 13.Must follow installation instructions in the applicable LG installation manual.



Job Name/Location:

ARNU183B4G2

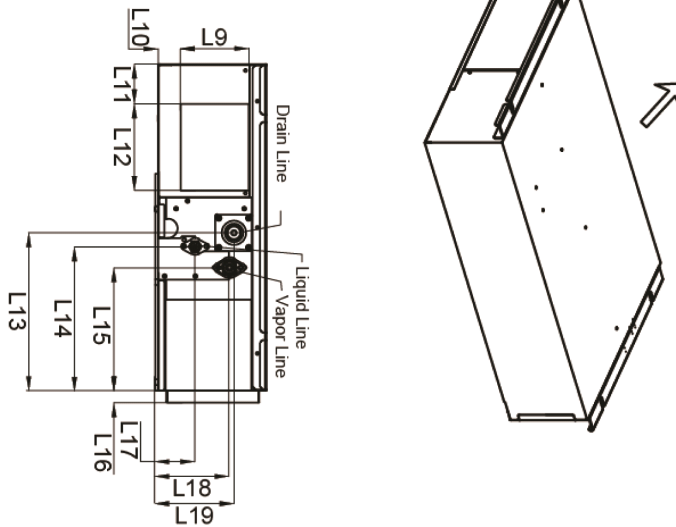
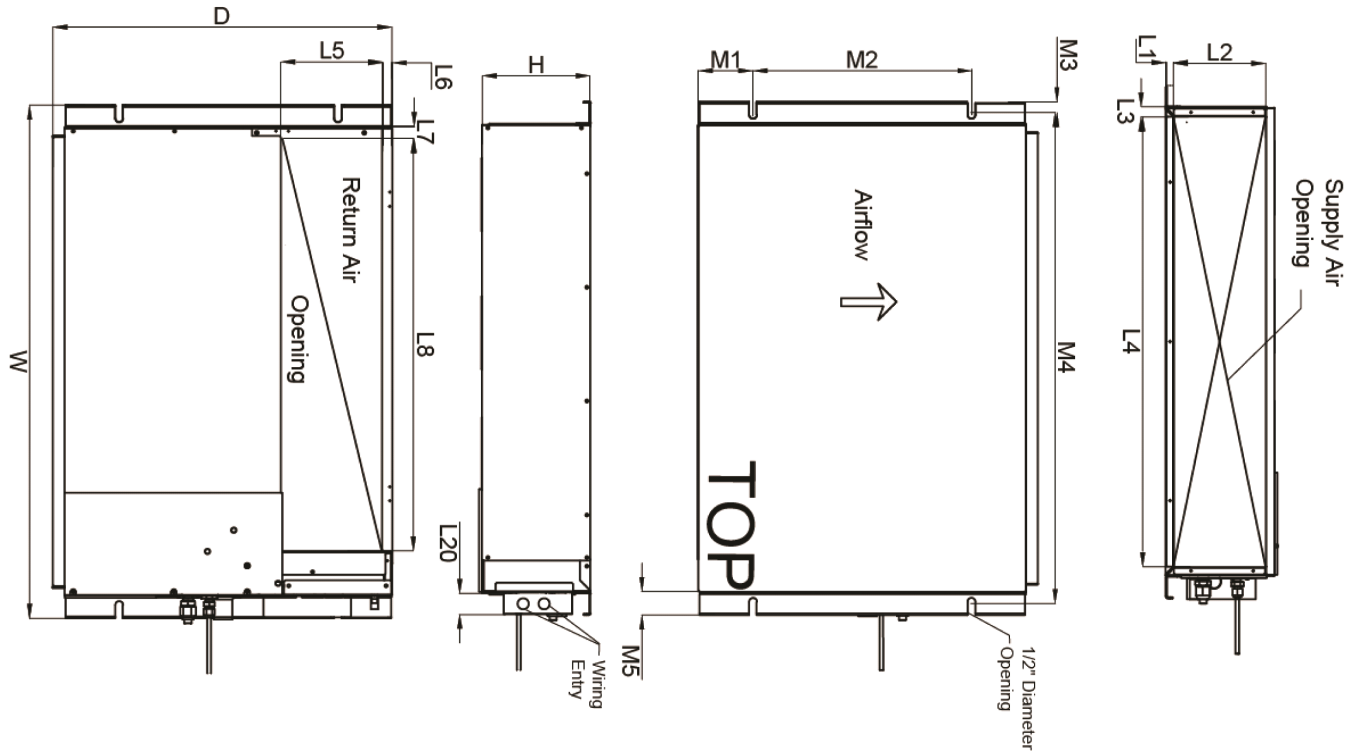
Multi V™ Ducted Low Static Bottom Return
19,100 Btu/h Indoor Unit



Tag #:

Date:

PO No.:



W	46-7/16"
H	7-1/2"
D	22-5/8"
L1	1/2"
L2	6-7/16"
L3	1/2"
L4	41-5/16"
L5	7"
L6	11/16"
L7	3/4"
L8	39-9/16"
L9	4-11/16"
L10	1-9/16"
L11	2-3/4"
L12	5-15/16"
L13	10-7/8"
L14	9-7/16"
L15	8-1/2"
L16	7/8"
L17	2-9/16"
L18	4-15/16"
L19	5-1/16"
L20	1-7/16"
M1	3-11/16"
M2	15"
M3	15/16"
M4	44-7/16"
M5	1-9/16"

Note - All dimensions have a tolerance of ± 0.25 in.