

Job Name/Location:

Tag #:

Date:

For:  File  Resubmit

PO No.:

Approval  Other \_\_\_\_\_

Architect: \_\_\_\_\_ GC: \_\_\_\_\_

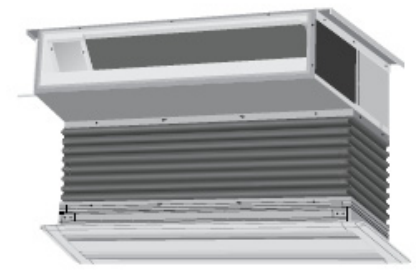
Engr: \_\_\_\_\_ Mech: \_\_\_\_\_

Rep: \_\_\_\_\_

(Company)

(Project Manager)

**ARNU093B3G2**  
**Multi V™ Ducted Low Static Bottom Return**  
**9,600 Btu/h Indoor Unit**



Shown with optional accessories – PBSGB30 & PBSC30

**Performance:**

Total Cooling Capacity (Btu/h)	9,600
Heating Capacity (Btu/h)	10,900
Power Input <sup>1</sup> (W)	30

Cooling Nominal Test Conditions:  
 Indoor: 80°F DB/67°F WB  
 Outdoor: 95°F DB

Heating Nominal Test Conditions:  
 Indoor: 70°F DB  
 Outdoor: 47°F DB/43°F WB

**Electrical:**

Power Supply (V/Hz/∅)	208-230/60/1
Rated Amps (A)	0.1

**Piping:**

Refrigerant:

Liquid Line (in, OD)	1/4 Flare
Vapor Line (in, OD)	1/2 Flare

Condensate:

Condensate Drain Pump <sup>2</sup> (in, OD)	1 Plain
---	---------

**Controls Features:**

- Auto changeover (Heat Recovery only)
- Auto operation
- Auto restart
- Child lock
- Dual thermistor control
- Group control
- Hot start
- Self diagnostics
- Sleep mode
- Timer (on/off)
- Weekly schedule
- Soft dry (dehumidification)
- Fan speed control

**Optional Accessories:**

- Wireless Handheld Remote Controller<sup>3</sup> - PQWRHDF0
- LG Programmable Thermostat - PREMTB10U
- Simple Controller with Mode (Black) - PQRCVCL0Q
- Simple Controller with Mode (White) - PQRCVCL0QW
- Simple Controller without Mode (Black) - PQRCHCA0Q
- Simple Controller without Mode (White) - PQRCHCA0QW
- Dry Contact Unit (1 contact, 24 VAC external power) - PQDSB1
- Dry Contact with Economizer Interface- PQDSBC1
- Dry Contact for Third Party Thermostat - PQDSBNGCM1
- Wall Mounted Temperature Sensor - PQRSTA0
- Return Air Grille - PBSGB30 (includes washable filter)
- Return Air Canvas - PBSC30

**Entering Mixed Air:**

Cooling Max <sup>4</sup> (°F WB)	76
Heating Min (°F DB)	59

**Unit Data:**

Refrigerant Type	R410
Refrigerant Control	EEV
Sound Pressure <sup>5</sup> dB(A) (H/M/L)	34/33/32
Filter Type	Not included
Net Unit Weight (lbs)	47
Shipping Weight (lbs)	51

**Fan:**

Type	Sirocco
Quantity	3
Motor/Drive	Brushless Digitally Controlled/Direct
Motor Quantity	2
Airflow Rate H/M/L (CFM)	318/247/212
External Static Pressure (ESP) <sup>6</sup> (in wg)	0.08
Minimum ESP/Fan Setting Value <sup>7 8</sup>	0/85
Maximum ESP/Fan Setting Value <sup>7 8</sup>	0.15/115

**Notes:**

- 1.The Power Input is rated at high speed.
- 2.Maximum lift is 27 inches from bottom of unit. Check valve not included (field supplied).
- 3.Requires an LG Programmable Thermostat, Simple Controller with Mode or a Simple Controller without Mode.
- 4.See Engineering Manual for sensible and latent capacities.
- 5.Sound Pressure levels are tested in an anechoic chamber under ISO Standard 3745.
- 6.At factory fan speed setting.
- 7.Maximum static pressure may result in reduced airflow (CFM).
- 8.Includes air pressure drop through the optional return air canvas, filter, and grille.
- 9.All communication cable to be minimum 18 AWG, 2-conductor, stranded, shielded and must comply with applicable local and national code.
- 10.Power wiring cable size must comply with the applicable local and national code.
- 11.This unit comes with a dry nitrogen charge.
- 12.This data is rated 0 ft above sea level, with 25 ft of refrigerant line per indoor unit and a 0 ft level difference between outdoor and indoor units. All capacities are net with a combination ratio between 95 – 105%.
- 13.Must follow installation instructions in the applicable LG installation manual.



Job Name/Location:

# ARNU093B3G2

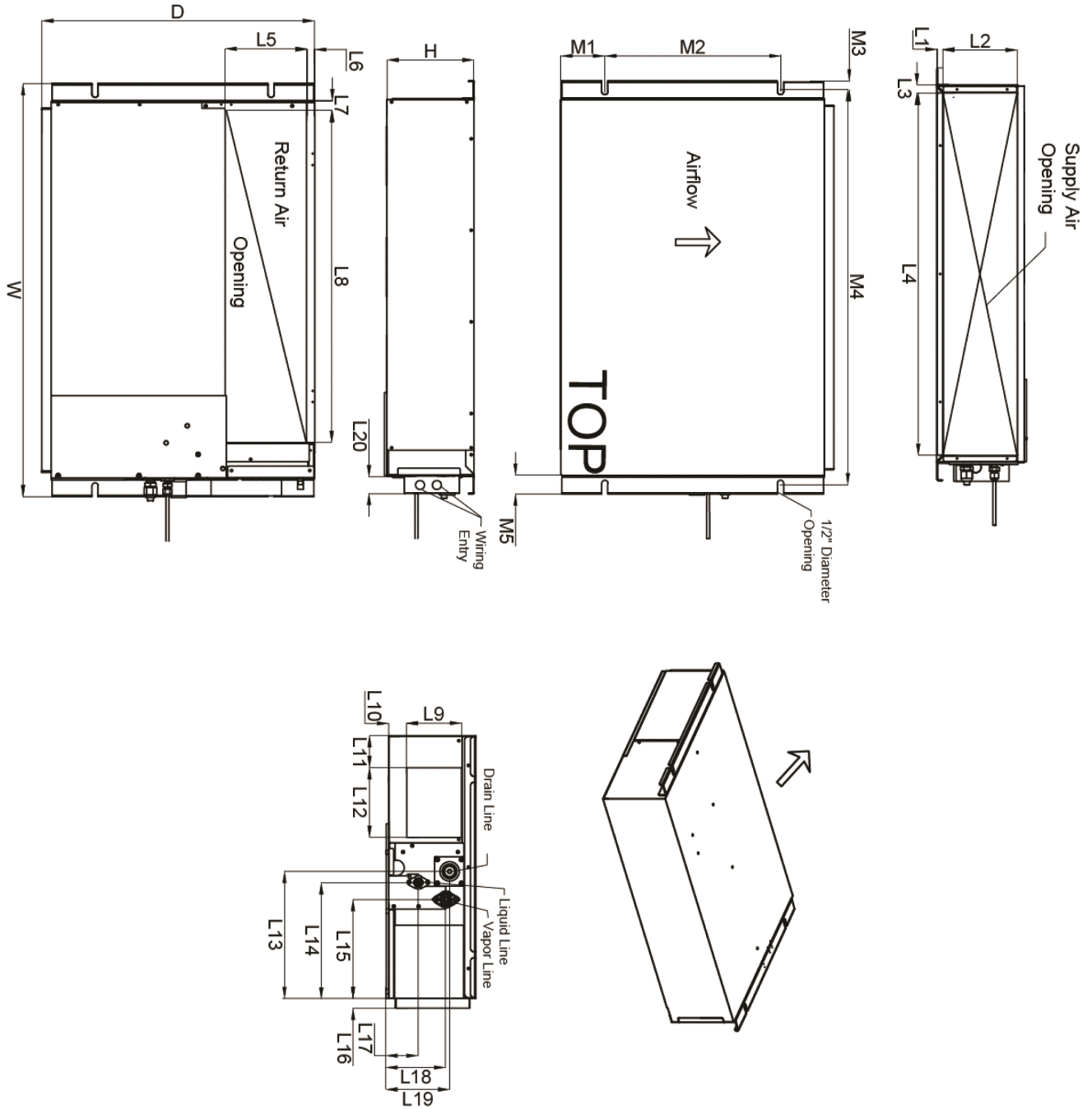
Multi V™ Ducted Low Static Bottom Return  
9,600 Btu/h Indoor Unit



Tag #:

Date:

PO No.:



W	35-1/2"
H	7-1/2"
D	23-3/8"
L1	1/2"
L2	6-7/16"
L3	1/2"
L4	31-5/16"
L5	7"
L6	11/16"
L7	3/4"
L8	28-9/16"
L9	4-11/16"
L10	1-9/16"
L11	2-3/4"
L12	5-15/16"
L13	10-7/8"
L14	9-7/16"
L15	8-1/2"
L16	7/8"
L17	2-9/16"
L18	4-15/16"
L19	5-1/16"
L20	1-7/16"
M1	3-11/16"
M2	15"
M3	15/16"
M4	33-7/16"
M5	1-9/16"

Note - All dimensions have a tolerance of ± 0.25 in.