

Job Name : _____
 Purchaser : _____
 Engineer : _____
 Submitted To : _____
 Submitted By : _____
 Unit Designation : Schedule No.: _____

Location : _____
 P.O. No. : _____
 Architect : _____
 Date : _____
 For : Reference Approval Construction
 Model No.: _____

Submittal Data : PQCPB11A0E

**ACP (with DI/DO)
 for Multi V™**



Standard Feature :

Mid or Large size Central Control for Unit, Zone and Group
Local Central Control by ACP only
or Remote Computer Control combining with AC Manager
LCD Screen and Control Buttons
Maximum Number of Indoor Units (per each ACP) 256
Maximum Number of Indoor Units (Up to 16 ACP) 256 x 16
Digital Input Terminal 20, DC 0 - 24V
Digital Output Terminal 4
RS485 Port 4 + 2 Spare
Ethernet Internet Port 1 + 1 Spare
Software Upgrade with RS232 Port
PDI Connection available for Individual Power Consumption
Available Functions
- Monitoring / Control Mode, Set Temp, Fan Speed, Peak Power Control, Function Lock
- Schedule Lock Schedule, Time Limiting
- History Save Operation and Error
- Auto Control Auto Changeover, Set Temp. Limiting
- Setting Password for Administrator
Auto Addressing
Emergency Stop
Multiple 5 Languages E/S/I/F/G
Power Failure Compensation
Main/Sub Indoor Unit Setting

Power Supply :

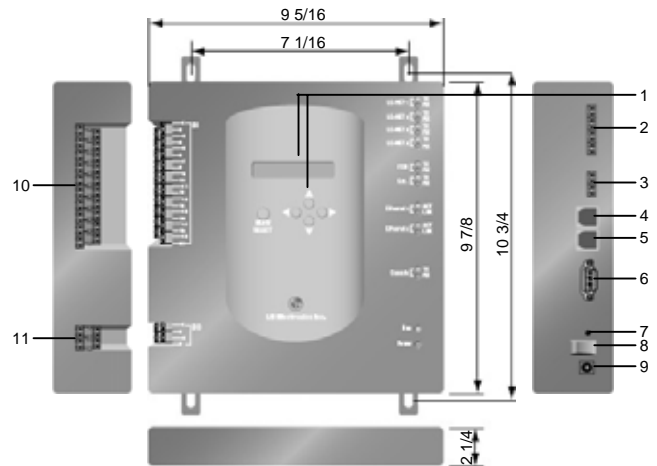
Power Supply (V,Ph,Hz) DC 12V
from Power Adapter 230/208,1,60

Unit Data :

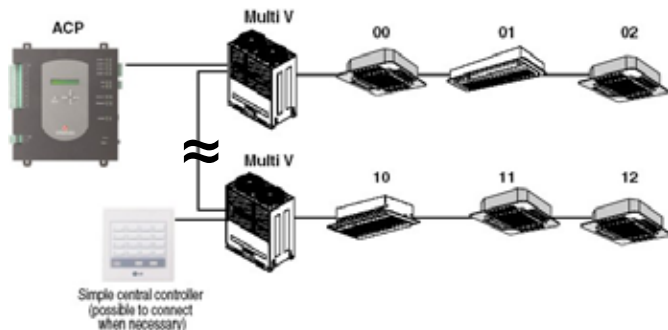
Dimension (inches, W x H x D) 9 5/16 x 9 7/8 x 2 1/4
Weight (lbs) TBD

V-NET

ACP



- | | | |
|----|---------------------------|-------------------------------|
| 1 | LCD Display & Buttons | |
| 2 | RS485 Port | Total 4 Ports |
| 3 | RS485 Port | Total 2 Ports (Spare) |
| 4 | Ethernet Port | Internet Access or AC Manager |
| 5 | Ethernet Port | Spare |
| 6 | RS232 Port | Software Update |
| 7 | Reset Button | |
| 8 | Power Switch | |
| 9 | Adapter Connector | |
| 10 | External Input Terminals | Total 20 Digital Inputs |
| 11 | External Output Terminals | Total 4 Digital Outputs |



Note :