

Date: _____ For: File Resubmit
 PO No.: _____ Approval Other _____
 Architect: _____ GC: _____
 Engr: _____ Mech: _____
 Rep: _____
 (Company) (Project Manager)



LS090HYV
 Art Cool™ Premier Ultra Efficiency Single Zone Inverter
 Outdoor Unit (ODU) - LSU090HYV Indoor Unit (IDU) - LSN090HYV



Performance:

Cooling:

Capacity (Btu/h)	9,000
SEER	28
EER	16.4

SEER - Seasonal Energy Efficiency Ratio EER - Energy Efficiency Ratio

Heating:

Capacity (Btu/h)	11,000
HSPF	12.0

HSPF - Heating Seasonal Performance Factor

Cooling Nominal Test Conditions: Indoor: 80°F DB/67°F WB Outdoor: 95°F DB/75°F WB
 Heating Nominal Test Conditions: Indoor: 70°F DB/60°F WB Outdoor: 47°F DB/43°F WB

Electrical:

Outdoor Unit:

Power Supply (V ¹ /Hz/Ø)	208-230/60/1
MOP (A)	15.0
MCA (A)	10.0
Cooling Rated Amps (A)	8.24
Heating Rated Amps (A)	8.64
Compressor (A)	7.6
Fan Motor (A)	1.04

MOP - Maximum Overcurrent Protection MCA - Minimum Circuit Ampacity

Indoor Unit:

Power Supply (V ¹ /Hz/Ø)	208-230/60/1
Cooling Power Input (kW)	0.55
Heating Power Input (kW)	0.74

Piping:

Liquid Line (in, OD)	1/4
Vapor Line (in, OD)	3/8
Additional Refrigerant (oz/ft)	0.22
Max Pipe Length (ft) ²	49.2
Piping Length (no add'l refrigerant, ft)	24.6
Max Elevation (ft)	22.9

Controls Features:

- 24-Hour on/off timer
- Chaos wind
- Jet cool/Jet heat
- 4-Way auto swing
- Condensate sensor connection
- Self cleaning indoor coil
- Auto changeover
- Defrost control
- Self diagnosis
- Auto restart
- Dehumidifying mode
- Sleep mode
- Built-in low ambient operation to 14°F
- Hot start
- Soft dry operation
- Ultra quiet operation

Optional Accessories (sold separately)

- LG Programmable Thermostat - PREMTB10U
- PI485 - PMNFP14A0
- Dry Contact for third party thermostat - PQDSBNGCM1

Operating Range:

Outdoor Unit:

Cooling (°F DB)	14-118
Heating (°F DB)	14-75

Indoor Unit:

Cooling (°F DB)	64-90
Heating (°F DB)	61-86

Unit Data:

Refrigerant Type	R410A
Refrigerant Control	EEV
Refrigerant Charge (lbs)	2.76
ODU Sound Pressure (Max) ±3 dB(A) ³	51
IDU Sound Pressure (H/M/L/Sleep) ±3 dB(A) ³	39/34/26/17
ODU Net Unit Weight (lbs)	95
ODU Shipping Weight (lbs)	100
IDU Net Unit Weight (lbs)	26
IDU Shipping Weight (lbs)	29
Heat Exchanger Coating	GoldFin™

Fan:

ODU Type	Propeller
IDU Type	Cross Flow
Fan Speeds (Fan/Cooling/Heating)	5/6/6
Quantity (ODU + IDU)	1 + 1
Motor/Drive	Brushless Digitally Controlled/Direct
ODU Max Air Flow Rate (CFM)	1,165
IDU Air Flow H/M/L (CFM)	494/417/283
Dehumidification (pts/hr)	3.3

Notes:

1. Acceptable operating voltage: 187V - 253V.
2. Piping lengths are equivalent.
3. Sound Pressure levels are tested in an anechoic chamber under ISO Standard 1996.
4. All power/communication cable to be minimum 18 AWG, 4-conductor, stranded, shielded and must comply with applicable local and national code.
5. See Engineering Manual for sensible and latent capacities.
6. Power wiring cable size must comply with the applicable local and national code.
7. The indoor unit comes with a dry helium charge.
8. This data is rated 0 ft above sea level, with 24.6 ft of refrigerant line and a 0 ft level difference between outdoor and indoor units.
9. Must follow installation instructions in the applicable LG installation manual.



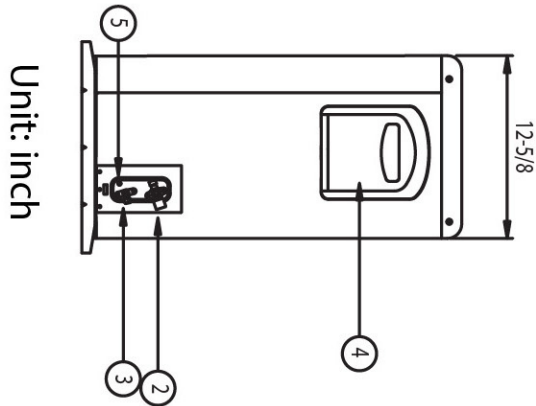
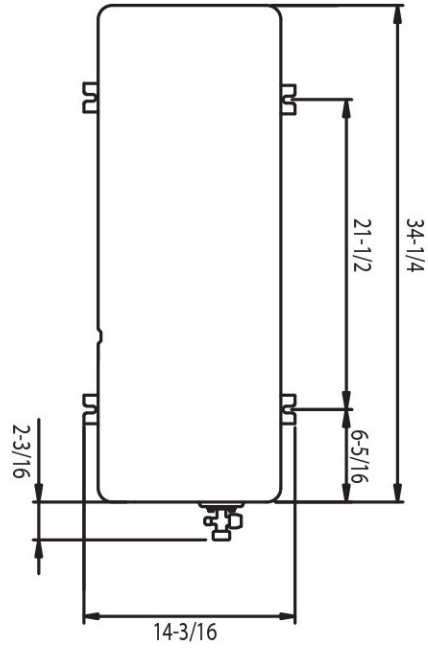
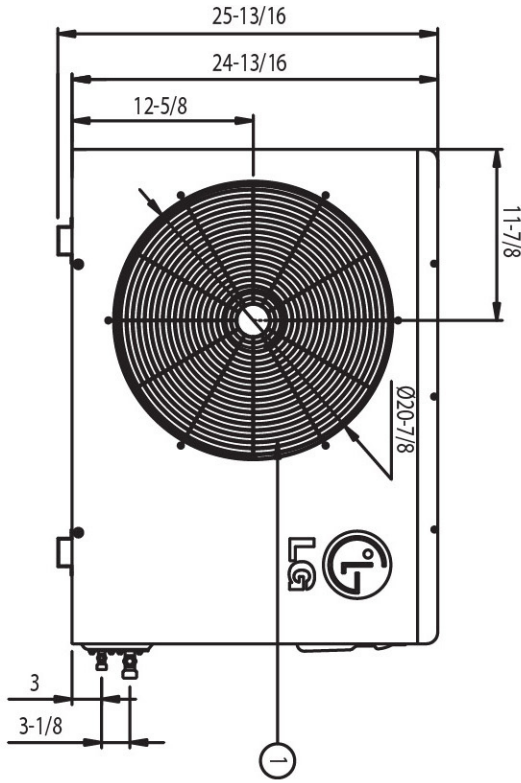
Job Name/Location:

Outdoor Unit (ODU) - LSU090HYV

Art Cool™ Premier Ultra Efficiency Single Zone Inverter



Tag #: _____
 Date: _____
 PO No.: _____



Unit: inch

Item No.	Part Name	Remarks
1	Air Discharge Grille	
2	Gas Pipe Connection Port	
3	Liquid Pipe Connection Port	
4	Control Box	
5	Earth Screw	

Indoor Unit (IDU) - LSN090HYV

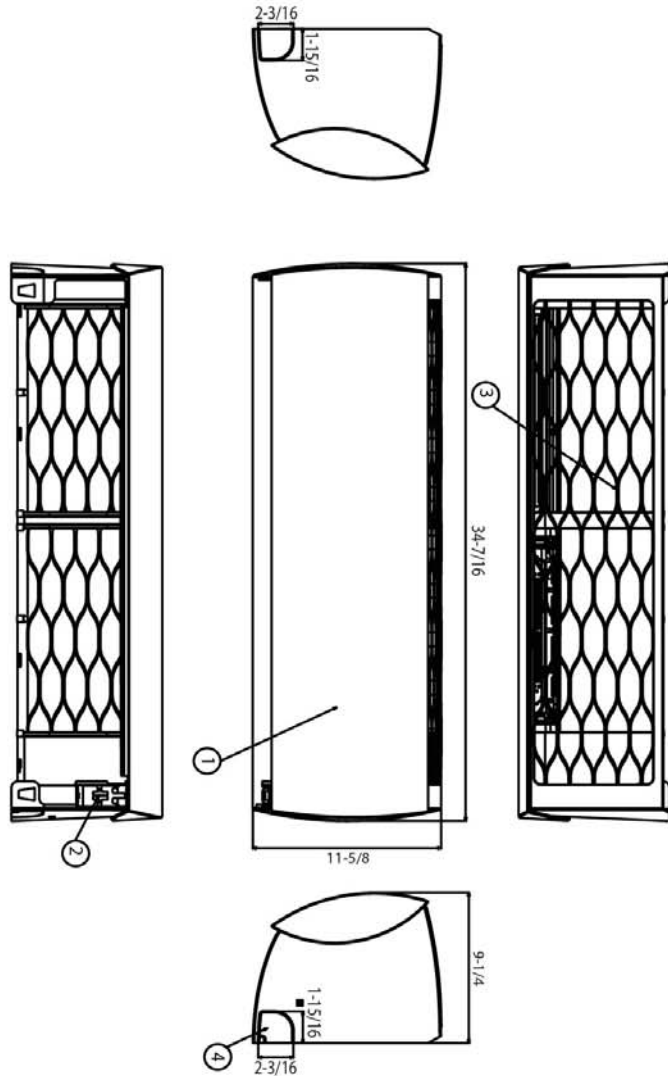
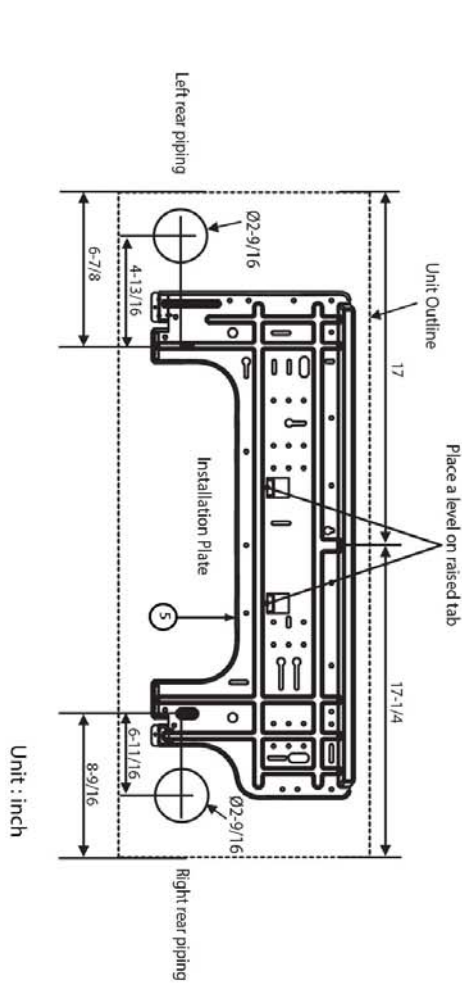
Art Cool™ Premier Ultra Efficiency Single Zone Inverter



Tag #: _____

Date: _____

PO No.: _____



Item No	Part Name	Remarks
1	Front Panel	
2	Display & Signal Receiver	
3	Air Suction Grille	
4	Knockout hole	For pipe and cable
5	Installation Plate	

