

Job Name : _____
 Purchaser : _____
 Engineer : _____
 Submitted To : _____
 Submitted By : _____
 Unit Designation : Schedule No.: _____

Location : _____
 P.O. No. : _____
 Architect : _____
 Date : _____
 For : Reference Approval Construction
 Model No.: _____

Submittal Data : PQRCFCS0 Simple Wired Remote Controller for Hotel for Multi V™



Standard Feature :

- Available Functions
 - On/Off
 - Temperature Setting
 - Fan Speed
 - Air Flow Direction *
 - Child Lock
- Auto Addressing
- Main/Sub Indoor Unit Setting
- Group Control Up to 16 Indoor Units
- Temp. Difference (ΔT) Setting Available with Multi V Sync II
- Function Lock Central Controller can make some of individual control or setting prohibited
- Operating Range (°F) Cooling/Dry 67 - 87
- Heating 63 - 83
- Auto 67 - 83

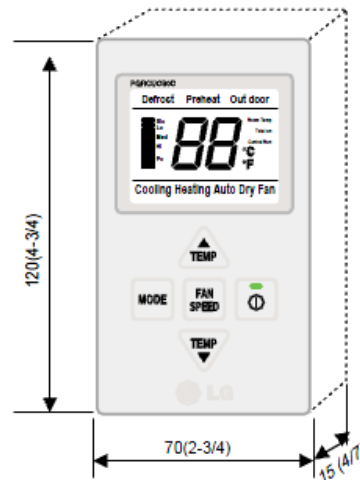
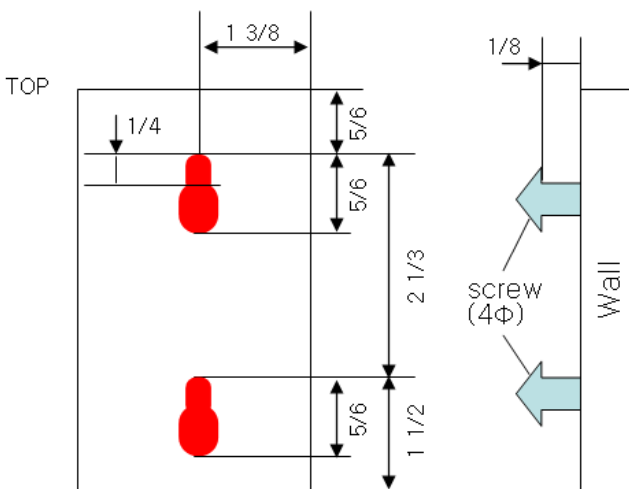
* Available with the indoor unit equipped for the function

Wiring :

Connection Cable AWG #18, 4 wires (Shield Cable)

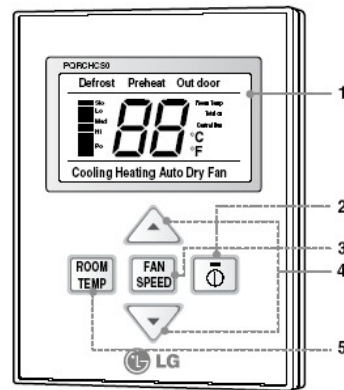
Unit Data :

Dimension (inches, W x H x D) 2 3/4 x 4 3/4 x 4/7
 Weight (lbs) 0.18



Unit:mm(inch)

Weight : 80g(0.18 lb)



- 1 Display
- 2 On/Off
- 3 Fan Speed Selection
- 4 Room Temperature Setting
- 5 Room Temperature Checking Current Temperature

* Available with the indoor unit equipped for the function

Note :