

Date: _____ For: File Resubmit
 PO No.: _____ Approval Other _____
 Architect: _____ GC: _____
 Engr: _____ Mech: _____
 Rep: _____
 (Company) (Project Manager)



ARUN230BT2 (a) ARUN115BT2
 Multi V™ Plus II (b) ARUN115BT2
 19.0 Ton Outdoor Unit

Performance:

Cooling Mode:

| | |
|--------------------------|---------|
| Cooling Capacity (Btu/h) | 229,300 |
| Capacity (tons) | 19.0 |
| Cooling Power Input (kW) | 21.2 |

Heating Mode:

| | |
|------------------|---------|
| Capacity (Btu/h) | 258,000 |
| Power Input (kW) | 22.2 |

Cooling Nominal Test Conditions:
 Indoor: 80°F DB /67°F WB
 Outdoor: 95° DB

Heating Nominal Test Conditions:
 Indoor: 70°F DB
 Outdoor: 47°F DB /43°F WB

Electrical:

| | (a) ARUN115BT2 | (b) ARUN115BT2 |
|--------------------------|----------------|----------------|
| Power Supply (V/Hz/Ph) | 208-230/60/3 | 208-230/60/3 |
| MOP (A) | 60 | 60 |
| MCA (A) | 44 | 44 |
| Rated Amps (A) | 39.1 | 39.1 |
| Compressor A (A) | 18.0 | 18.0 |
| Compressor B (A) | 18.7 | 18.7 |
| Fan Motor (A) | 2.4 | 2.4 |
| Max Starting Current (A) | 132.6 | 132.6 |

Piping:

| | (a) ARUN115BT2 | (b) ARUN115BT2 |
|--------------------------|----------------|----------------|
| Refrigerant Charge (lbs) | 17.6 | 17.6 |
| Liquid Line (in, OD) | 1/2 Flare | 1/2 Flare |
| Vapor Line (in, OD) | 1-1/8 Braze | 1-1/8 Braze |

Standard Features:

- Limited Warranty with LG Certified Installation
 - Two Year Functional Parts Warranty
 - Additional Four Year Compressor Warranty
- Black Box Function
- Night Quiet Operation
- Fault Detection and Diagnosis

Operating Range:

| | |
|-----------------|----------|
| Cooling (°F DB) | 23 - 110 |
| Heating (°F WB) | -4 - 60 |

Unit Data:

| | |
|--------------------------------------|-----------|
| Refrigerant Type | R410A |
| Refrigerant Control | EEV |
| Max Num of Indoor Units ¹ | 39 |
| Sound Pressure ² dB(A) | 61 |
| Net Unit Weight (lbs) (a) + (b) | 628 + 628 |
| Shipping Weight (lbs) (a) + (b) | 664 + 664 |
| Communication Cable (No. x AWG) | |
| Outdoor to Indoor ³ | 2 x 18 |
| Outdoor to Outdoor ⁴ | 2 x 18 |
| Heat Exchanger Coating | GoldFin™ |

Compressor:

| | |
|--------------------------|------------|
| Inverter Scroll Quantity | 2 |
| Constant Scroll Quantity | 2 |
| Oil/Type | PVE/FVC68D |

Fan:

| | |
|-----------------------------------|---------------------------------------|
| Type | Propeller |
| Fan Quantity (a) + (b) | 2 + 2 |
| Motor/Drive | Brushless Digitally Controlled/Direct |
| Fan Air Flow Rate (CFM) (a) + (b) | 6,700 + 6,700 |

Notes:

1. The combination ratio must be between 50-130%.
2. Sound pressure levels are tested in an anechoic chamber under Korea Standard KSA0701 for the combination of outdoor units.
3. All communication cable to be minimum 18 AWG, 2-conductor, stranded, shielded and must comply with applicable local and national code. Cables terminate at each frame.
4. All communication cable to be minimum 18 AWG, 2-conductor, stranded and must comply with applicable local and national code. Cables terminate at each frame.
5. The data mentioned in the above tables is applied with non-ducted indoor units.
6. This data is rated 0 ft above sea level, with 25 ft of refrigerant line per indoor unit and a 0 ft level difference between outdoor and indoor units. All capacities are net with a combination ratio between 95 – 105%.
7. The voltage tolerance is ± 10%.
8. Power wiring cable size must comply with the applicable local and national code. Cables terminate at each frame.
9. Requires ARCNN20 connecting branch pipes to connect components.



Job Name/Location:

ARUN230BT2
 Multi V™ Plus II
 19.0 Ton Outdoor Unit

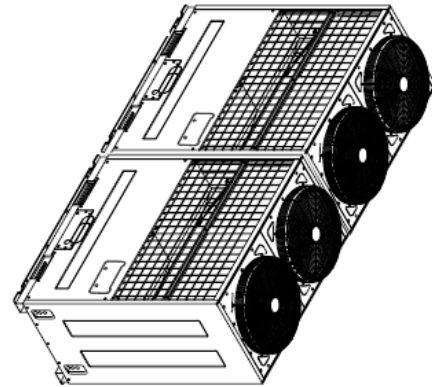
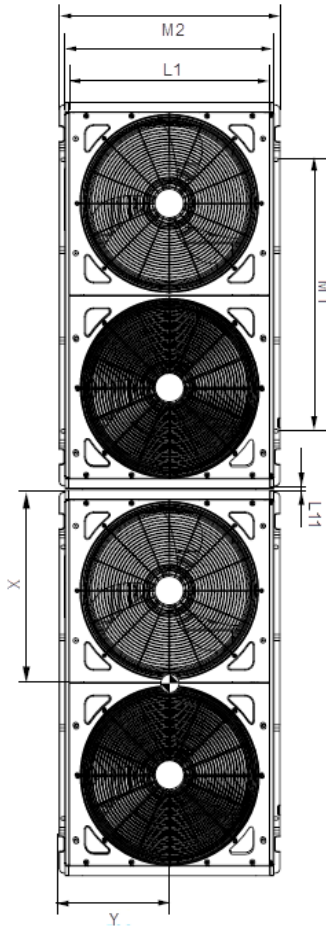
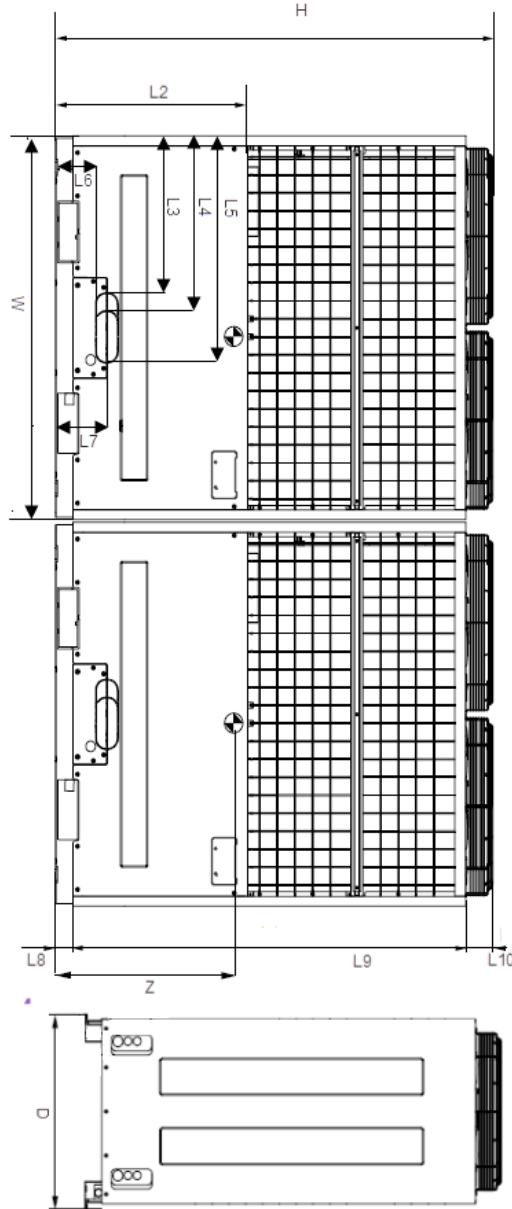
(a) ARUN115BT2
 (b) ARUN115BT2



Tag #:

Date:

PO No.:



Center of Gravity

(a) ARUN115BT2 (b) ARUN115BT2

| | | |
|---|---------|---------|
| X | 21-3/4 | 21-3/4 |
| Y | 12 | 12 |
| Z | 21-5/16 | 21-5/16 |

= Center of Gravity

Note - All dimensions have a tolerance of ± 0.25 in.

| | |
|-----|----------|
| W | 50-3/8 |
| H | 63-5/16 |
| D | 28-11/16 |
| L1 | 27-3/8 |
| L2 | 27-11/16 |
| L3 | 20-5/8 |
| L4 | 23 |
| L5 | 29-7/8 |
| L6 | 7-3/8 |
| L7 | 5-7/8 |
| L8 | 3-3/16 |
| L9 | 56-1/8 |
| L10 | 3-7/8 |
| M1 | 35-7/16 |
| M2 | 27-9/16 |