

Job Name/Location:

Tag #:

Date:

For: File Resubmit

PO No.:

Approval Other _____

Architect:

GC:

Engr:

Mech:

Rep:

(Company)

(Project Manager)



LMCN125HV
Flex Multi Ceiling Cassette
12,000 Btu/h Indoor Unit



Performance:

Nominal Cooling Capacity (Btu/h)	12,000
Nominal Heating Capacity (Btu/h)	13,800

Cooling Nominal Test Conditions:

Indoor: 80°F DB/67°F WB

Outdoor: 95°F DB/75°F WB

Heating Nominal Test Conditions:

Indoor: 70°F DB/60°F WB

Outdoor: 47°F DB/43°F WB

Electrical:

Power Supply (V ¹ /Hz/Ø)	208-230/60/1
Rated Amps (A)	0.25

Piping:

Liquid Line (in, OD)	1/4
Vapor Line (in, OD)	3/8
Drain OD, ID (in)	1-1/4, 1
Temperature Sensor	Thermistor

Features:

- 2 Thermistor control
- 24-Hour on/off timer
- Auto operation
- Auto restart
- Chaos swing
- Control lock function
- Drain Pump
- Group control
- Inverter (variable speed fan)
- Jet Cool

Included Accessories:

- Wireless Handheld Controller - AKB73757604

Required Accessories:

- Grille Kit (PT-UQC or PT-QCHW0)

Optional Accessories:

- LG Programmable Thermostat - PREMTB10U
- Simple Controller with Mode (Black) - PQRCVCL0Q
- Simple Controller with Mode (White) - PQRCVCL0QW
- Simple Controller without Mode (Black) - PQRCHCA0Q
- Simple Controller without Mode (White) - PQRCHCA0QW
- AC Smart Premium - PQCSW421E0A
- ACP Premium - PQPC22A1
- ACP Standard - PQPC22N1
- LonWorks Gateway - PQNFB16A1
- BACnet Gateway - PQNFB17C1
- Plasma Kit - PTPKQ0
- Ventilation Kit - PTVK430
- Dry Contact Unit (1 contact, 24 VAC external power) - PQDSB1
- Dry Contact Unit (2 input, power from indoor unit) - PQDSBC
- Dry Contact for Third Party Thermostat - PQDSBNGCM1

For a complete list of available accessories, contact your LG representative.

Operating Range:

Cooling (°F WB)	57-77
Heating (°F DB)	59-81

Unit Data:

Refrigerant Type	R410A
Refrigerant Control	EEV
Sound Pressure H/M/L (±3 dB(A))	38/35/32
Primary Filter	Washable Pre-filter
Net Weight (lbs)	31
Shipping Weight (lbs)	40
Grille Weight (lbs)	7
Grille Shipping Weight (lbs)	11

Fan:

Type	Turbo
Quantity	1
Motor/Drive	Brushless Digitally Controlled/Direct
Airflow Rate H/M/L (CFM)	335/283/247

Notes:

1. Acceptable operating voltage: 187V-253V.
2. See Engineering Manual for sensible and latent capacities.
3. Sound Pressure levels are tested in an anechoic chamber under ISO Standard 1996.
4. All power/communication cable to be minimum 18 AWG, 4-conductor, stranded, shielded and must comply with applicable local and national code.
5. Power wiring cable size must comply with the applicable local and national codes.
6. This unit comes with a dry helium charge.
7. Corresponding refrigerant piping length is in accordance with standard length of each outdoor unit and the level difference is 0 ft. All capacities are net with a combination ratio between 95 – 105%.
8. Must follow installation instructions in the applicable LG installation manual.

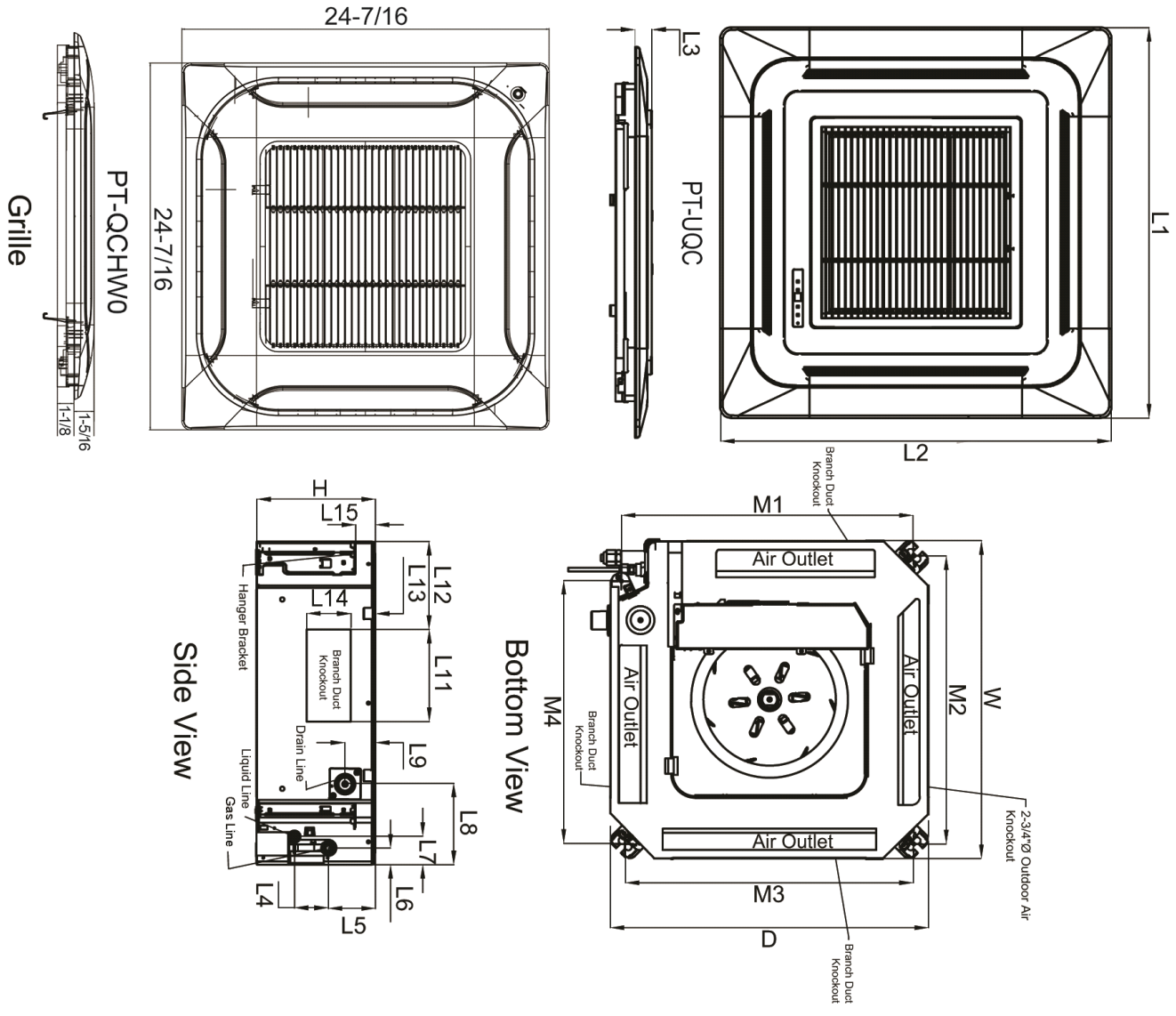


Job Name/Location:

LMCN125HV
 Flex Multi Ceiling Cassette
 12,000 Btu/h Indoor Unit



Tag #: _____
 Date: _____
 PO No.: _____



W	22-7/16"
H	8-7/16"
D	22-7/16"
L1	27-9/16"
L2	27-9/16"
L3	7/8"
L4	2-13/32"
L5	3-7/8"
L6	1-3/16"
L7	1-15/16"
L8	5-5/8"
L9	1-1/32"
L10	1-11/32"
L11	6-1/2"
L12	5-13/16"
L13	3-3/16"
L14	3-1/8"
L15	1-11/32"
M1	20-19/32"
M2	20-3/8"
M3	20-3/8"
M4	18-5/32"