

Job Name/Location:

Tag #:

Date:

For: File Resubmit

PO No.:

Approval Other

Architect:

GC:

Engr:

Mech:

Rep:

(Company)

(Project Manager)



PQRCVCL0QW

LMDN185HV
Flex Multi Ceiling Concealed Duct
18,000 Btu/h Indoor Unit



Performance:

Nominal Capacity (Btu/h)	18,000
Cooling Nominal Test Conditions:	Heating Nominal Test Conditions:
Indoor: 80°F DB/67°F WB	Indoor: 70°F DB/60°F WB
Outdoor: 95°F DB/75°F WB	Outdoor: 47°F DB/43°F WB

Electrical:

Power Supply (V ¹ /Hz/Ø)	208-230/60/1
Rated Amps (A)	0.25

Piping:

Liquid Line (in, OD)	1/4
Vapor Line (in, OD)	1/2
Drain OD, ID (in)	1-1/4, 1
Temperature Sensor	Thermistor
Max Length Each Pipe (ft)	82
Max Elevation between ODU and IDU (ft)	49.2
Max Elevation between IDU and IDU (ft)	24.6

Features:

- 2 Thermistor control
- Internal Condensate Pump
- Auto operation
- Inverter
- Auto restart
- (variable speed fan)
- Control lock function

Included Accessories:

- Simple Controller with Mode (White) - PQRCVCL0QW

Optional Accessories (sold separately)

- 7-Day Programmable Controller (Black) - PQRCVSL0
- 7-Day Programmable Controller (White) - PQRCVSL0QW
- Simple Controller with Mode (Black) - PQRCVCL0Q
- Simple Controller without Mode (Black) PQRCHCA0Q
- Simple Controller without Mode (White) - PQRCHCA0QW
- AC Smart II - PQCSW320A1E
- ACP without Digital I/O - PQCPA11A03
- ACP with Digital I/O - PQCPB11A0E
- LonWorks Gateway - PQNFB16A1
- BACnet Gateway - PQNFB17B0
- AC Ez - PQCSZ250S0
- Dry Contact Unit Dry Contact Unit (1 contact, 24 VAC external power) - PQDSB1
- Dry Contact Unit Dry Contact Unit (2 input, power from indoor unit) - PQDSBC
- Dry Contact for third party thermostat - PQDSBNGCM1

Operating Range:

Cooling Max (°F WB)	76
Heating Min (°F DB)	59

Unit Data:

Refrigerant Type	R410A
Refrigerant Control	EEV
Sound Pressure H/M/L (±3 dB(A))	34/31/29
Primary Filter	Washable Pre-filter
Net Unit Weight (lbs)	59
Shipping Weight (lbs)	63
Communication Cable (No x AWG)	4 x 18

Fan:

Type	Sirocco
Quantity	4
Motor/Drive	Brushless Digitally Controlled/Direct
Airflow Rate H/M/L (CFM)	530/477/406
Max External Static Pressure (in wg)	0.157
Dehumidification Rate (pts/h)	4.2

Standard Features:

- Limited Warranty with LG Certified Installation
- Limited Two Year Functional Parts Warranty

Notes:

1. Acceptable operating voltage: 187V-253V.
2. See Engineering Manual for sensible and latent capacities.
3. Sound Pressure levels are tested in an anechoic chamber under ISO Standard 1996.
4. All communication cable to be minimum 18 American wire gage (AWG), 2-conductor, stranded, shielded and must comply with applicable local and national code.
5. Power wiring cable size must comply with the applicable local and national code.
6. This unit comes with a dry helium charge.
7. This data is rated 0 ft above sea level, with 24.6 ft of refrigerant line per indoor unit and a 0 ft level difference between outdoor and indoor units. All capacities are net with a combination ratio between 95 – 105%.
8. Must follow installation instructions in the applicable LG installation manual.



Job Name/Location:

LMDN185HV

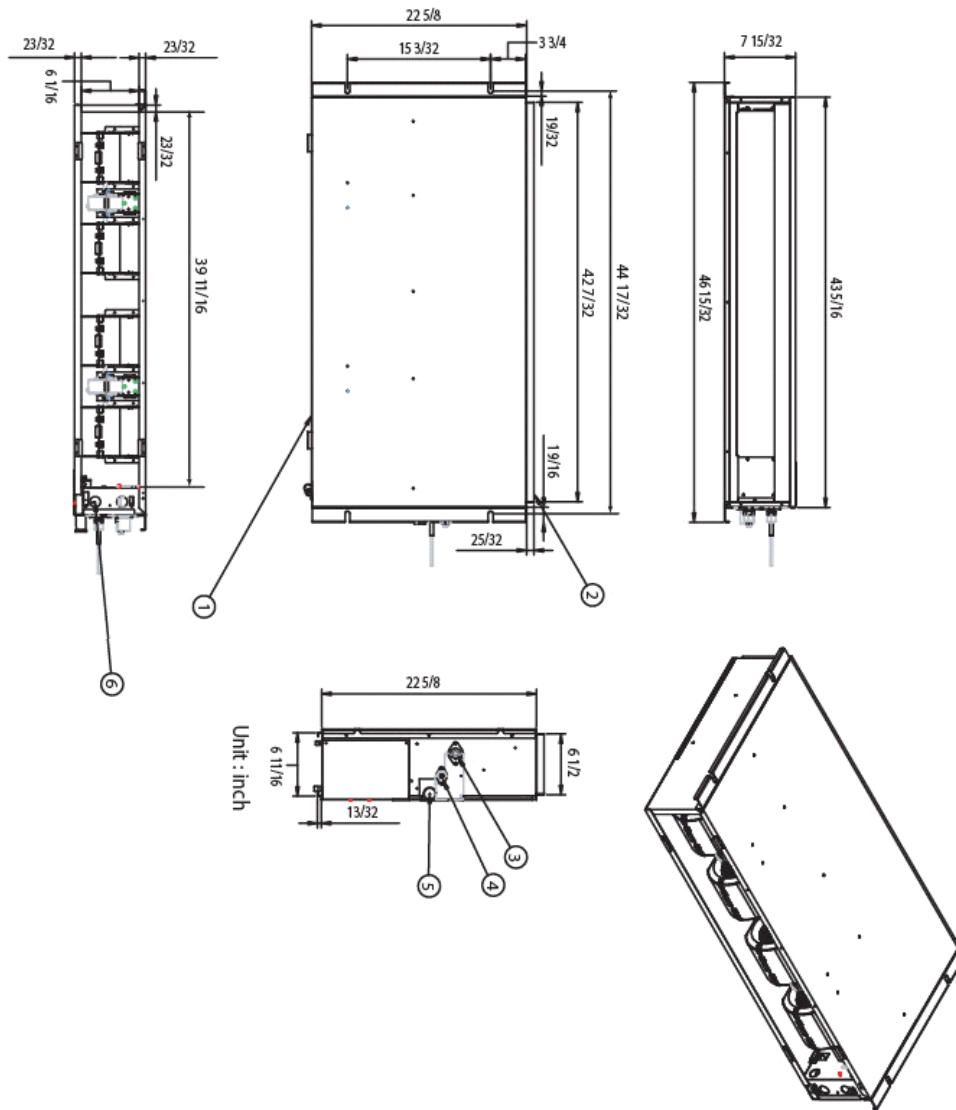
Flex Multi Ceiling Concealed Duct
18,000 Btu/h Indoor Unit



Tag #:

Date:

PO No.:



Unit : inch

No.	Part Name	Remarks
1	Air suction flange	
2	Air discharge flange	
3	Gas pipe connection	
4	Liquied pipe connection	
5	Drain pipe connection	
6	Power supply connection	