

Job Name : \_\_\_\_\_  
 Purchaser : \_\_\_\_\_  
 Engineer : \_\_\_\_\_  
 Submitted To : \_\_\_\_\_  
 Submitted By : \_\_\_\_\_  
 Unit Designation : Schedule No.: \_\_\_\_\_

Location : \_\_\_\_\_  
 P.O. No. : \_\_\_\_\_  
 Architect : \_\_\_\_\_  
 Date : \_\_\_\_\_  
 For :  Reference  Approval  Construction  
 Model No.: \_\_\_\_\_



## Submittal Data : LA090HSV

**Air Conditioner  
 Single Zone Mini Split**

### System Model #

Indoor Model # LAN090HSV  
 Outdoor Model # LAU090HSV

### Performance

Capacity (Cooling)	9,000
(Heating)	10,800
EER	13.3
SEER	20
HSPF	11
Air Circulation (CFM H/M/L)	350/280/210
Fan Speeds	7/Auto/Chaos
Dehumidification (pts/hr)	2.6
Sound Data - Indoor (+3dB(A))	38/33/24/19
Sound Data - Outdoor (+3dB(A))	45
Cooling Indoor Air Temp Min/Max (°F DB)	64/90
Heating Indoor Air Temp Min/Max (°F DB)	61/86

### Electrical :

Rated Voltage Outdoor (V, Hz, Ph)	230/208, 60, 1
Rated Voltage Indoor (V, Hz, Ph)	230/208, 60, 1
Minimum Circuit Ampacity	8.2
Maximum Overcurrent Protection	15
Cooling Running Current (Rated) (A)	7.4
Heating Running Current (Rated) (A)	5.3
Compressor Running Current (Rated) (A)	6.2
Fan Motor Running Current (Rated) (A)	0.25

### Dimensions :

Indoor Dimension (WxHxD, inches)	34 13/16 x 11 1/4 x 8 1/16
Indoor Weight (lbs)	24.3
Outdoor Dimension (WxHxD, inches)	30 5/16x21 7/16x11 5/16
Outdoor Weight (lbs)	77.2

### Refrigerant Piping :

Refrigerant Type	R410a
Refrigerant Charge (41ft)(lbs)	2.21
Liquid Side (inches, O.D)	1/4
Suction Side (inches, O.D)	3/8
Additional Refrigerant (oz./ft.)	0.22
Maximum Pipe Length (ft)	66
Piping length (no add'l refrigerant, ft.)	41
Maximum Elevation (ft)	33

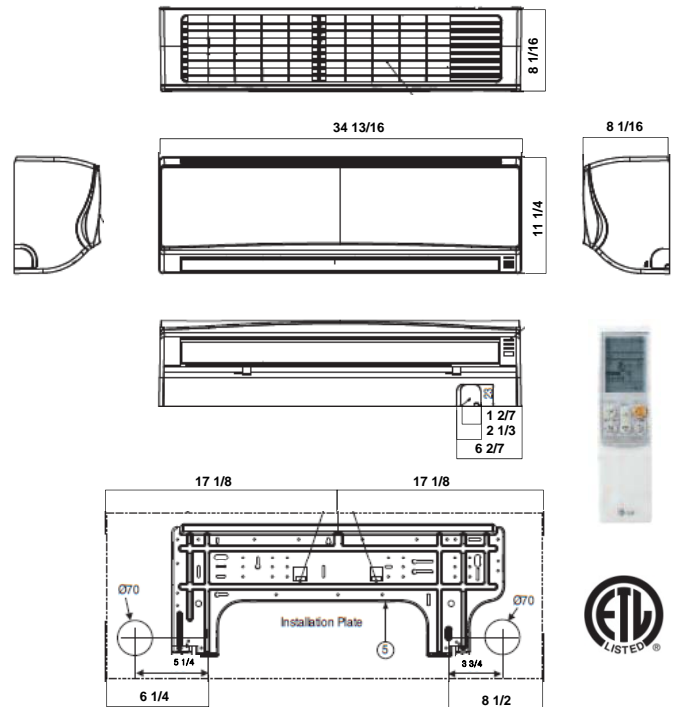
### Standard Features :

- Limited Five Year Compressor Warranty
- Limited Three Year Functional Parts Warranty
- Inverter (Variable Speed Compressor)
- Plasma Air Purifying System
- Chaos Swing Air Circulation
- Jet Cool™
- Auto Restart
- Gold Fin™ Anti-Corrosion
- Built-in Low Ambient Standard down to 14°F (cooling mode)

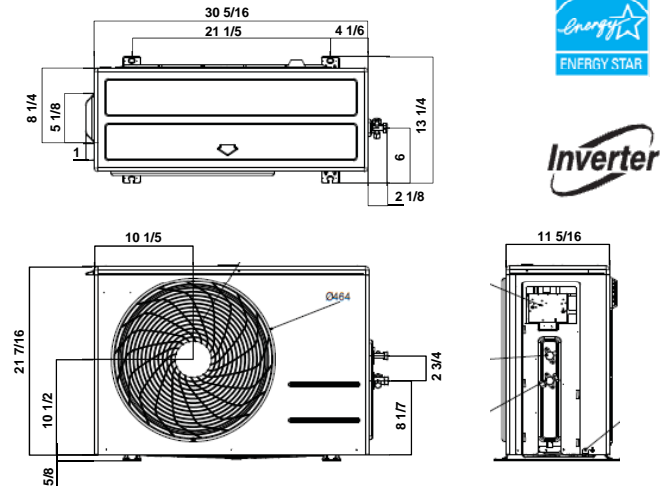
### Note :

LG Electronics USA, Inc. HVAC Division  
 1000 Sylvan Avenue, Englewood Cliffs, NJ 07632 / www.lg.com www.lghvac.com

### LAN090HSV



### LAU090HSV



### Operating Range (Outdoor) :

Cooling (°F)	14-118
Heating (°F)	5-75

### Accessory Option :

- Wired Wall Thermostat – PQRCVSL0(QW)

© LG Electronics USA, Inc 2011 DFS-SB-AA-027-US 013A07  
 Specifications and information in this submittal data are subject to change without notice.