

Date: \_\_\_\_\_ For:  File  Resubmit  
 PO No.: \_\_\_\_\_  Approval  Other \_\_\_\_\_  
 Architect: \_\_\_\_\_ GC: \_\_\_\_\_  
 Engr: \_\_\_\_\_ Mech: \_\_\_\_\_  
 Rep: \_\_\_\_\_  
(Company) (Project Manager)



**LC246HV**  
 Ceiling Cassette Single Zone  
 Outdoor Unit (ODU) - LUU246HV Indoor Unit (IDU) - LCN246HV

**Performance:**

Cooling Capacity (Btu/h)	23,000
Heating Capacity (Btu/h)	25,000
SEER	14
EER	9.8/9.2
HSPF	7.7

SEER - Seasonal Energy Efficiency Ratio EER - Energy Efficiency Ratio  
 HSPF - Heating Seasonal Performance Factor

**Electrical:**

**Outdoor Unit:**

Power Supply (V <sup>1</sup> /Hz/Ø)	208-230/60/1
MOP (A)	25.0
MCA (A)	17.6
Cooling Rated Amps (A)	11.0
Heating Rated Amps (A)	16.1
Compressor (A)	13.1
Fan (A)	0.6

MOP - Maximum Overcurrent Protection MCA - Minimum Circuit Ampacity

**Indoor Unit:**

Power Supply (V <sup>1</sup> /Hz/Ø)	208-230/60/1
Cooling Power Input (kW)	2.5
Heating Power Input (kW)	2.55

**Piping:**

Refrigerant Charge (lbs)	4.41
Liquid Line (in, OD)	3/8
Suction Line (in, OD)	5/8
Max Pipe Length (ft) <sup>1</sup>	98
Max Elevation (ft)	66

**Features:**

- Inverter (Variable speed compressor)
- Internal condensate pump
- Swirl Wind
- Jet Cool
- Independent vane control
- Evaporator frost control
- Auto restart
- Auto changeover
- Ultra-quiet turbo fan
- Built-in low ambient standard, down to 5°F (cooling mode)
- Night quiet operation

**Included Accessories:**

- 7-Day Programmable Controller (White) - PQRCVSL0QW

**Required Accessories (sold separately)**

- Cassette Grille (PT-UMC)

**Optional Accessories (sold separately):**

- Wireless Handheld Remote Controller – PQWRHDF0
- Plasma Kit - PTPKMO
- Ventilation<sup>3</sup> Kit - PTVK410+PTVK420
- Auto Elevation Kit - PTEGMO
- PI485 - PMNFP14A0

For continual product development, LG reserves the right to change specifications without notice.

LG Electronics U.S.A., Inc., Englewood Cliffs, NJ. All rights reserved. "LG Life's Good" is a registered trademark of LG Corp. /www.lghvac.com

**Operating Range:**

**Outdoor Unit:**

Cooling (°F DB)	14-115
Heating (°F WB)	5-75

**Indoor Unit:**

Cooling (°F DB)	64-86
Heating (°F DB)	60-86

**Unit Data:**

Refrigerant Type	R410A
Refrigerant Control	EEV
IDU Sound Pressure (H/M/L) ±3 dB(A) <sup>4</sup>	39/37/34
ODU Sound Pressure Max (Cool/Heat) ±3 dB(A) <sup>4</sup>	55
ODU Net Unit Weight (lbs)	132
ODU Shipping Weight (lbs)	141
IDU Net Unit Weight	46
IDU Shipping Weight (lbs)	55
Grille Weight (lbs)	13
Grille Shipping Weight (lbs)	20

**Fan:**

Fan Type	Turbo
Air Circulation (CFM H/M/L)	636/565/494
Fan Speeds (Fan/Cooling/Heating)	4/5/4
Dehumidification (pts/hr)	2.1

**Standard Features:**

- Limited Seven Year Compressor Warranty
- Limited Five Year Functional Parts Warranty

**Notes:**

1. Acceptable operating voltage: 187V - 253V.
2. Piping lengths are equivalent.
3. Must comply with applicable codes for fire isolation dampers.
4. Sound pressure levels are tested in an anechoic chamber under ISO Standard 1996.
5. All communication cable to be minimum 18 American wire gage (AWG), 2-conductor, stranded, shielded and must comply with applicable local and national code.
6. This unit comes with a dry helium charge.
7. Nominal data is rated 0 ft above sea level, with 25 ft of refrigerant line and a 0 ft level difference between outdoor and indoor units.
8. Power wiring cable size must comply with the applicable local and national code.
9. Must follow installation instructions in the applicable LG installation manual.



# Outdoor Unit (ODU) - LUU246HV

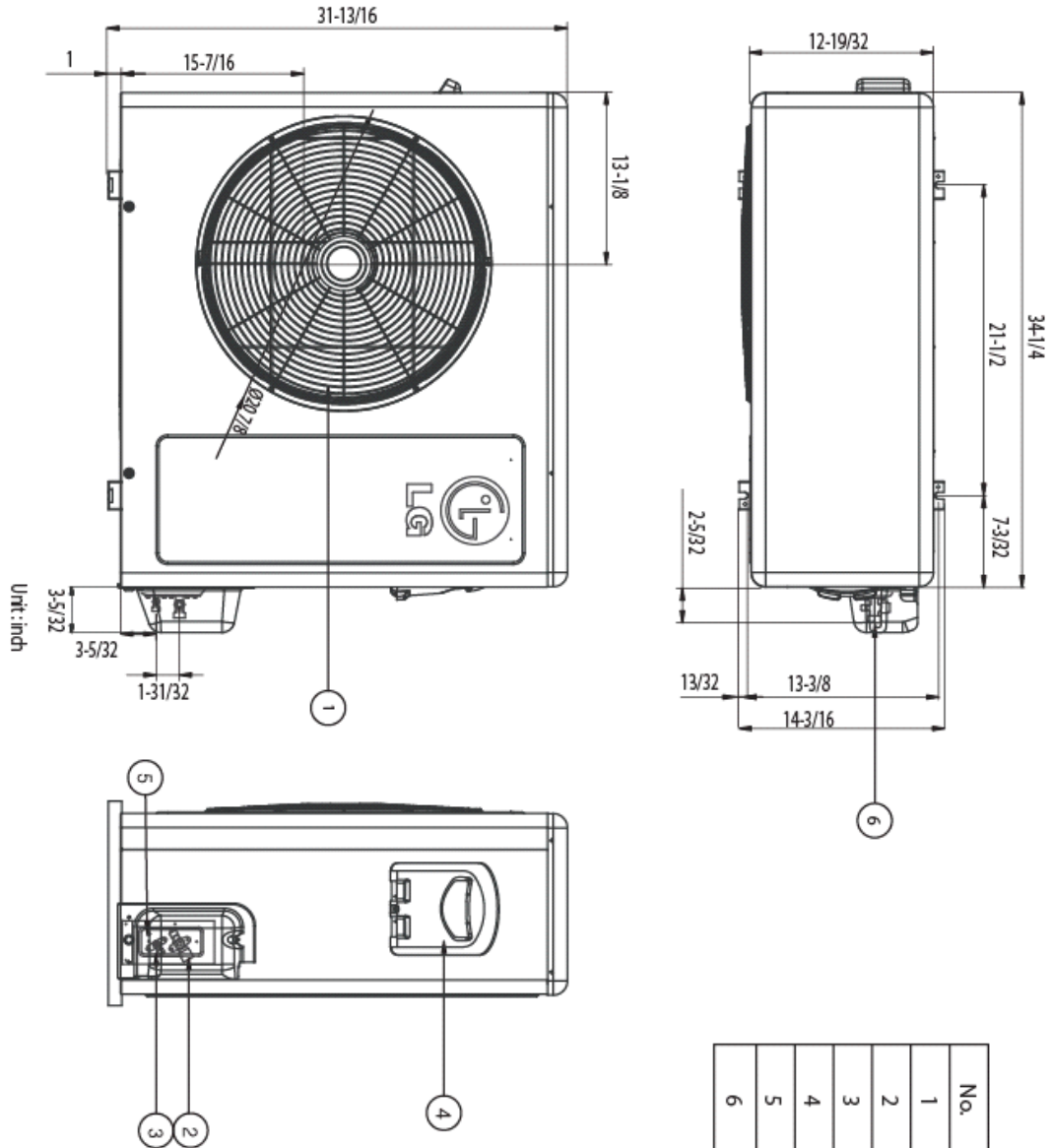
## Ceiling Cassette Single Zone



Tag #: \_\_\_\_\_

Date: \_\_\_\_\_

PO No.: \_\_\_\_\_



No.	Part Name	Remarks
1	Air discharge grille	
2	Gas pipe connection	
3	Liquid pipe connection	
4	Power & transmission connection	
5	Earth screw	
6	SVC valve cover	

# Indoor Unit (IDU) - LCN246HV

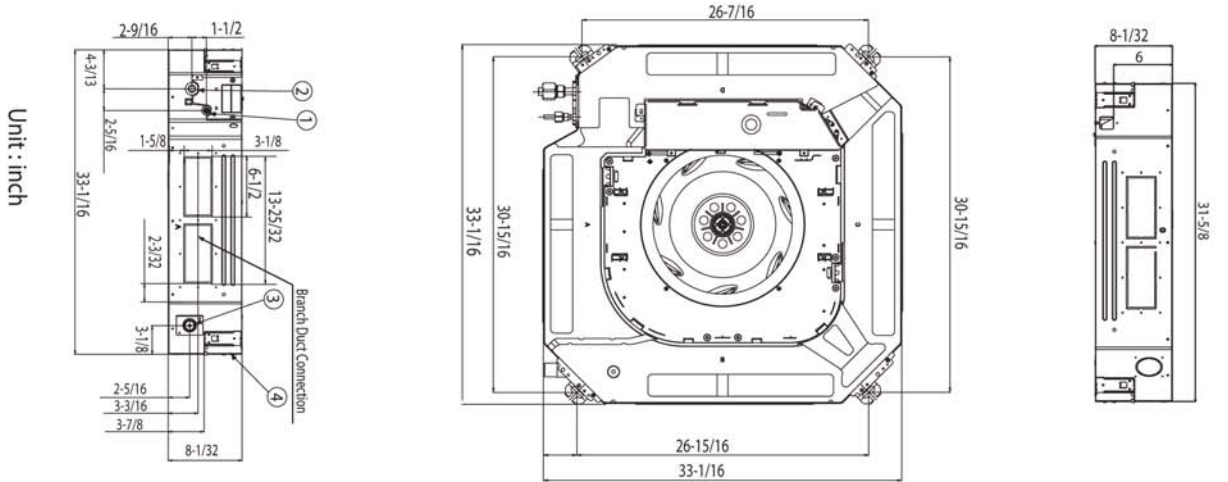
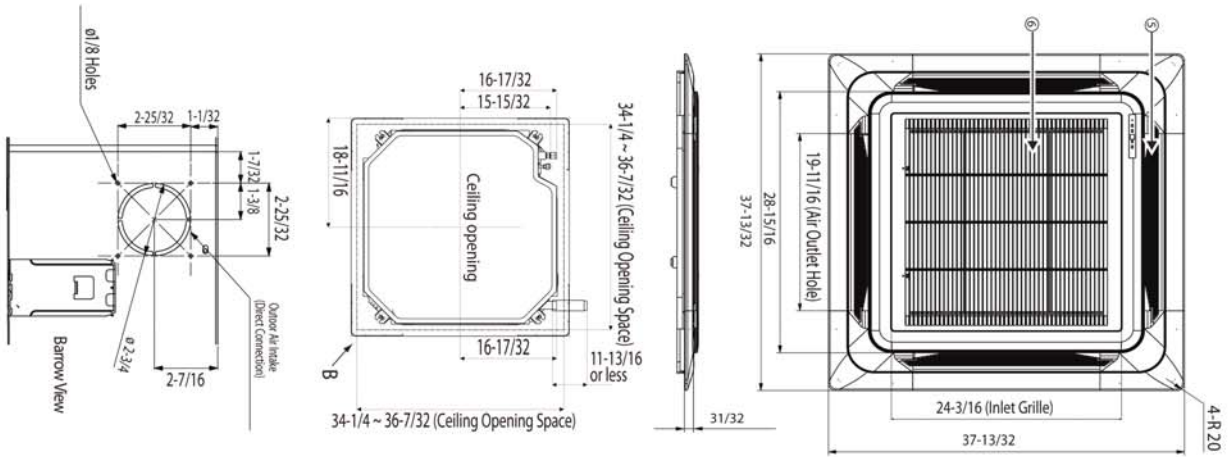
## Ceiling Cassette Single Zone



Tag #: \_\_\_\_\_

Date: \_\_\_\_\_

PO No.: \_\_\_\_\_



Unit : inch

Number	Name	Description
1	Liquid pipe connection	
2	Gas pipe connection	
3	Drain pipe connection	VP25(Ø32)
4	Power supply connection	
5	Air discharge grill	
6	Air suction grill	