



Internal Use Only

<http://biz.lgservice.com>

Room Air Conditioner

SVC MANUAL(Exploded View)

**MODEL : AMNW09GDBL0 [LMN096HVT]
AMNW12GDBL0 [LMN126HVT]**

CAUTION

Before Servicing the unit, read the safety precautions in General SVC manual.
Only for authorized service personnel.

1. Specification

Indoor

| Model | | | AMNW09GDBL0 [LMN096HVT] | AMNW12GDBL0 [LMN126HVT] |
|------------------------------|-------------------------------|--------------|---------------------------------------|-----------------------------|
| Power Supply | | Ø / V / Hz | 1/208-230/60 | 1/208-230/60 |
| Capacity(*) | | Btu/h Class | 9,000 | 12,000 |
| Current | Running Current | A | 0.15 | 0.15 |
| Fan | Motor Type | | BLDC | BLDC |
| | Fan Type | | Cross Flow Fan | Cross Flow Fan |
| | Motor Output(W) x No. of Unit | | 14.4 x 1 | 14.4 x 1 |
| | Air Flow Rate (H / M / L) | CMM | 7 / 6.5 / 6 | 9.5 / 9 / 8.5 |
| | | CFM | 247/230/212 | 336/318/300 |
| | External Static Pressure | mmAq | - | - |
| | Capacitor | µF / Vac | - | - |
| Drive | | Direct Drive | Direct Drive | |
| Coil | Row x Column x FPI | | 2R x 16C x 23 | 2R x 16C x 23 |
| Dimensions (W x H x D) | Body | mm | 885 x 285 x 210 | 885 x 285 x 210 |
| | | inch | 34-27/32 x 11-7/32 x 8-9/32 | 34-27/32 x 11-7/32 x 8-9/32 |
| | Decorative Panel | mm | - | - |
| | | inch | - | - |
| Net Weight | Body | kg (lbs) | 11(24.5) | 11(24.5) |
| | Decorative Panel | kg (lbs) | - | - |
| Air Filter | | | Long Life Filter | Long Life Filter |
| Sound Level (H / M / L) | | dB(A)+3 | 33 / 30 / 27 | 39 / 36 / 31 |
| Piping | Liquid | mm (inch) | 6.35 (1/4) | 6.35 (1/4) |
| Connections | Gas | mm (inch) | 9.52 (3/8) | 9.52 (3/8) |
| | Drain(OD/ID) | mm(inch) | 21.5/16 (0.846/0.630) | 21.5/16 (0.846/0.630) |
| Dehumidification Rate | | l/h | 1.1 | 1.2 |
| Safety Devices | | | Fuse, Thermal Protector for Fan Motor | |
| Temperature Sensor | | | Thermistor | Thermistor |
| Refrigerant | | | R410A | R410A |
| Refrigerant Control | | | EEV(in Outdoor unit or BD) | EEV(in Outdoor unit or BD) |
| Transmission Interunit Cable | | No. x AWG | 4x18(including earth) | 4x18(including earth) |

Note:

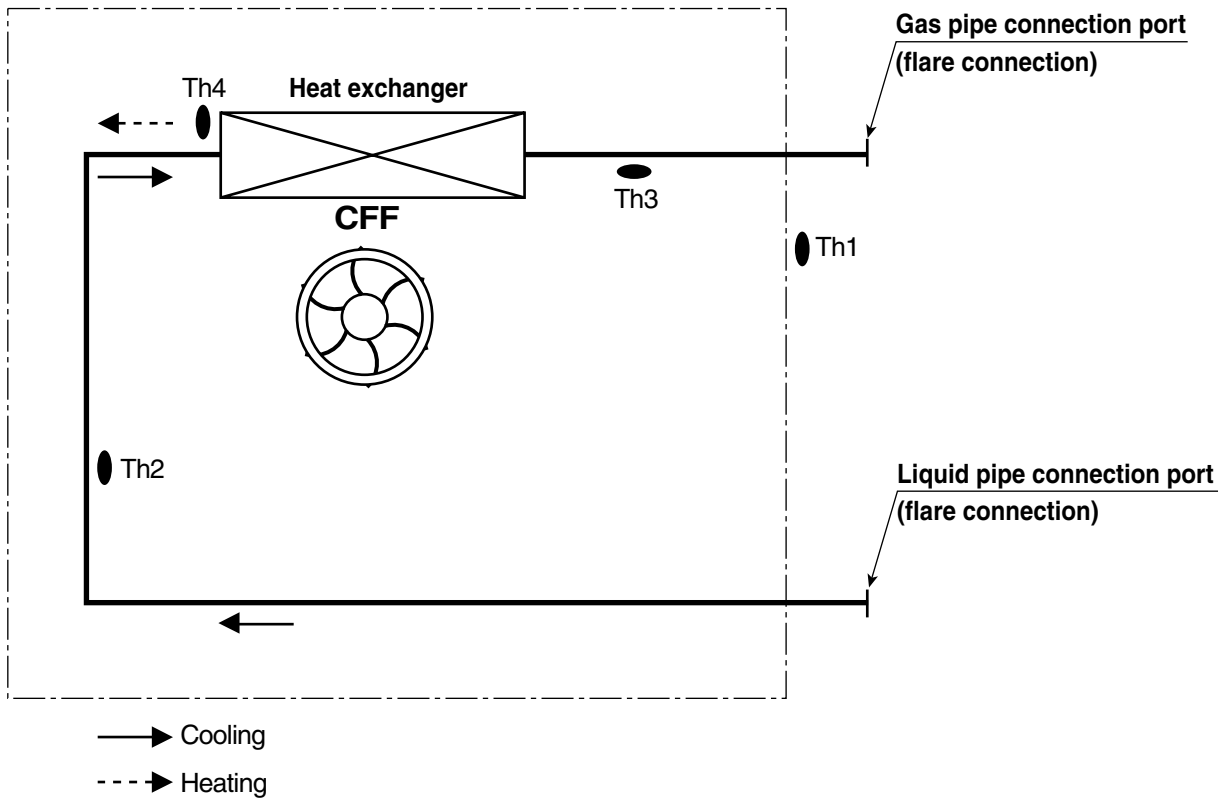
- Capacities are based on the following conditions:
 - Cooling: - Indoor Temperature 27°C(80.6°F) DB/19°C(66.2°F) WB
 - Outdoor Temperature 35°C(95°F) DB/24°C(75.2°F) WB
 - Heating: - Indoor Temperature 20°C(68°F) DB/15°C(59°F) WB
 - Outdoor Temperature 7°C(44.6°F) DB/6°C(42.8°F) WB
 - Piping Length - Interconnecting Piping Length 7.5m
 - Level Difference of Zero

2. Wiring cable size must comply with the applicable local and national code.

3. The specification may be subject to change without prior notice for purpose of improvement.

| Conversion Formula |
|------------------------|
| kW = Btu/h x 0.0002931 |
| cfm = CMM x 35.3 |

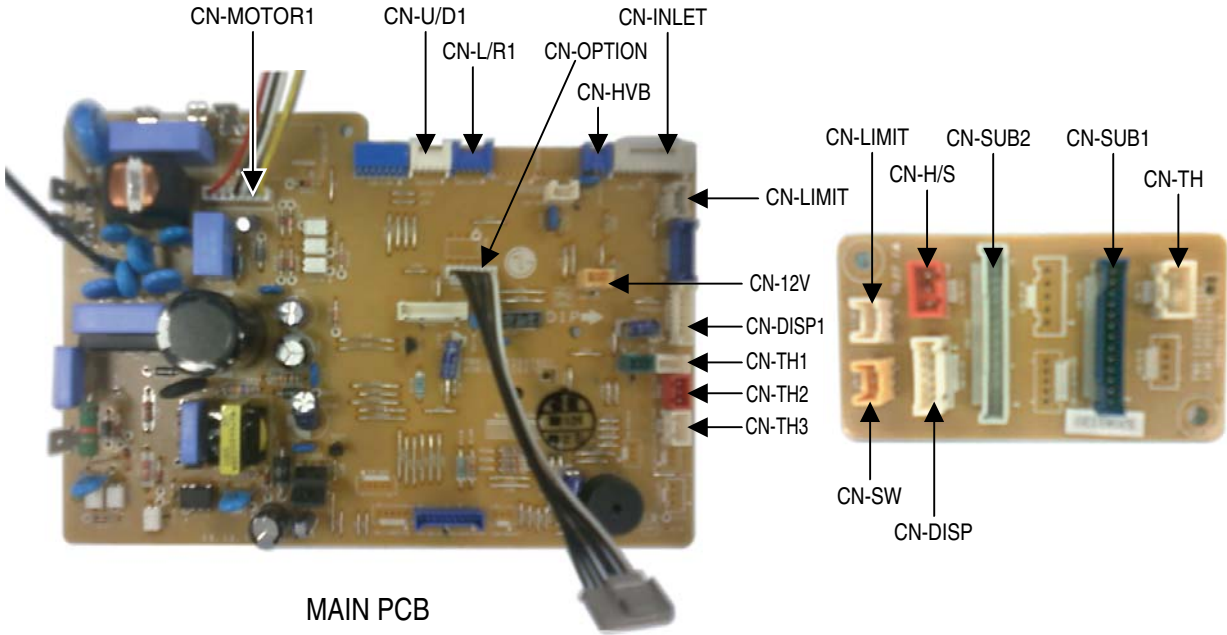
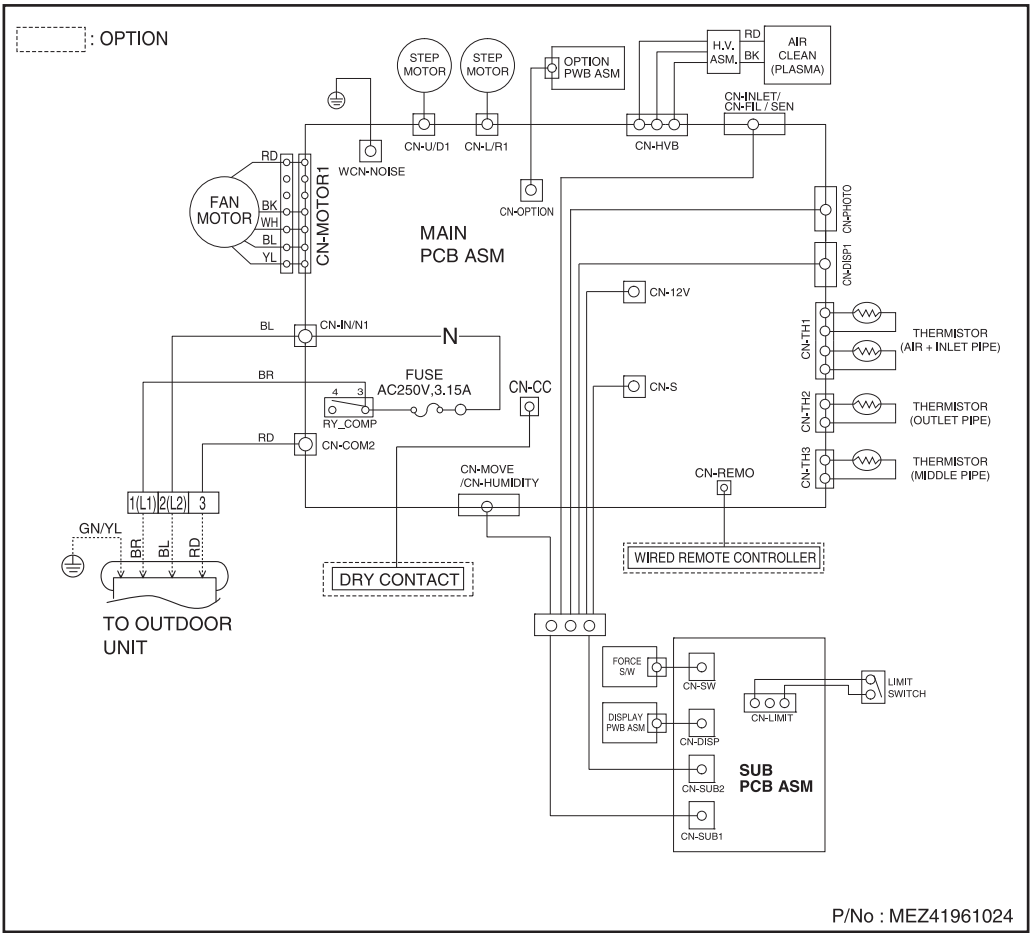
2. Piping Diagrams



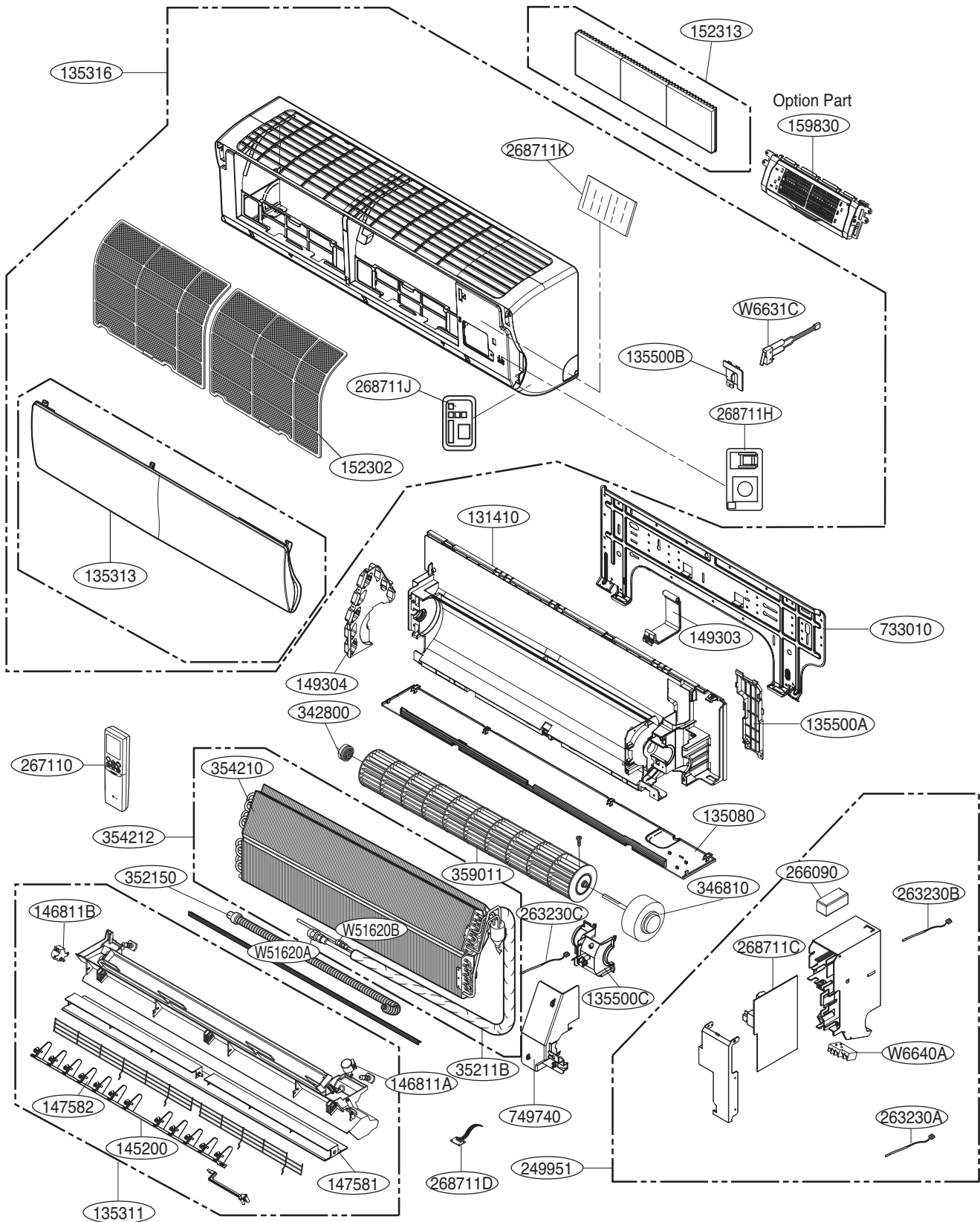
| LOC. | Description | PCB Connector |
|------|--|----------------|
| Th1 | Thermistor for suction air temperature | CN-TH1(Indoor) |
| Th2 | Thermistor for evaporator inlet temperature | |
| Th3 | Thermistor for evaporator outlet temperature | CN-TH2(Indoor) |
| Th4 | Thermistor for evaporator middle temperature | CN-TH3(Indoor) |

3. Wiring Diagrams

Indoor Unit



4. Exploded View





P/NO : MFL61777625

NOVEMBER, 2010