



Internal Use Only

<http://www.lge.com>

Room Air Conditioner

SVC MANUAL(Exploded View)

MODEL : AMNW18GDCL0 [LMN186HVT]

CAUTION

Before Servicing the unit, read the safety precautions in General SVC manual.
Only for authorized service personnel.

1. Specification

Indoor

Model			AMNW18GDCL0 [LMAN186HV]
Power Supply	Ø / V / Hz		1/208-230/60
Capacity(*)	Btu/h Class		18,000
Current	Running Current	A	0.28
Fan	Motor Type		BLDC
	Fan Type		Cross Flow Fan
	Motor Output(W) x No. of Unit		20x1
	Air Flow Rate (H / M / L)	CMM	12/10/8.2
		CFM	247/230/212
	External Static Pressure	mmAq	-
	Capacitor	µF / Vac	-
	Drive		Direct Drive
Coil	Row x Column x FPI		3R x 18C x 22
Dimensions (W x H x D)	Body	mm	1030 x 325 x 250
		inch	40-9/16 x 12-25/32 x 9-27/32
	Decorative Panel	mm	-
		inch	-
Net Weight	Body	kg (lbs)	11(24.5)
	Decorative Panel	kg (lbs)	-
Air Filter			Long Life Filter
Sound Level (H / M / L)		dB(A)+3	37/33/28
Piping	Liquid	mm (inch)	6.35 (1/4)
Connections	Gas	mm (inch)	12.7 (1/2)
	Drain(OD/ID)	mm (inch)	21.5/16 (0.846/0.630)
Dehumidification Rate		l/h	1.9
Safety Devices			Fuse, Thermal Protector for Fan Motor
Temperature Sensor			Thermistor
Refrigerant			R410A
Refrigerant Control			EEV(in Outdoor unit or BD)
Transmission Interunit Cable		No. x AWG	4x18(including earth)

Note:

1. Capacities are based on the following conditions:

- Cooling: - Indoor Temperature 27°C(80.6°F) DB/19°C(66.2°F) WB
- Outdoor Temperature 35°C(95°F) DB/24°C(75.2°F) WB
- Heating: - Indoor Temperature 20°C(68°F) DB/15°C(59°F) WB
- Outdoor Temperature 7°C(44.6°F) DB/6°C(42.8°F) WB
- Piping Length - Interconnecting Piping Length 7.5m
- Level Difference of Zero

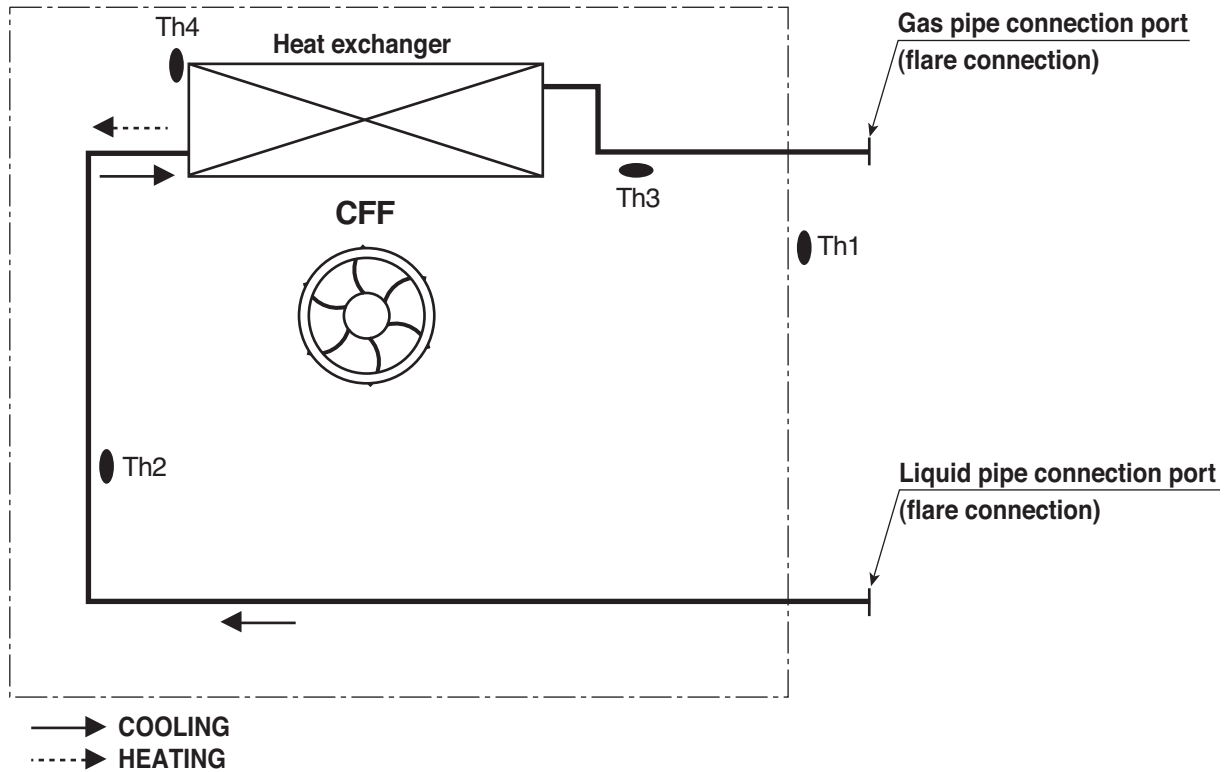
2. Wiring cable size must comply with the applicable local and national code.

3. The specification may be subject to change without prior notice for purpose of improvement.

Conversion Formula
kW = Btu/h x 0.0002931
cfm = CMM x 35.3

2. Piping Diagrams

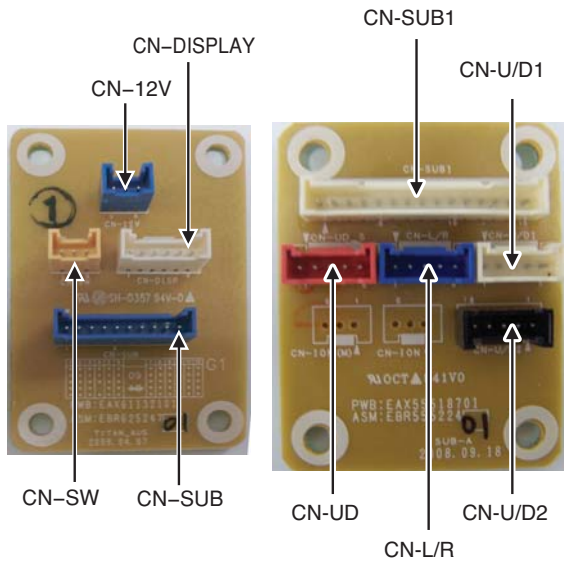
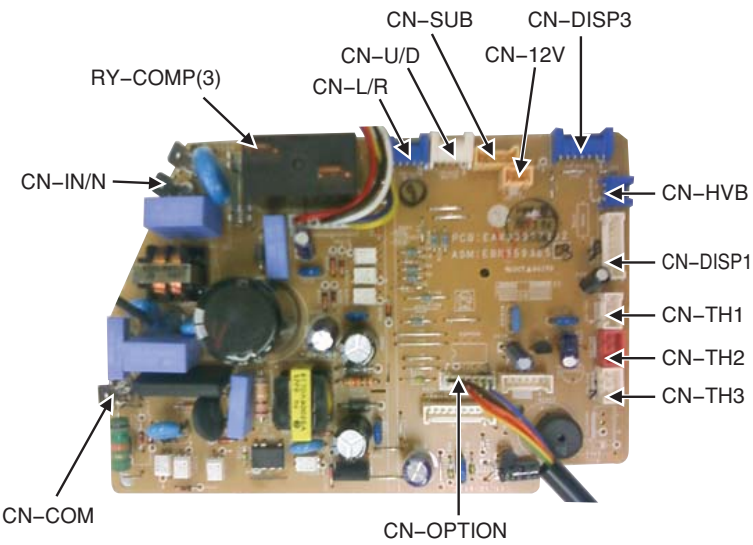
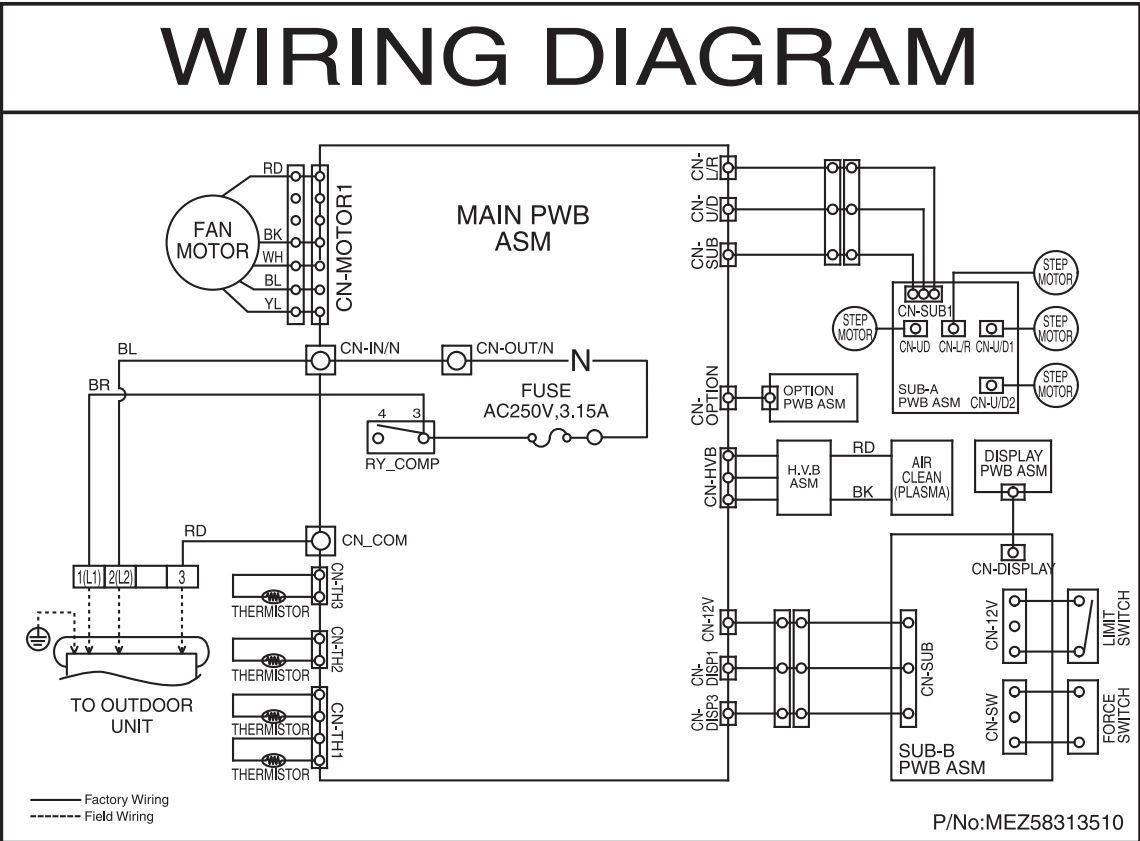
Indoor



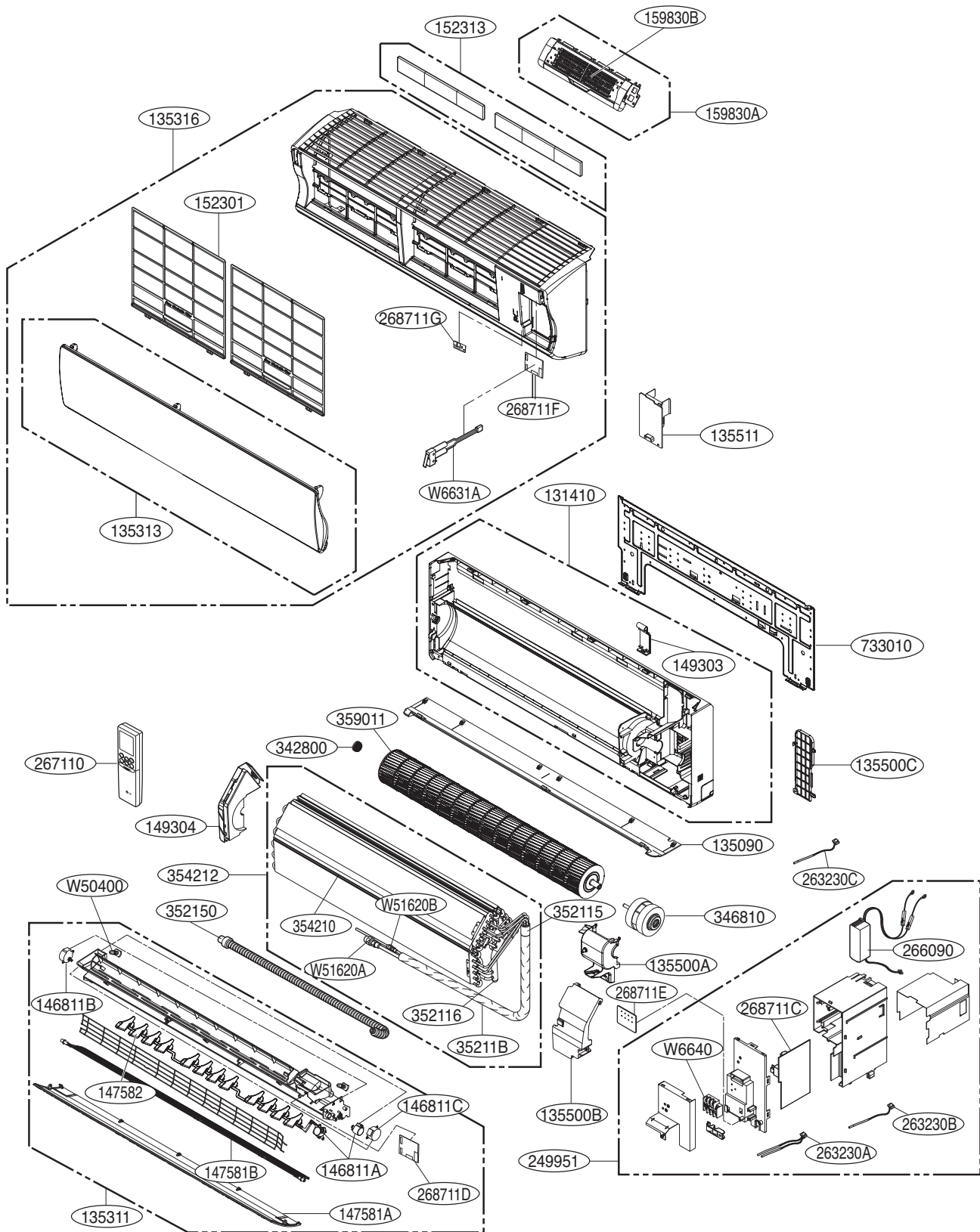
LOC.	Description	PCB Connector
Th1	Thermistor for suction air temperature	CN-TH1(Indoor)
Th2	Thermistor for evaporator inlet temperature	
Th3	Thermistor for evaporator outlet temperature	CN-TH2(Indoor)
Th4	Thermistor for evaporator middle temperature	CN-TH3(Indoor)

3. Wiring Diagrams

Indoor Unit



4. Exploded View



Note) * Please ensure GCSC since the replacement parts may be changed depending upon the buyer's request.
Please check the correct parts in View RPL(Replacement Part List) on GCSC.
(GCSC Website <http://www.lge.com>)



P/NO : MFL61777626

NOVEMBER, 2010