



Internal Use Only

<http://biz.lgservice.com>

Multi Air Conditioner

SVC MANUAL(Exploded View)

**MODEL : A3UW243FA2
LMU247HV**

CAUTION

Before Servicing the unit, read the safety precautions in General SVC manual.
Only for authorized service personnel.

1. Specification

Outdoor Spec.			A3UW243FA2(LMU247HV)
Capacity(*)		Btu/h Class	24000
Nominal Input	Cooling	kW	0.39~1.43~3.09
(Min~Rated~Max)	Heating	kW	0.42~2.21~3.10
Running Current	Cooling	A	2.8~6.6~14.0
	Heating	A	3.0~10.2~14.1
Starting Current	Cooling/Heating	A	-
Power Supply		Ø / V / Hz	1/208-230/60
Power Supply Cable (outdoor)		No. x AWG	3 x 12
transmission cable (outdoor to indoor)		No. x AWG	4 x 18 (Including Earth)
Dimensions	W x H x D	mm	870 x 808 x 320
		inch	34-1/4 x 31-13/16 x 12-19/32
Net Weight		kg(lbs)	59(130.1)
Net Weight(Package)		kg(lbs)	63(139)
Compressor	Type		Twin-Rotary
	Qty x Model		1 x GJT240D
	Motor Type		BLDC
	Oil Charge volume	cc	900
	Oil Type		FVC68D
Refrigerant	Charge (at 7.5m)	g(oz)	2100(74.1)
	Type		R410A
	Control		EEV
Heat Exchanger	(Rows x Column x FPI) x No.		(2R x 36C x 16) x 1
	Defrosting Method		Reversing cycle
Fan	Type		Propeller
	Motor Output(W) x No. of Unit		84 x 1
	Capacitor	µF/Vac	-
	Drive		DC
	Discharge direction(Side/Top)		Side
	Air Flow Rate * No. of Fan	CMM(CFM)	53(1872)
Sound Level(H)	Sound Pressure	dB(A)+3	51
Piping connections	Liquid(Cycle A)	mm(inch)	6.35(1/4) x 3EA
	Gas(Cycle A)	mm(inch)	9.52(3/8) x 3EA
Piping Length spec.	Main Piping	m(ft.)	75(246.1)
	Total Branch Piping	m(ft.)	25(82)
	Each Branch Piping	m(ft.)	37.5(123.0)
Max. Elevation Difference	Outdoor Unit~Indoor Unit	m(ft.)	15(49.2)
	Indoor Unit~Indoor Unit	m(ft.)	7.5(24.6)
Operation Range	Cooling	°C(°F)	-10 ~ 46(14~114.8)
	Heating	°C(°F)	-15 ~ 24(5~75.2)

Note:

1. Capacities are based on the following conditions:

- Cooling: - Indoor Temperature 26.7°C(80°F) DB/19.4°C(67°F) WB
- Outdoor Temperature 35°C(95°F) DB/23.9°C(75°F) WB
- Heating: - Indoor Temperature 21.1°C(70°F) DB/15.6°C(60°F) WB
- Outdoor Temperature 8.3°C(47°F) DB/6.1°C(43°F) WB
- Piping Length - Interconnecting Piping Length 7.5m(24.6 ft.)
- Level Difference of Zero

Conversion Formula
kW = Btu/h class X 0.0002931
cfm = CMM x 35.3

- 2. Wiring cable size must comply with the applicable local and national code.
- 3. The specification may be subject to change without prior notice for purpose of improvement.
- 4. At least two indoor units should be connected.
- 5. For more Capacity(*), refer to the combination table

2. Function Table

Category	Function	A3UW243FA2 / LMU247HV
Reliability	Defrost / Deicing	O
	High pressure switch	X
	Low pressure switch	O
	Phase protection	X
	Restart delay (3-minutes)	O
	Self diagnosis	O
	Soft start	O
	Test function	O
Convenience	Auto operation(Artificial intelligence)	O
	Auto restart operation	O
CAC network function	Network solution(LGAP)	O
	PDI(Power Distribution Indicator)	PQNUD1S00
	PI485	PMNFP14A0
Special function kit	Low ambient operation	O (Program logic)
Others	Thermistor	-

Note :

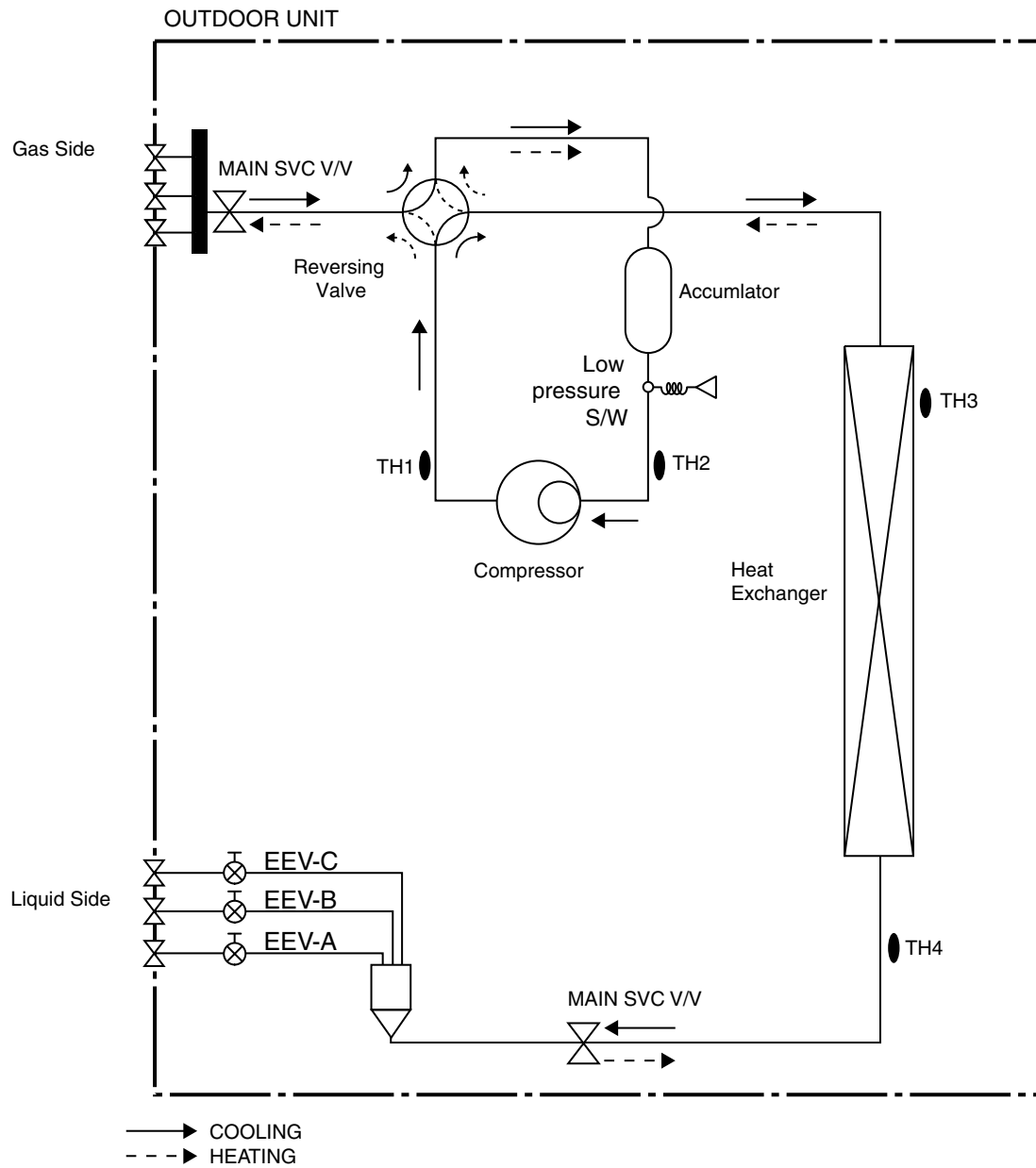
O : Applied X : Not applied - : No relation

Option : Model name & price are different according to options, and assembled in factory with main unit.

Accessory : Installed at field, ordered and purchased separately by the corresponding model name, supplied with separate package

H : These safty switcher are standard or optional features depending on region & country

3. Piping Diagrams

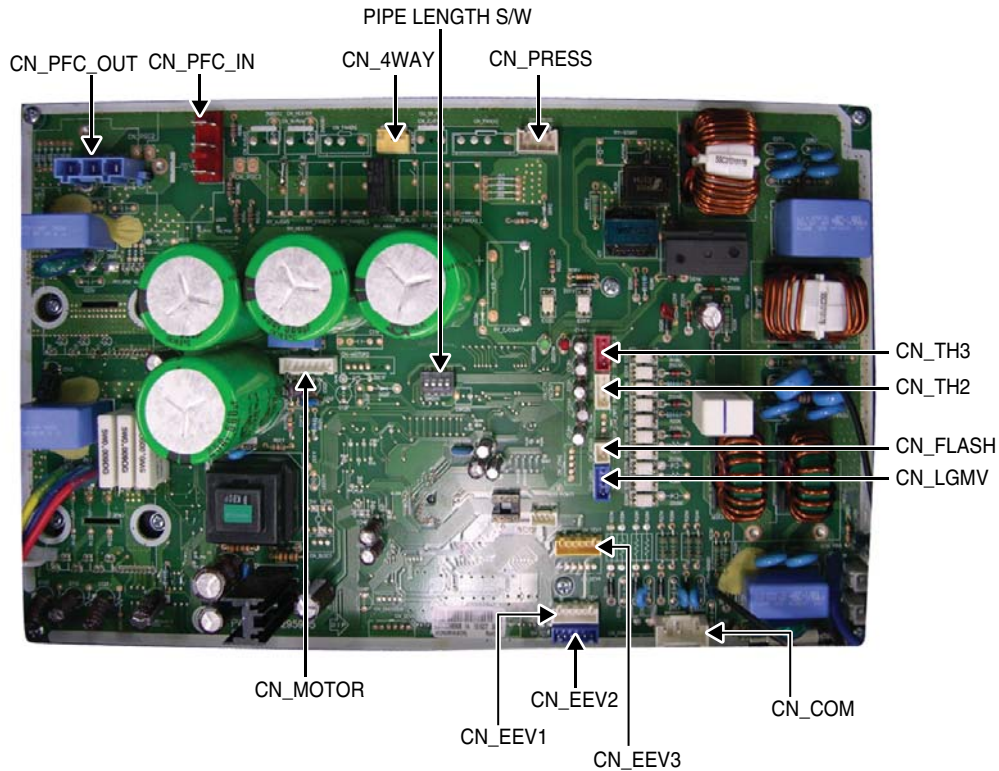
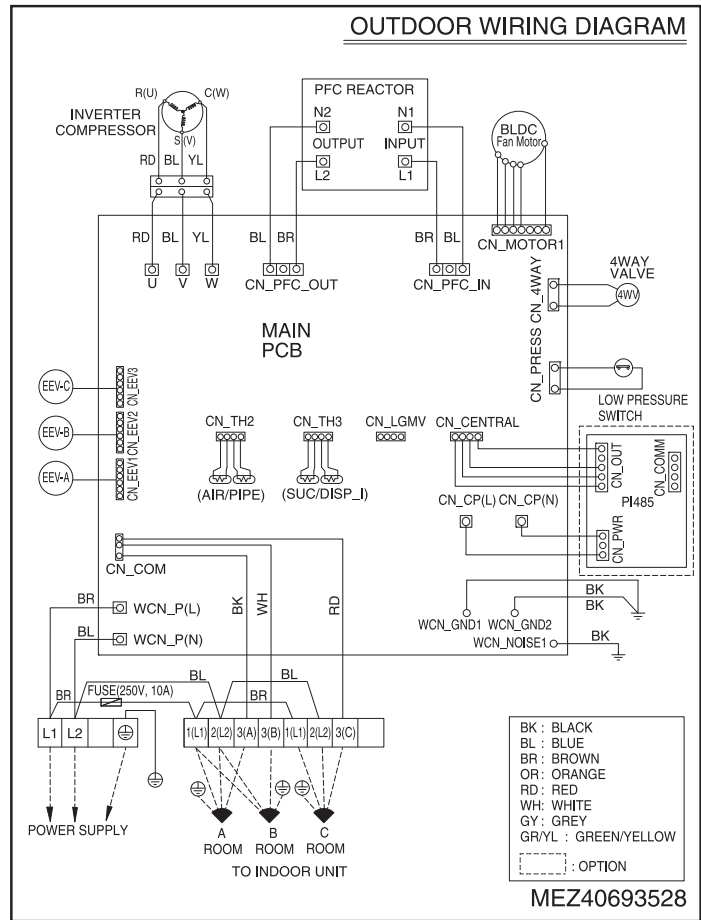


Note:

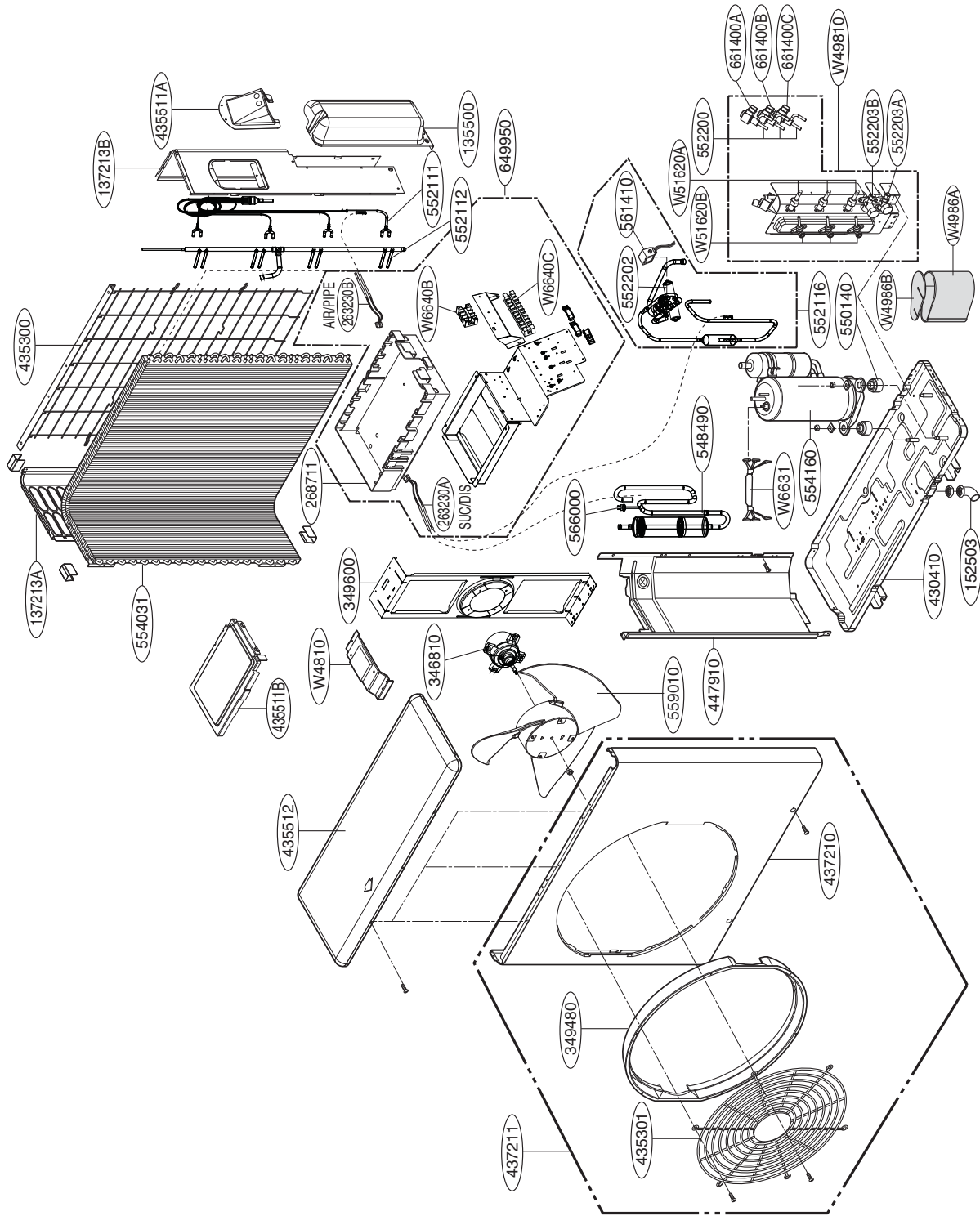
EEV: Electronic Expansion Valve

LOC.	Description	PCB Connector
Th1	Thermistor for discharge pipe temperature	CN_TH3
Th2	Thermistor for suction pipe temperature	CN_TH3
Th3	Thermistor for outdoor air temperature	CN_TH2
Th4	Thermistor for condensing temperature	CN_TH2

4. Wiring Diagrams



5. Exploded View



Model	Classification	Description	Part Number	Location Number	Remark
A3UW243FA2	Heating	Compressor	TBZ35296001	554160	-
LMU247HV		Harness,Multi	EAD41346203	W6631	

NOTE

* Please ensure GCSC since the replacement parts may be changed depending upon the buyer's request. Please check the correct parts in View RPL(Replacement Part List) on GCSC. (GCSC Website <http://biz.Lgservice.com>)



P/NO : MFL63721205

NOVEMBER, 2010