



Internal Use Only

<http://biz.lgservice.com>

Floor Standing Air Conditioner SVC MANUAL(Exploded View)

**MODEL : APNH423TLAE.ANWBEUS
[LFN426HV]**

CAUTION

Before Servicing the unit, read the safety precautions in General SVC manual.
Only for authorized service personnel.

1. Specifications

Indoor Unit

Indoor Unit Type			FLOOR STANDING
Model			APNH423TLAE
Power Supply	Ø / V / Hz		1 / 208/230 / 60
Cooling Capacity	kW		12.0
	Btu/h		4 100
Heating Capacity	kW		12.0
	Btu/h		4 100
Current	Nominal Running Current	A	1.5
Fan	Motor Type		IC-13870GL15R
	Fan Type		Sirocco type
	Motor Output(W) x No. of Unit		254 x 1
	Air Flow Rate(H / M / L)	CMM	35 / 30 / 25
		cfm	710 / 660 / 550
	External Static Pressure		mmAq
Capacitor		µF / Vac	20/370
Coil	Row x Column x FPI		3R x 34C x 19
Dimensions (W x H x D)		mm(inch)	590 X 1810 X 440 (23.23 X 71.26 X 17.32)
Net Weight		kg (lbs)	58.0(127.9)
Air Filter			Long life filter
Sound Level (H)		dB(A)+3	58
Piping Connections	Liquid	mm (inch)	9.52 (3/8)
	Gas	mm (inch)	15.88 (5/8)
Safety Devices			Thermal protector for fan motor
Temperature Sensor			Thermistor
Refrigerant			R410A
Refrigerant Control			EEV(Outdoor Unit)
Connectable Outdoor Unit			LUU426HV
Power Cable(Product/Heater)		No. x AWG	4x18

Note :

- Capacities are based on the following conditions:
 - Cooling - Indoor temperature 27°C(80.6°F)DB/19°C(66.2°F)WB
 - Outdoor temperature 35°C(95°F)DB/ 24°C(75.2°F)WB
 - Heating - Indoor temperature 20°C(68°F)DB/ 15°C(59°F)WB
 - Outdoor temperature 7°C(44.6°F)DB/ 6°C(42.8°F)WB
 - Piping Length - Interconnecting Piping Length 7.5m
 - Level Difference of Zero
- Wiring cable size must comply with the applicable local and national code.
- The specification may be subject to change without prior notice for purpose of improvement.

2. Function Table

Indoor Unit

Category	Function	APNH423TLAE
Air flow	Air supply outlet	1
	Airflow direction control(left & right)	O
	Airflow direction control(up & down)	O
	Auto swing(left & right)	O
	Auto swing(up & down)	O
	Airflow steps(fan/cool/heat/Plasma)	3/3/3/-
	Chaos swing	X
	Chaos wind(auto wind)	X
	Jet cool(Power wind)	O
Air purifying	Swirl wind	X
	Deodorizing filter	X
	Plasma air purifier	X
Installation	Prefilter(washable / anti-fungus)	O
	Drain pump	X
	E.S.P. control	X
	Electric heater(operation)	X
Reliability	High ceiling operation	X
	Hot start	O
	Self diagnosis	O
Convenience	Soft dry operation	O
	Auto changeover	O
	Auto cleaning	O
	Auto operation(artificial intelligence)	X
	Auto restart operation	O
	Child lock	O
	Forced operation	O
	Group control	X
	Sleep mode	X
	Timer(on/off)	O
	Timer(weekly)	X
Individual control	Two thermistor control	O
	Standard wired remote controller	X
	Deluxe wired remote controller	X
	Simple wired remote controller	X
	Wired remote controller(for hotel use)	X
	Wireless remote controller(simple)	X
CAC network function	Wireless LCD remote control	O(NEW)
	General central controller (Non LGAP)	X
	Dry contact	X
	Network Solution(LGAP)	X
	PDI(power distribution indicator)	X
Special function kit	PI 485	X
	Zone control	X
	CTIE	X
Others	Electro thermostat	X
	Thermistor	X

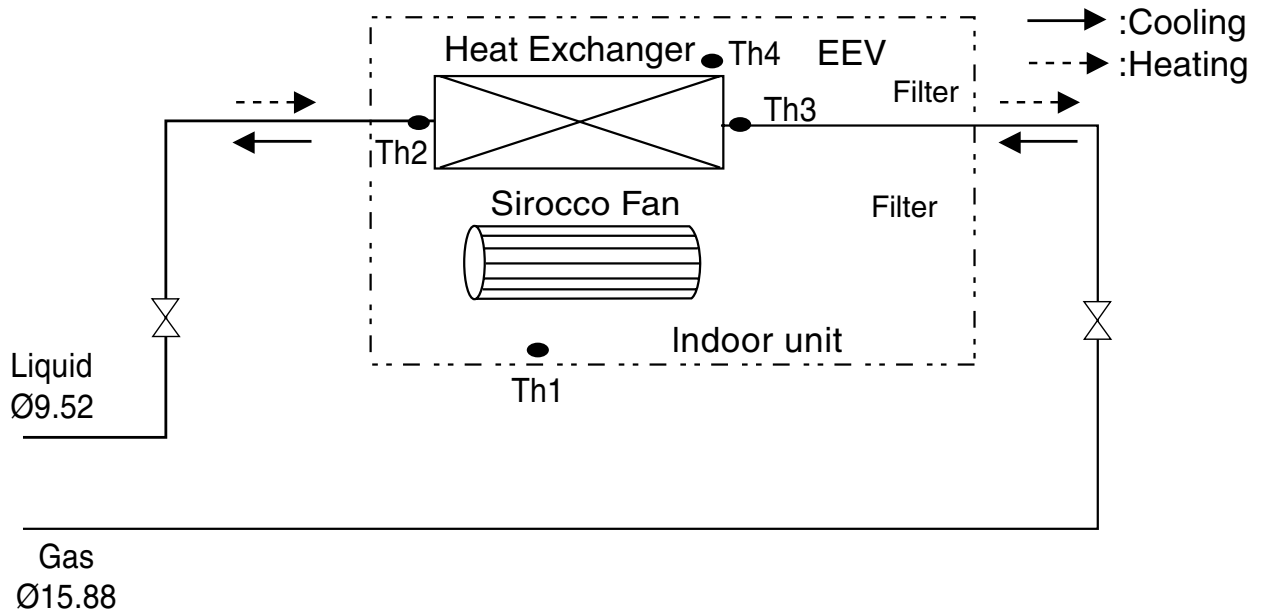
Note:

O : Applied X : Not applied - : No relation

Option : Model name & price are different according to options, and assembled in factory with main unit.

Accessory : Installed at field, ordered and purchased separately by the corresponding model name, supplied with separate package

3. Piping Diagrams

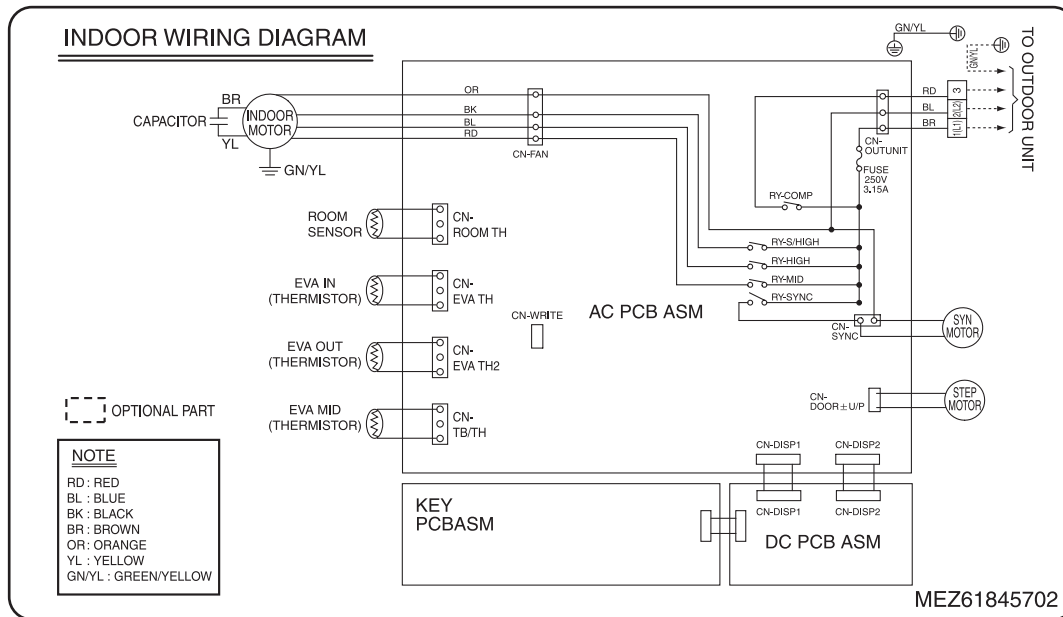


LOC.	DESCRIPTION	PCB Connector
Th1	Thermistor for inlet air temperature	CN_ROOM/TH
Th2	Thermistor for EVA. in temperature	CN_EVA/TH
Th3	Thermistor for EVA. out temperature	CN_EVA/TH2
Th4	Thermistor for EVA. middle temperature	CN_TB/TH

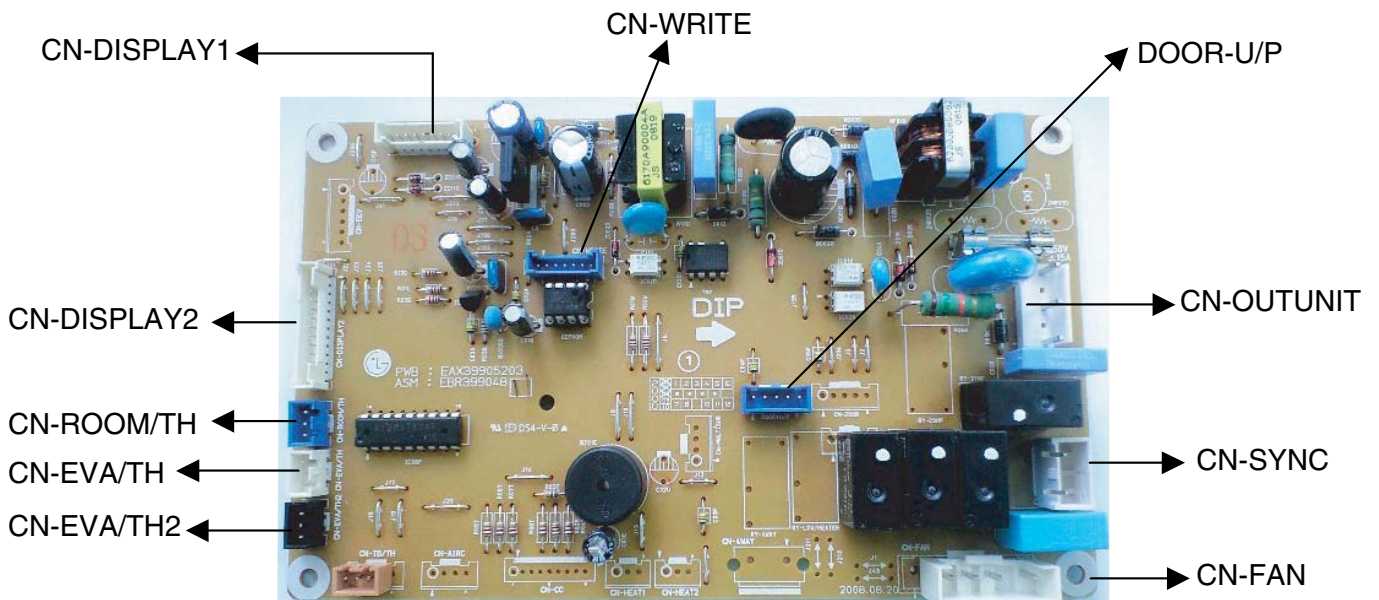
4. Wiring Diagram

Indoor Unit

◆ APNH423TLAE

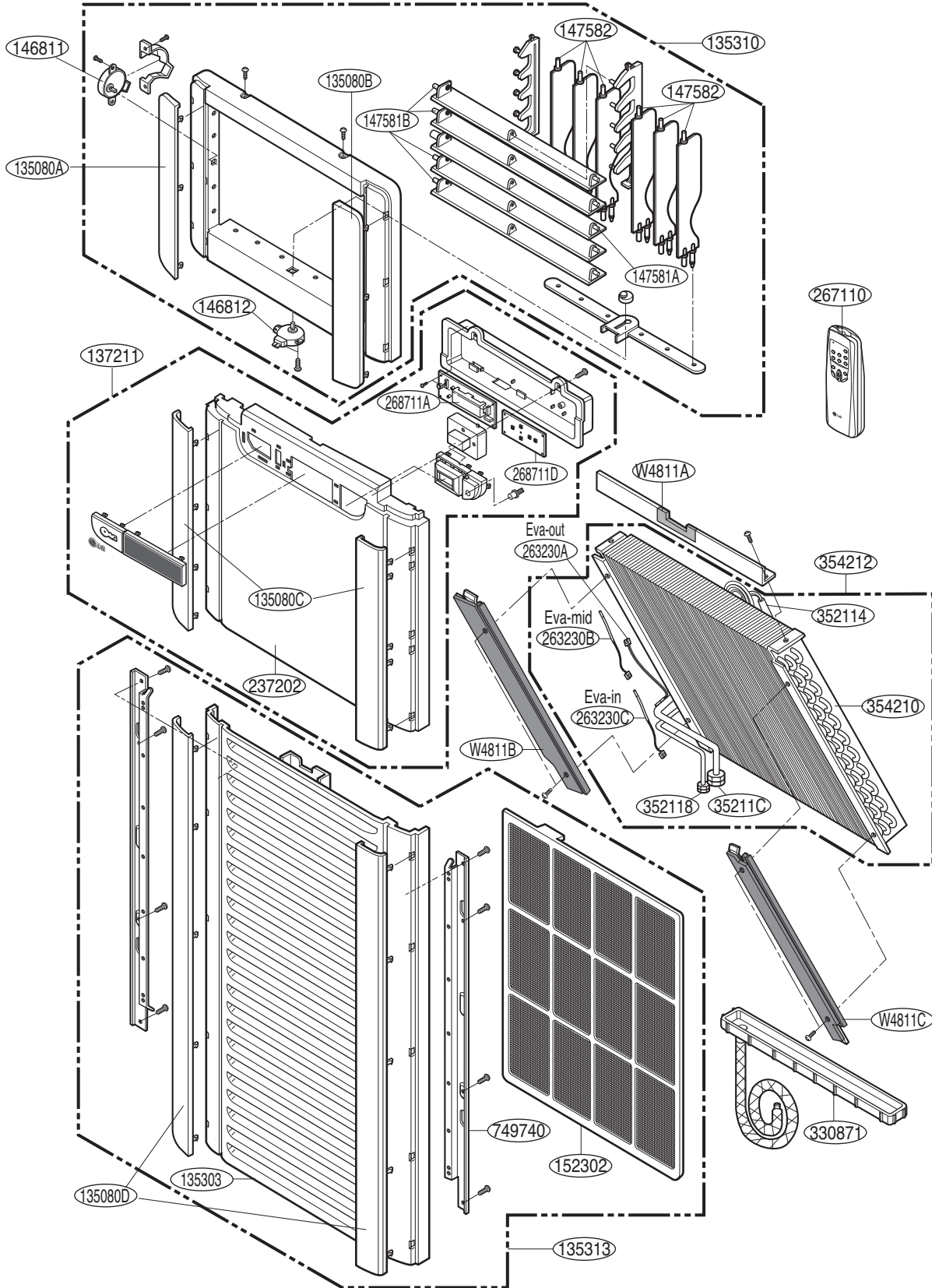


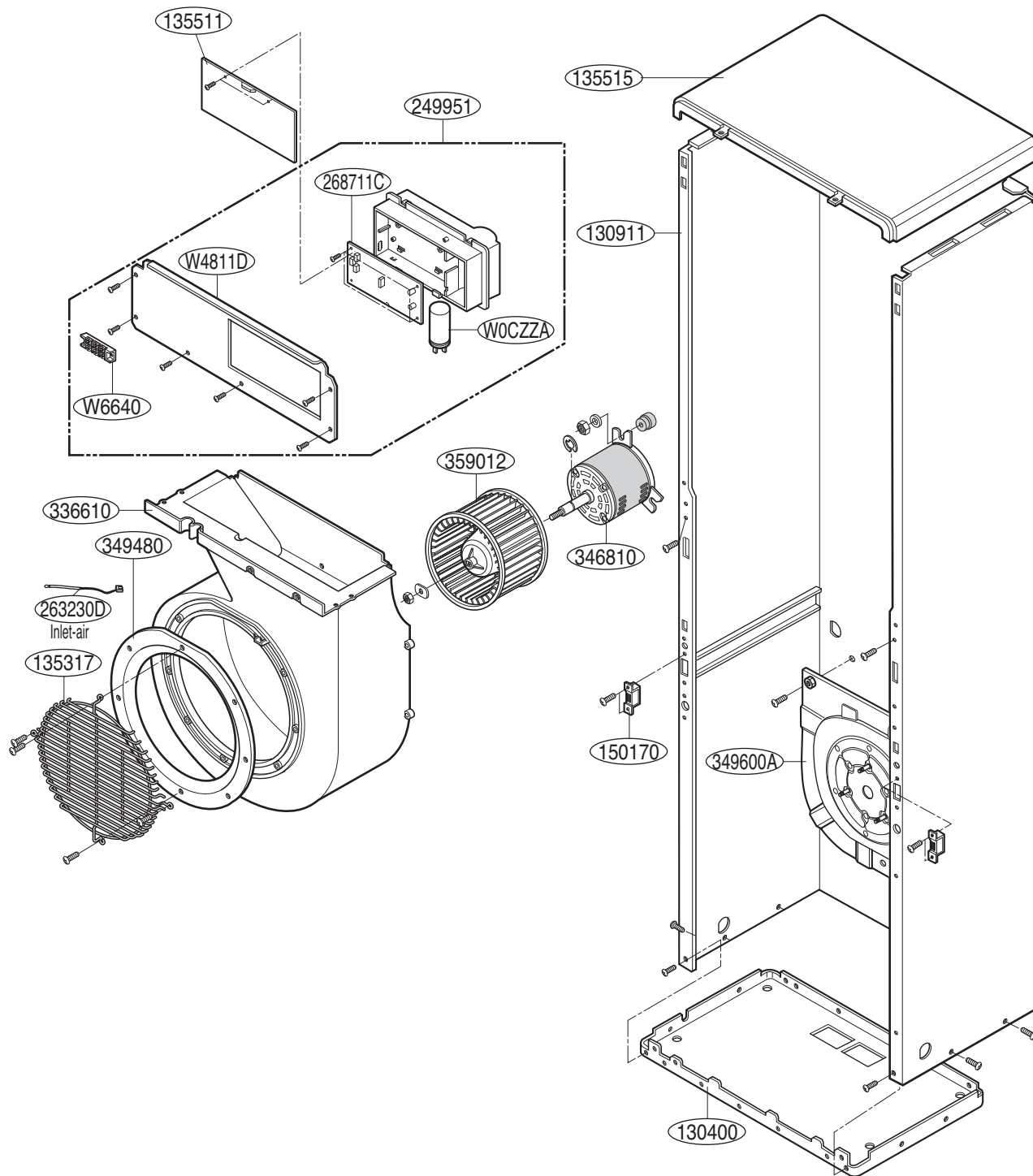
◆ AC PCB



5. Exploded View

Indoor Unit







P/NO : MFL62129311

JULY, 2011