

Job Name : _____
 Purchaser : _____
 Engineer : _____
 Submitted To : _____
 Submitted By : _____
 Unit Designation : Schedule No.: _____

Location : _____
 P.O. No. : _____
 Architect : _____
 Date : _____
 For : Reference Approval Construction
 Model No.: _____

Submittal Data : LF246HV **Floor Standing Single Zone**

System Model #

Indoor Model # LFN246HV
 Outdoor Model # LUU246HV



Performance :

Capacity Cooling (BTUs)	23,000
Heating (BTUs)	25,000
SEER	13
HSPF	7.7
EER	9.2/9.8
Air Circulation (CFM H/M/L)	671/565/459
Fan Speeds (Cooling/Fan)	3/3
Dehumidification (pts/hr)	-
Sound Data - Indoor ±3dB(A)	45/42/40
Sound Data - Outdoor ±3dB(A)	55

Refrigerant Piping :

Refrigerant Type	R410a
Refrigerant Charge (25ft)(lbs)	4.41
Liquid Side (inches, O.D)	3/8
Suction Side (inches, O.D)	5/8
Additional Refrigerant (oz./ft.)	0.38
Maximum Pipe Length (ft)	98
Piping length (no add'l refrigerant, ft.)	25
Maximum Elevation (ft)	66

Electrical :

Outdoor Unit:

Rated Voltage Outdoor (V, Hz, Ph)	208-230/60/1
Maximum Overcurrent Protection (A)	25
Minimum Circuit Ampacity (A)	17.6
Cooling Running Current (Rated) (A)	11.0
Heating Running Current (Rated) (A)	16.1
Compressor Running Current (Rated) (A)	13.1
Fan Motor Running Current (Rated) (A)	0.6

Indoor Unit:

Rated Voltage Indoor (V, Hz, Ph)	208-230/60/1
Power Input (Rated)	
Cooling (kW)	2.5
Heating (kW)	2.55

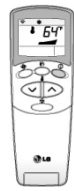
Operating Range (Indoor) :

Cooling (°F)	64-90
Heating (°F)	61-86

Operating Range (Outdoor) :

Cooling (°F)	14-115
Heating (°F)	5-75

Accessory :



Wireless Remote Controller (PQWRHDF0) included in indoor unit package

Dimensions (WxHxD) :

Indoor Dimension (inches)	22 7/16 x 71 21/32 x 12 19/32
Indoor Weight (lbs)	94.8
Outdoor Dimension (inches)	34 1/4 x 31 13/16 x 12 5/8
Outdoor Weight (lbs)	132

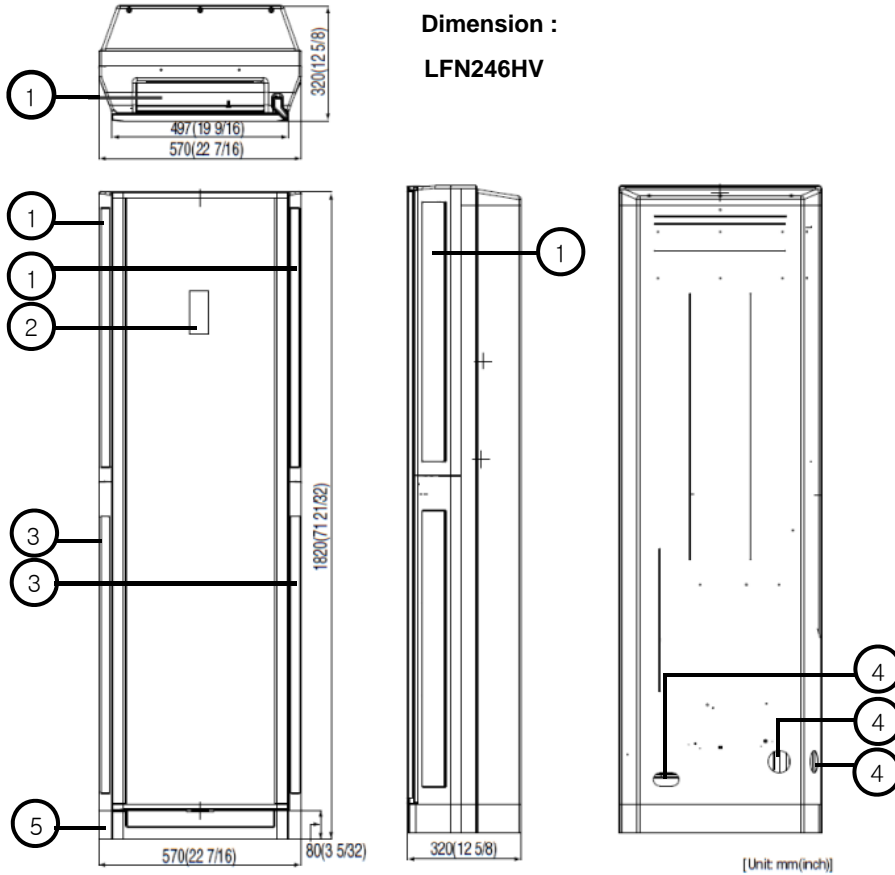
Note :

Standard Features :

- Limited Five Year Compressor Warranty
- Limited Two Year Functional Parts Warranty
- Inverter (Variable speed compressor)
- R-410a Refrigerant
- Three-dimensional cooling
- Jet Cool
- Evaporator frost control
- Auto restart
- Auto changeover
- Plasma Air Purifying System
- Ultra-quiet turbo fan
- Gold Fin™ Anti-Corrosion Treatment for Condenser
- Built-in low ambient standard, down to 14°F (cooling mode)

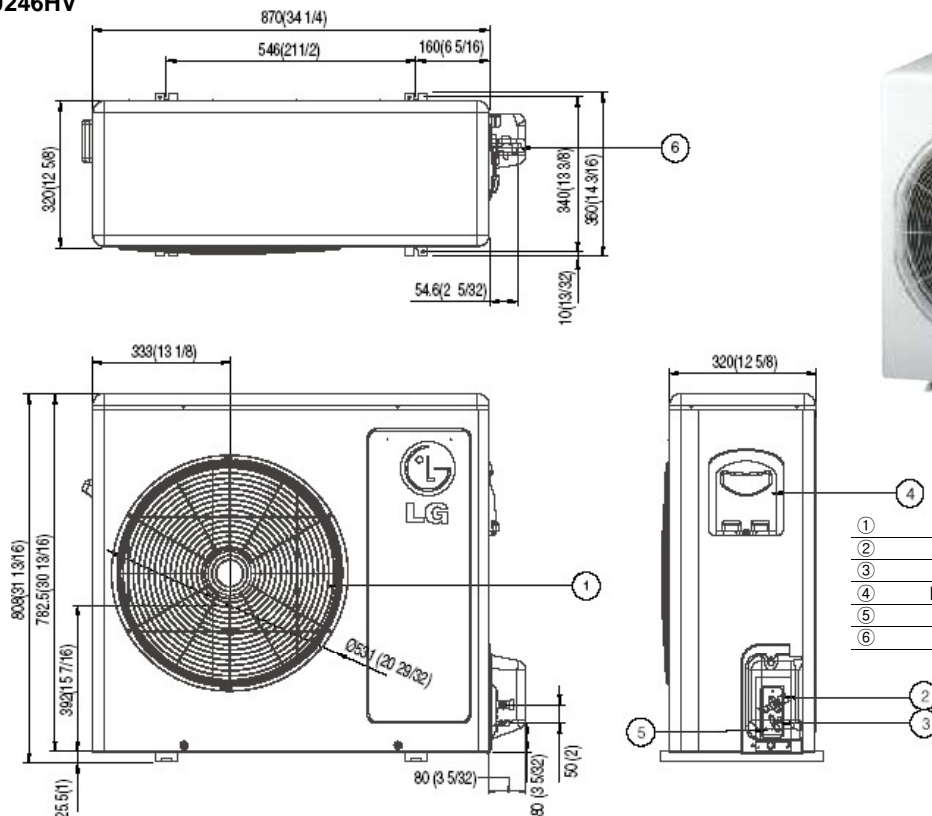
Submittal Data : LF246HV

Floor Standing Single Zone



- ① Air Discharge Grille (Supply)
- ② Control Display, Signal Receiver
- ③ Air Suction Grille (Return)
- ④ Knock-out Holes for Piping and Wiring
- ⑤ Installation Plate (Bottom)

LUU246HV



- ① Air Discharge Grille
- ② Gas Pipe Connection
- ③ Liquid Pipe Connection
- ④ Power & Communication Cable Connection
- ⑤ Earth Ground Screw
- ⑥ Service Valve Cover