



Internal Use Only

<http://biz.lgservice.com>

# Room Air Conditioner

## SVC MANUAL(Exploded View)

**MODEL : AS-W363DGU1(Set)**  
**ASNW363DGU1**  
**ASUW363DGU1**  
**AS-W303DGU1(Set)**  
**ASNW303DGU1**  
**ASUW303DGU1**

### **CAUTION**

Before Servicing the unit, read the safety precautions in General SVC manual.  
Only for authorized service personnel.

# 1. Product Specifications

Sales Model		LS307HV	LS360HV	
Models		AS-W303DGU1	AS-W363DGU1	
Cooling Capacity	Unit			
	kW	0.90 ~ 8.79 ~ 9.46	0.90 ~ 9.67 ~ 9.96	
Heating Capacity	Unit			
	kW	3,070 ~ 30,000 ~ 32,300	3,070 ~ 33,000 ~ 34,000	
Power Input	Unit			
	W	0.90 ~ 9.38 ~ 10.81	0.90 ~ 10.32 ~ 11.40	
Running Current	Cooling/Heating	A	A	
Starting Current	Cooling/Heating	A	A	
EER	Unit			
	W/W	3,000/3,100	4,035/3,840	
SEER	Unit			
	Btu/h.W	13.4/13.9	17.0/16.2	
HSPF	Unit			
	W/W	2.93	2.4	
Power Supply	Unit			
	Ø / V / Hz	10	8.2	
Power Factor	Unit			
	%	18	16.1	
Air Flow Rate	Unit			
	m <sup>3</sup> /min(CFM)	9.5	9.9	
Moisture Removal	Unit			
	l/h.	1/208-230/60	1/208-230/60	
Sound Level	Unit			
	dB(A)±3	97.3	98.2	
Refrigerant & Charge (at 7.5 m)	Unit			
	g(oz)	25(883)	25(883)	
Additional Refrigerant charge	Unit			
	g/m(oz/ft)	60(2,119)	60(2,119)	
Compressor	Type	4.6	4.8	
	Model	48/44/39/37	49/44/39/37	
	Motor Type	55	55	
	Oil Type	R410A, 2,000(70.5)	R410A, 2,000(70.5)	
	Oil Charge	cc	35(0.38)	
	O.L.P. name	-	-	
Fan(Indoor)	Type	Twin Rotary	Twin Rotary	
	Motor Output	W	W	
Fan(Outdoor)	Type	Cross Flow Fan	Cross Flow Fan	
	Motor Output	W	W	
Circuit Breaker*	Unit			
	A	124	124	
Power Supply Cable	Unit			
	No.*mm <sup>2</sup>	25	25	
Power and Transmission Cable No.*mm <sup>2</sup>	Unit			
	No.*mm <sup>2</sup>	3*2.5	3*2.5	
Piping Connections	Liquid Side	9.52(3/8)	9.52(3/8)	
	Gas Side	15.88(5/8)	15.88(5/8)	
Drain Hose(O.D / I.D.)	Unit			
	mm(in)	21.5 / 16.0(0.85 / 0.63)	21.5 / 16.0(0.85 / 0.63)	
Dimensions	Indoor (W*H*D)	mm	1209*346*205	
		inch	47-5/8*13-5/8*8-1/16	
	Outdoor (W*H*D)	mm	870*800*320	
		inch	34-5/16*31-1/2*12-5/8	
Net Weight	Indoor	kg(lbs)	18(39.7)	
	Outdoor	kg(lbs)	60(132.3)	
Gross Weight	Indoor	kg(lbs)	20(44.1)	
	Outdoor	kg(lbs)	64(141.1)	
Operation Range	Cooling(Outdoor)	°C(°F)	-10~48(14~118.4)	
	Heating(Outdoor)	°C(°F)	-10~24(14.0~75.2)	
Piping Length (Min/Max)	Unit			
	m(ft)	- / 30(98.4)	- / 30(98.4)	
Chargeless	Unit			
	m(ft)	-	-	
Max. Elevation Difference	Unit			
	m(ft)	15(49.2)	15(49.2)	
Tool Code(Chassis)	Indoor + Outdoor	SD + UE1+	SD + UE1+	
	Temperature Control	Thermistor	Thermistor	
Functions	Allergy free filter	O	O	
	Plasma Filter	O	O	
	Prefilter(washable/anti-fungus)	O	O	
	Auto Clean	O	O	
	CHAOS Wind(Auto Wind)	O	O	
	Steps, Fan/Cool/Heat	3/4/3	3/4/3	
	Airflow Direction Control(up& Down)	Auto	Auto	
	Airflow Direction Control(left & right)	Auto	Auto	
	Remote Controller Type	Wireless LCD(EZ-Remocon)	Wireless LCD(EZ-Remocon)	
	Setting Temperature Range	Cooling	18°C ~ 30°C	18°C ~ 30°C
		Heating	16°C ~ 30°C	16°C ~ 30°C
	Auto Operation (Micom Control)	-	-	
	Auto Changeover (Micom Control)	O	O	
	Self Diagnosis	O	O	
	Timer	24h, On/Off	24h, On/Off	
	Sleep Operation	O	O	
	Soft Dry Operation	O	O	
	Restart Delay(minute)	3	3	
	Deice Control(Defrost)	O	O	
	Hot Start	O	O	
	Jet Cool	O	O	
	Low Ambient Operation	O	O	
	Special Function	-	-	

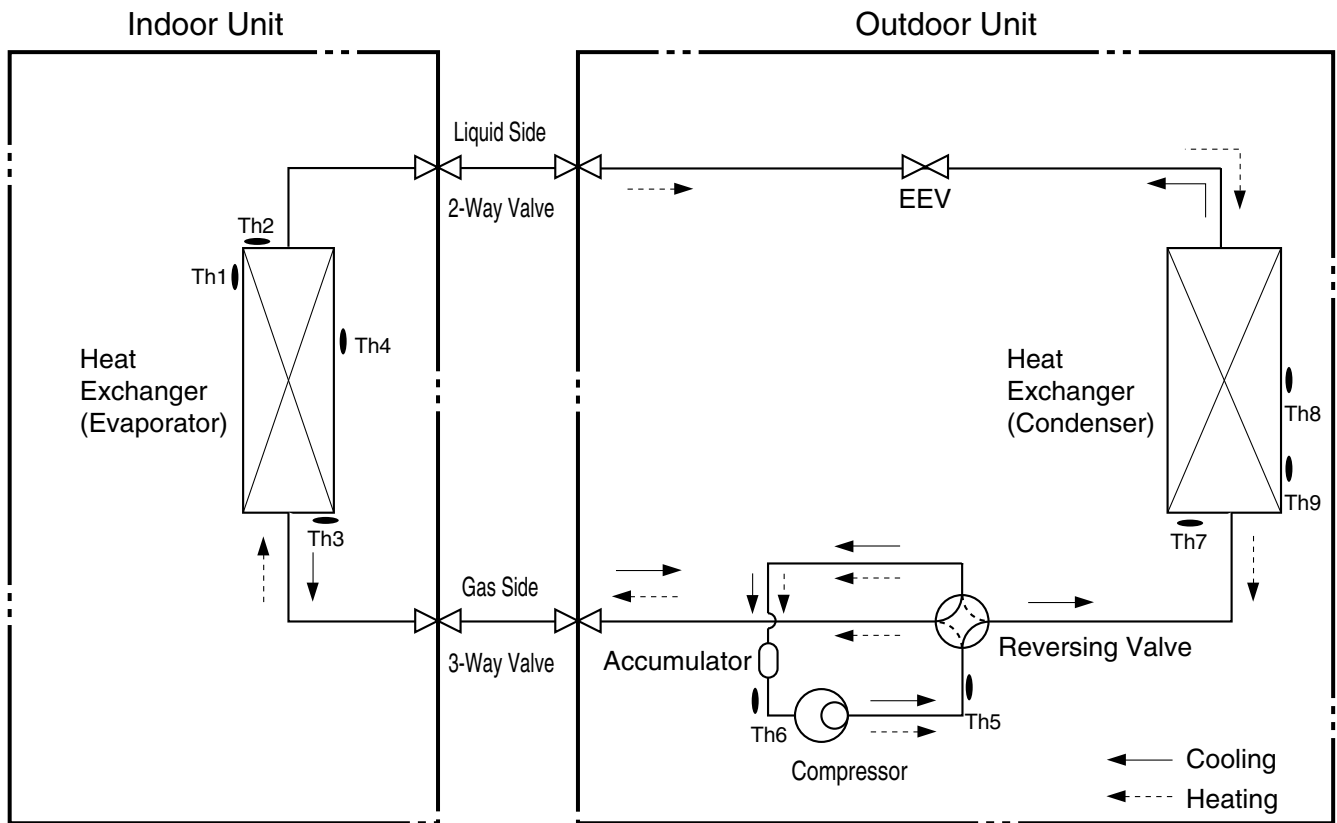
**Note :**

O : Applie, X : Not applied, - : No relation

• Filters are optional in some specific areas.

• For Circuit Breaker Rating, please conform to local standards whenever necessary.

## 2. Piping Diagrams

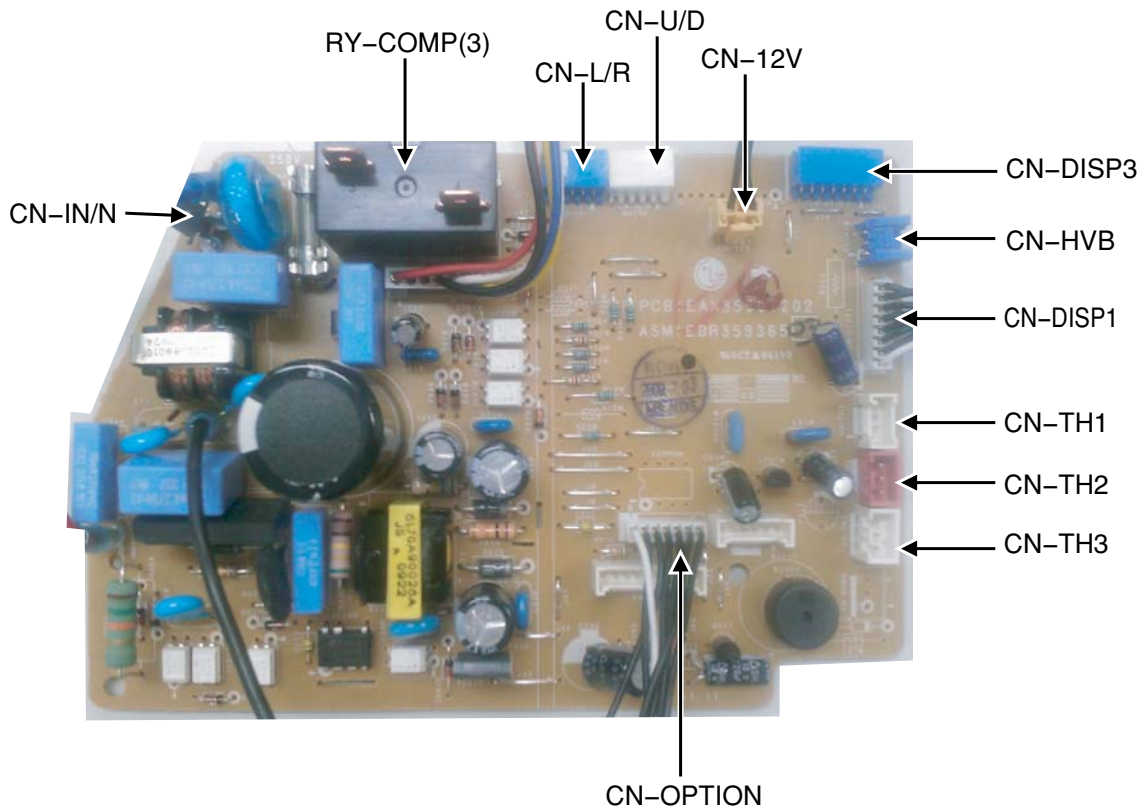
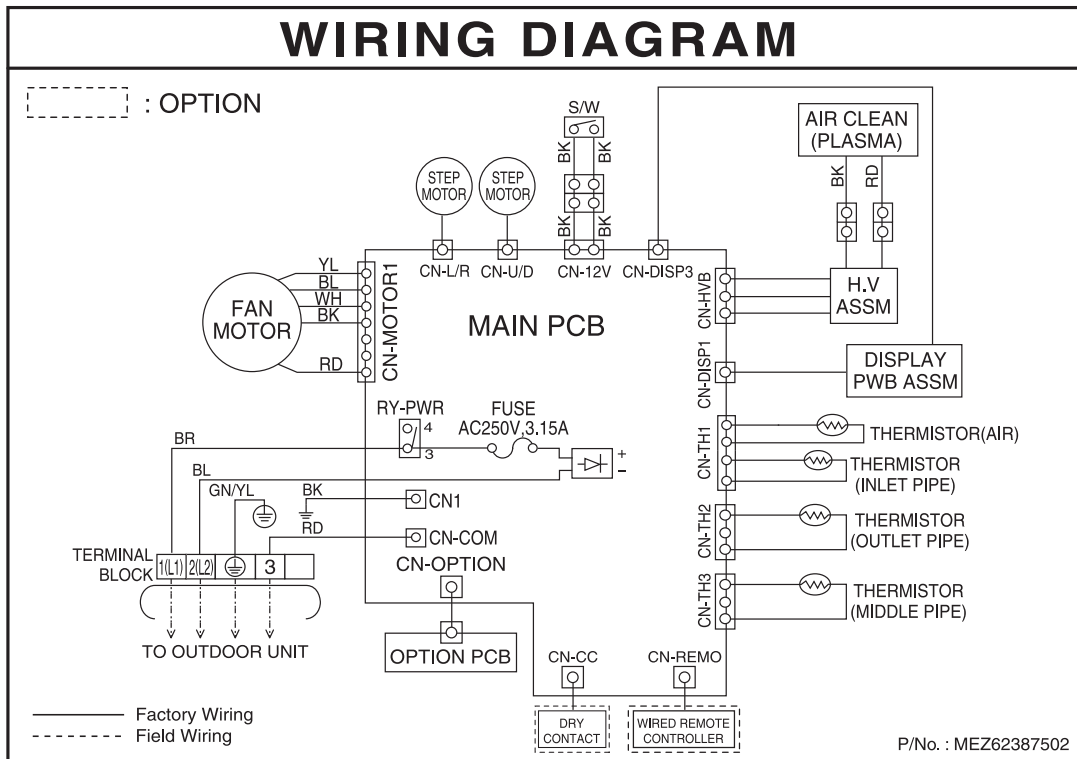


LOC.	Description	PCB Connector
Th1	Thermistor for suction air temperature	CN-TH1(Indoor)
Th2	Thermistor for evaporator inlet temperature	
Th3	Thermistor for evaporator outlet temperature	
Th4	Thermistor for evaporator middle temperature	
Th5	Thermistor for discharge pipe temperature	CN-TH3(OUTDOOR)
Th6	Thermistor for suction pipe temperature	
Th7	Thermistor for condensing temperature	CN-TH2(OUTDOOR)
Th8	Thermistor for outdoor air temperature	
Th9	Thermistor for condensing middle temperature	CN-TH4(OUTDOOR)

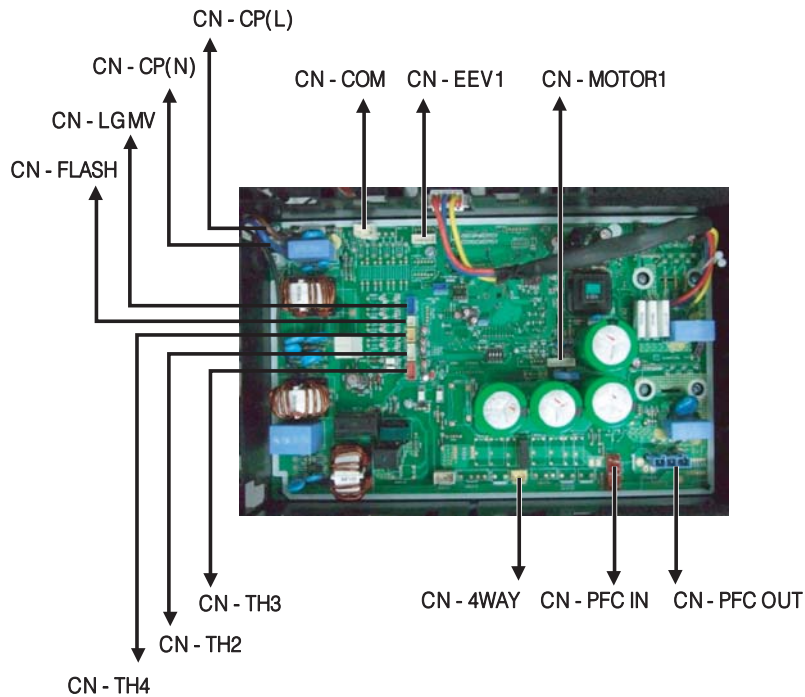
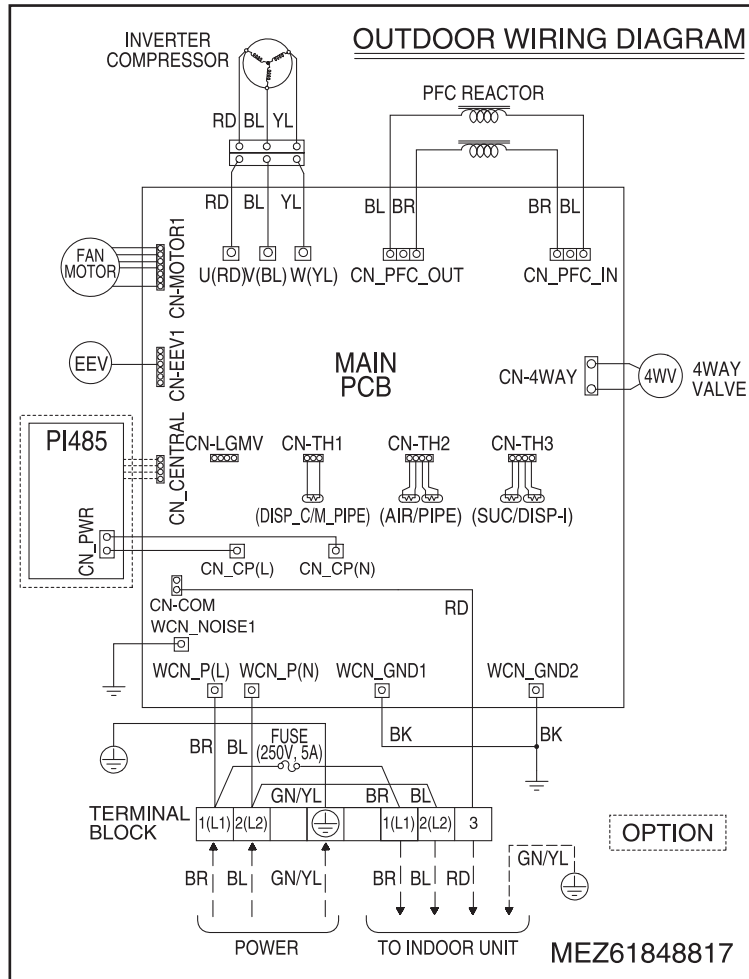
※ EEV : Electronic Expansion Valve

### 3. Wiring Diagrams

#### Indoor Unit

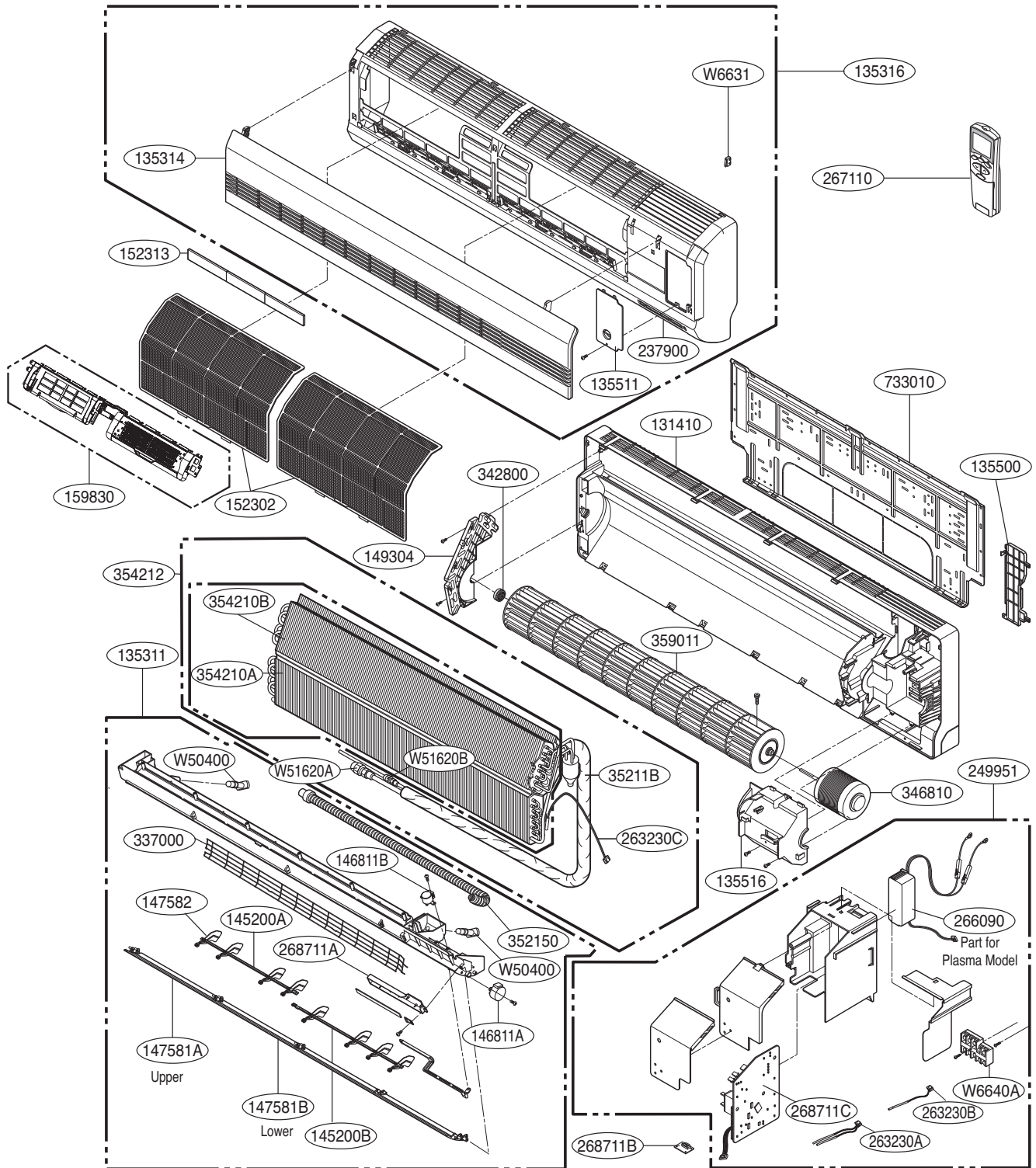


# Outdoor Unit



# Exploded View

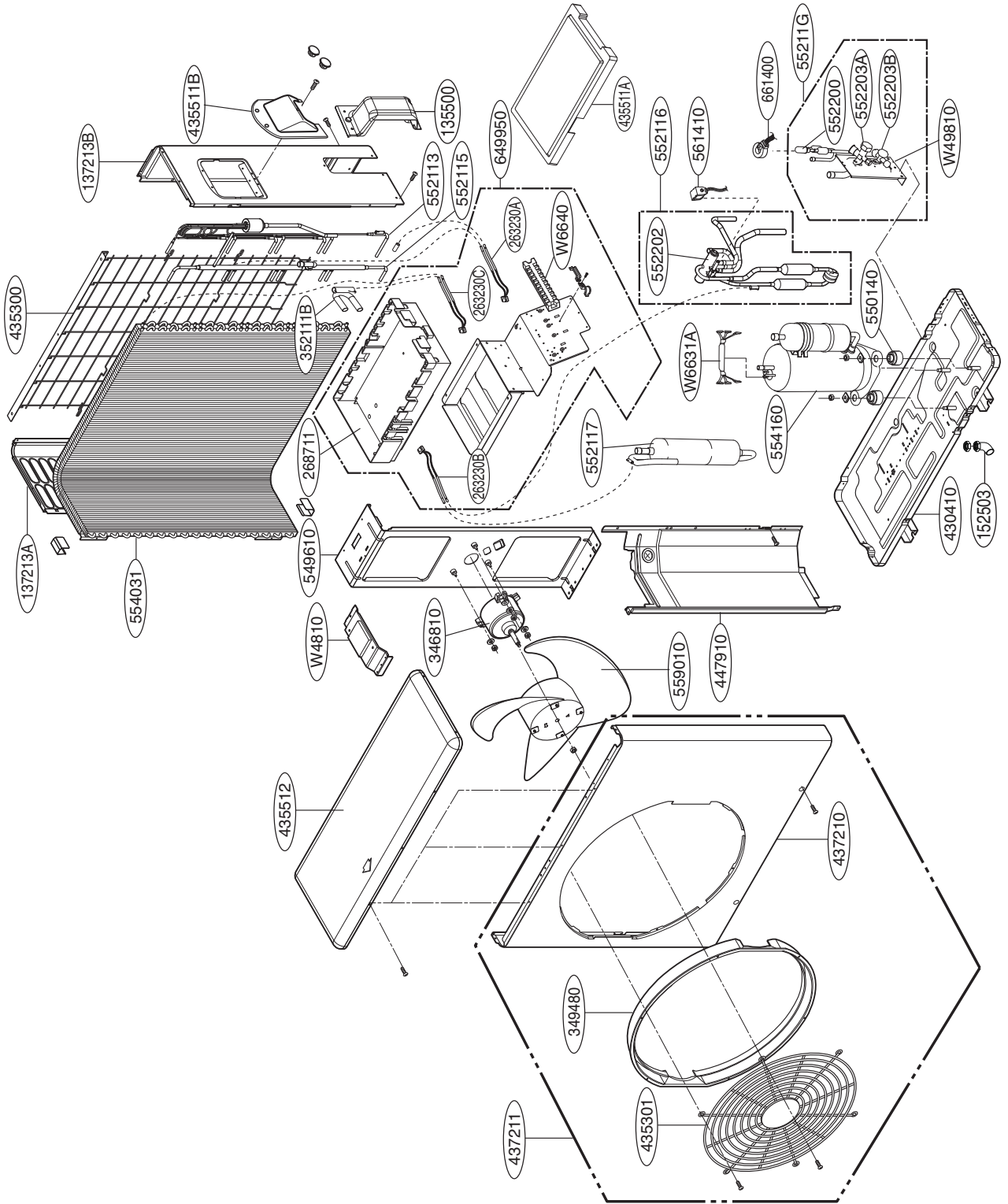
## Indoor Unit



Note) \* Please ensure GCSC since the replacement parts may be changed depending upon the buyer's request.  
 Please check the correct parts in View RPL(Replacement Part List) on GCSC.  
 (GCSC Website <http://biz.Lgservice.com>.)



# Outdoor Unit





US	1. Please call the installing contractor of your product, as warranty service will be provided by them. 2. If you have service issues that have not been addressed by the contractor, please call 1-888-865-3026.
CANADA	Service call Number # : (888) LG Canada, (888) 542-2623

P/NO : MFL33984927

JULY, 2010