



Cassette-Type Air Conditioner **SVC MANUAL(Exploded View)**

MODEL : ATNH243PLAE[LCN246HV]

CAUTION

Before Servicing the unit, read the safety precautions in General SVC manual.
Only for authorized service personnel.

1. Specification

Indoor unit type			Ceiling Cassette - 4way	
Model			ATNH243PLAE[LCN246HV]	
Decoration panel			PT-UMC	
Power Supply	ØV/Hz		1 / 208-230 / 60	
Cooling Capacity	kW		6.74	
	Btu/h		23,000	
Heating Capacity	kW		7.33	
	Btu/h		25,000	
Current	Nominal running current	A	10.4	
Fan	Motor Type		BLDC	
	Fan Type		Turbo Fan	
	Motor Output x Number of Unit		60 x 1	
	Air Flow Rate(H/M/L)	CMM		18 / 16 / 14
		cfm		636/565/494
	External Static Pressure	mmAq		-
	Capacitor	µF/Vac		220 / 450
Drive			Direct Drive	
Coil	Row x Column x FPI		2R x 8C x 19	
Dimensions (WxHxD)	Body	mm(inch)	840 x 204 x 840 (33 x 8 x 33)	
	Decorative Panel	mm(inch)	950 x 37 x 950(37 3/8 x 1 15/32 x 37 3/8)	
Weight	Body	kg(lbs)	21(46.3)	
	Decorative Panel	kg(lbs)	5(11.02)	
Air Filter			Long life filter	
Sound Level (H/M/L)		dB(A)+3	39 / 37 / 34	
Piping Connections	Liquid	mm(inch)	9.52 (3/8)	
	Gas	mm(inch)	15.88 (5/8)	
	Drain(OD/ID)	mm(inch)	32/25	
Dehumidification Rate		l/h	2.1	
Safety devices			Fuse, Thermal protector for fan motor	
Temperature Sensor			Thermistor	
Referigerant			R410A	
Referigerant Control			EEV(Outdoor Unit)	
Connectable outdoor unit			LUU246HV	
Power and transmission interunit cable	No. x AWG		4 x 18	

Note :

1. Capacities are based on the following conditions:

- Cooling: - Indoor Temperature 27°C(80.6°F) DB /19°C(66.2°F) WB
- Outdoor Temperature 35°C(95°F) DB /24°C(75.2°F) WB
- Heating: - Indoor Temperature 20°C(68°F) DB / 15°C(59°F) WB
- Outdoor Temperature 7°C(44.6°F) DB / 6°C(42.8°F) WB
- Piping Length - Interconnecting Piping Length 7.5m(24.6ft)
- Level Difference of Zero.

2. Without optional accessories(i.e. Plasma kit, elevation grille etc.) and with maximum airvolume (Cassette type is using PQRCUS0)

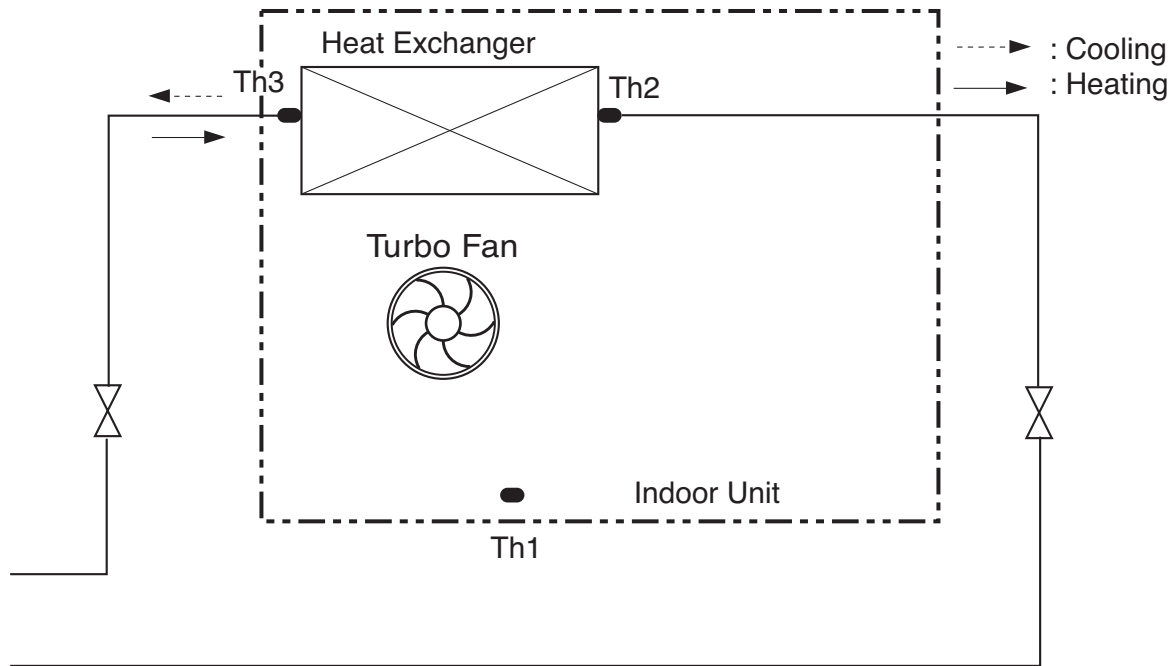
3. Wiring cable size must comply with the applicable local and national code.

Conversion Formula

$$\text{Btuh} = \text{kW} \times 3,412$$

$$\text{cfm} = \text{CMM} \times 35.3$$

2. Piping Diagrams

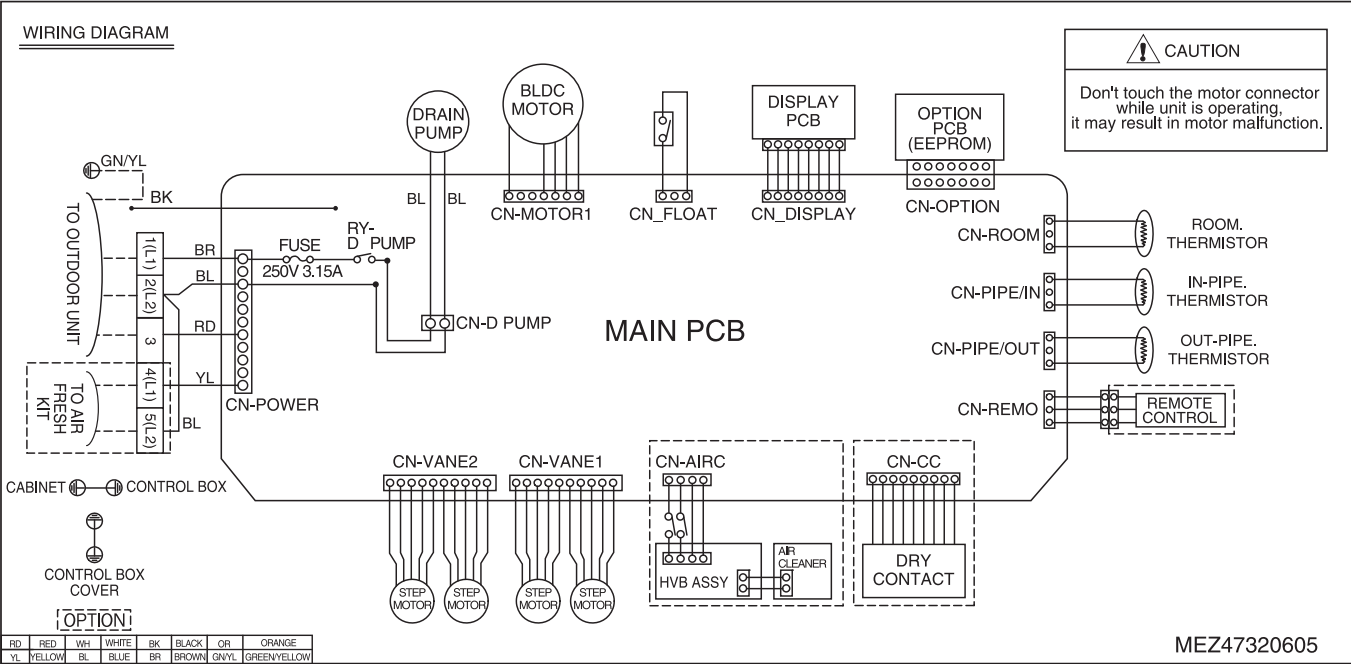


LOC.	Description	PCB Connector
Th1	Thermistor for inlet air temperature	CN_ROOM
Th2	Thermistor for EVA. in temperature	CN_PIPE/IN
Th3	Thermistor for EVA. out temperature	CN_PIPE/OUT

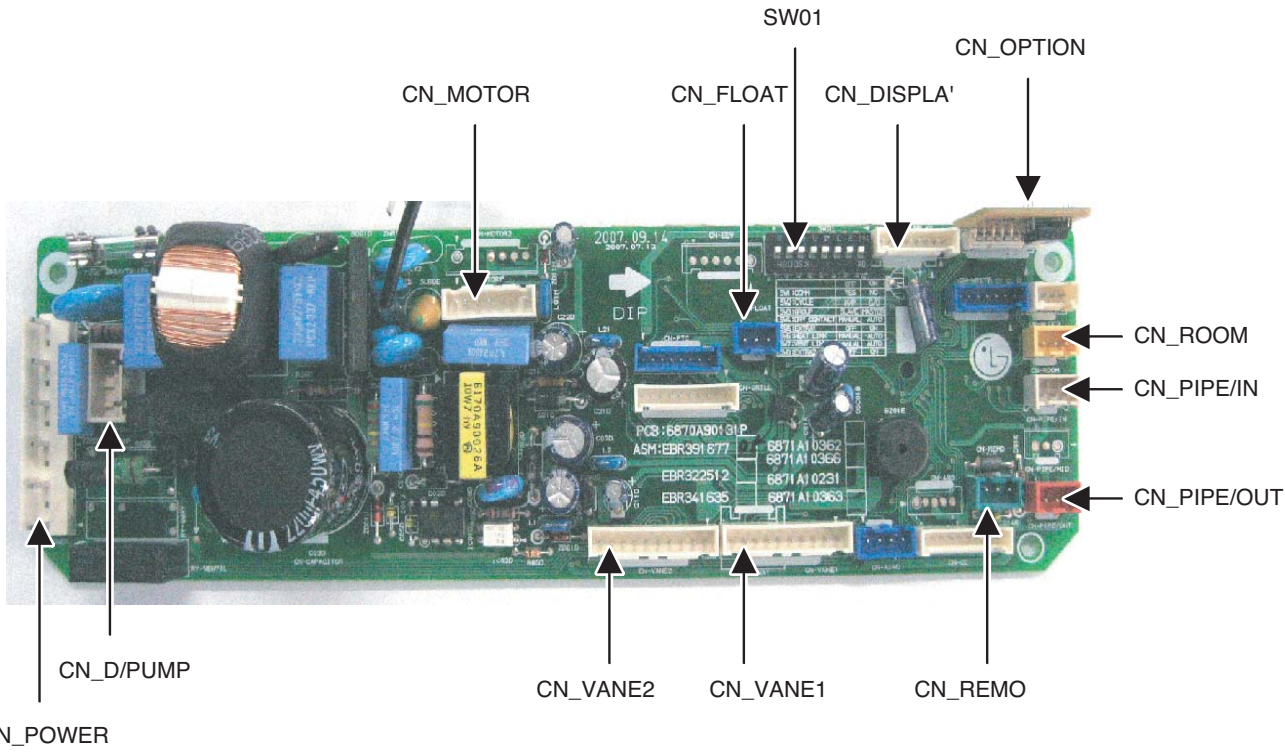
[Unit:mm(inch)]

Model	Gas	Liquid
ATNH243PLAE[LCN246HV]	15.88(5/8)	9.52(3/8)

3. Wiring Diagrams

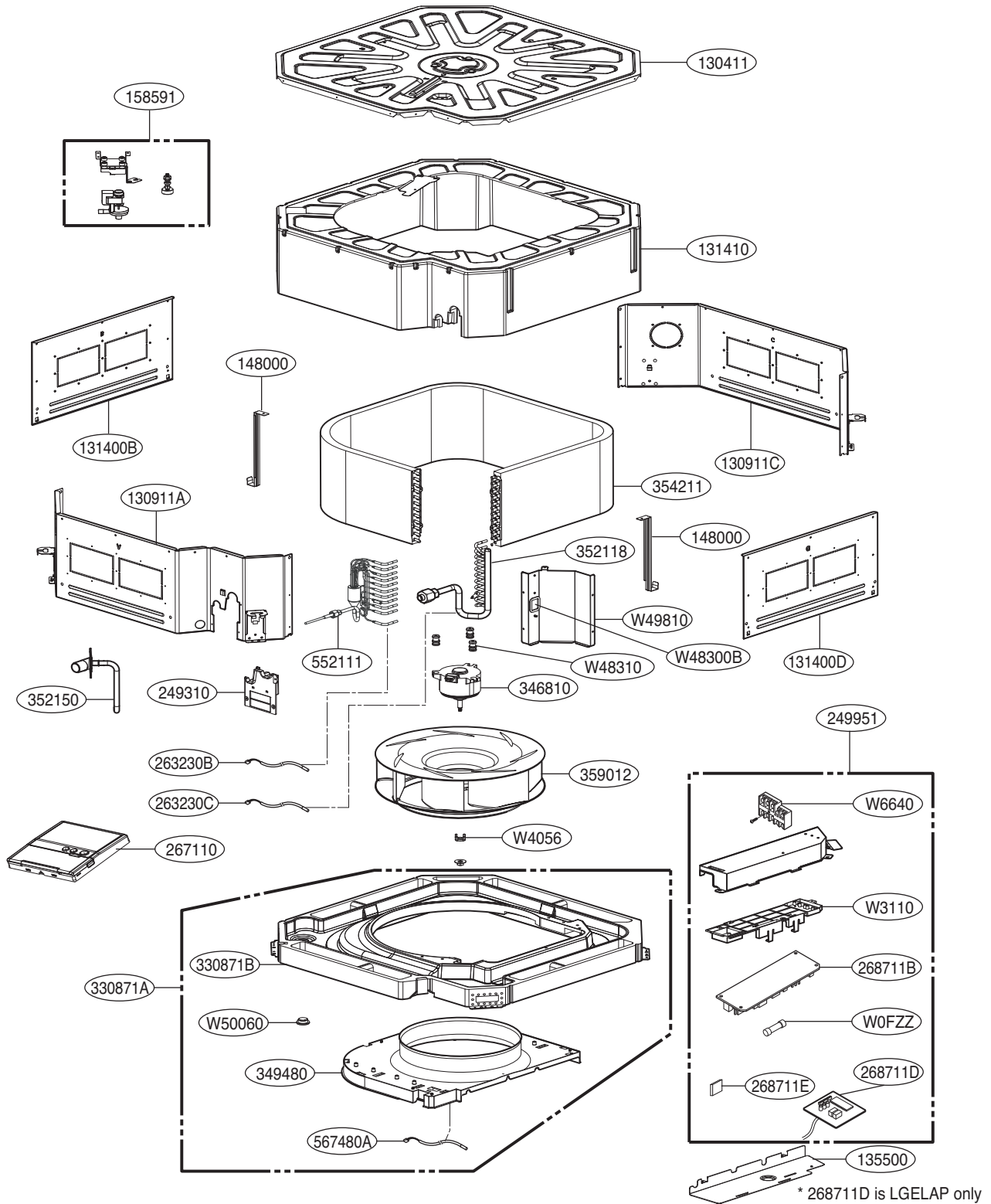


CAUTION
 Don't touch the motor connector while unit is operating, it may result in motor malfunction.



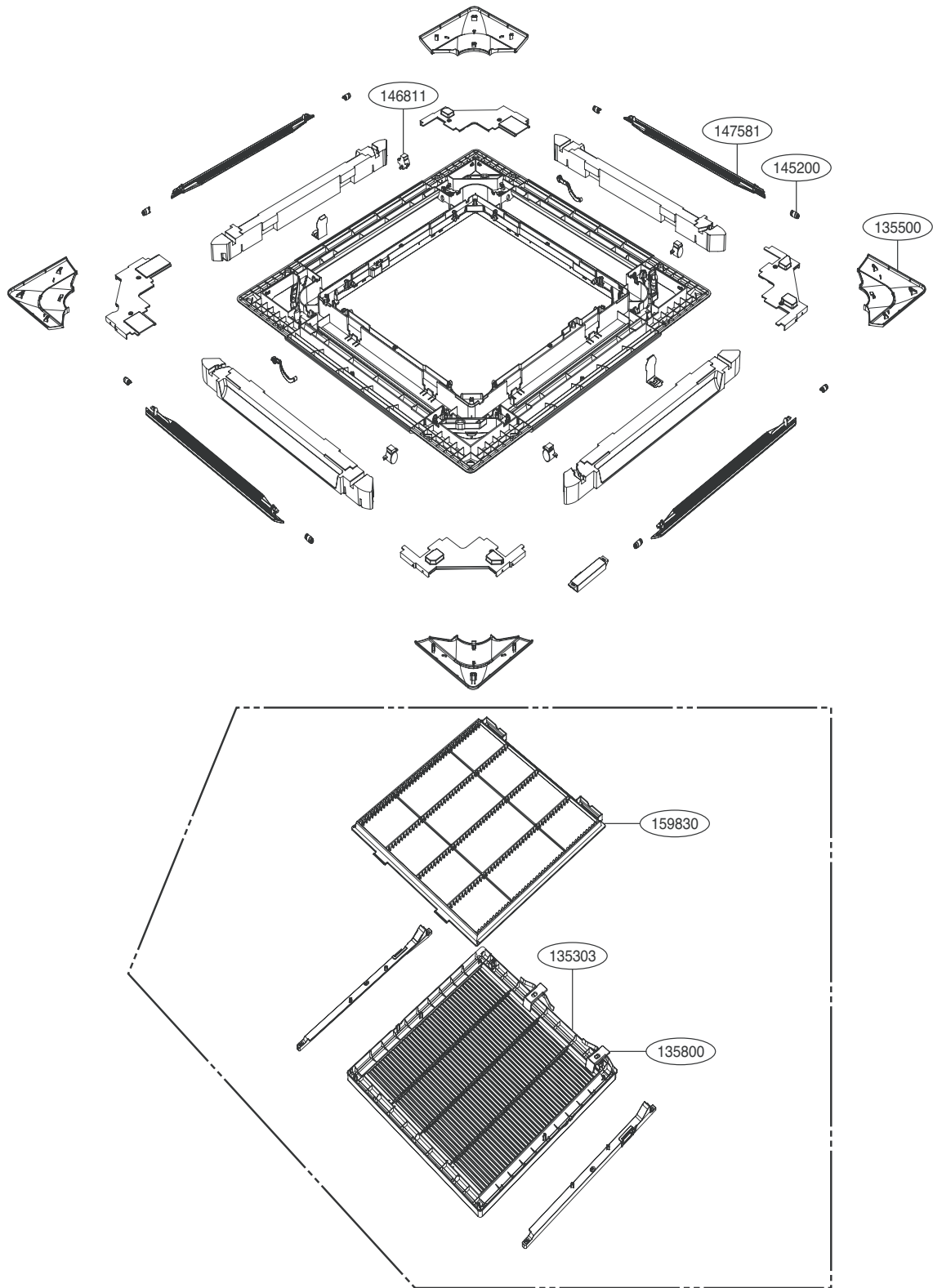
4. Exploded View

Indoor Unit



Note) * Please ensure GCSC since the replacement parts may be changed depending upon the buyer's request.
 Please check the correct parts in View RPL(Replacement Part List) on GCSC.
 (GCSC Website <http://biz.Lgservice.com>.)

Front Panel





P/NO : MFL62129309

MAY, 2010