

Job Name/Location:

Tag #:

Date:

For:  File  Resubmit

PO No.:

Approval  Other \_\_\_\_\_

Architect:

GC:

Engr:

Mech:

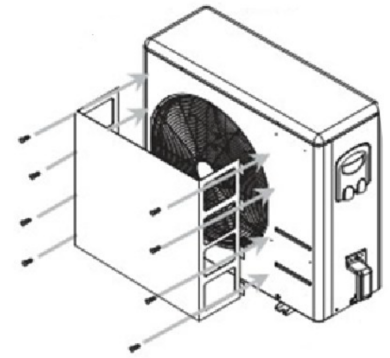
Rep:

(Company)

(Project Manager)

**ZLABGP03A**

Low Ambient Wind Baffle Kit



**Unit Data:**

Net Unit Weight (lbs)	5
Shipping Weight (lbs)	8
Dimensions (in)	21-1/4 x 21-1/4 x 7-15/16

**Fitting Properties:**

Color	Soft Dove Grey
Material	20 GA Paint Grip

**Compatible Outdoor Units:**

LAU090HYV3

LMU240HV

LAU120HYV3

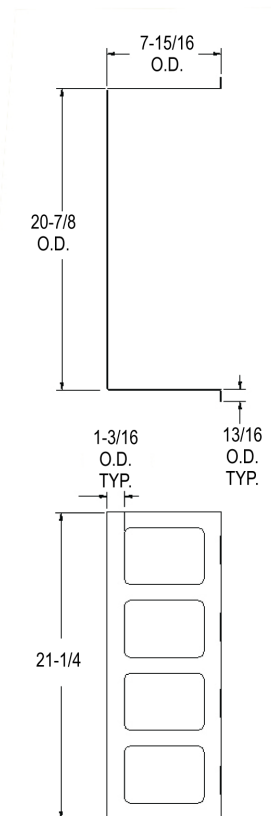
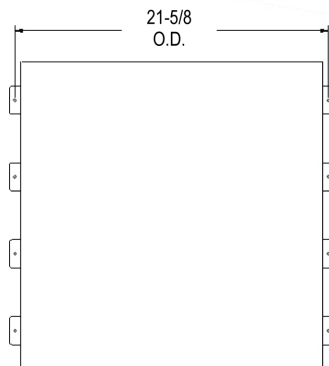
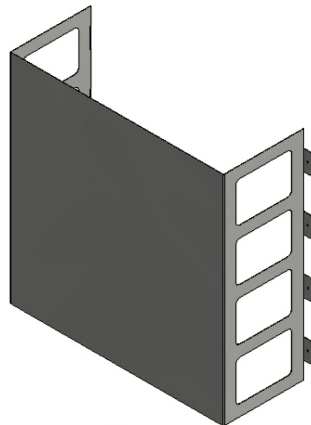
LMU18CHV

LMU180HV

LMU24CHV

**Standard Features:**

- Allows operation down to 0°F in cooling mode
- Compatible outdoor units are equipped with necessary fan speed control
- 8 zinc plated pan head phillips screws #8 x 1/2"



Unit = inch

Note: All dimensions are rounded up to the nearest fraction.