

Job Name/Location:

Tag #:

Date:

For: File Resubmit

PO No.:

Approval Other _____

Architect:

GC:

Engr:

Mech:

Rep:

(Company)

(Project Manager)

LP123IHP

Packaged Terminal Air Conditioner (PTAC)

208 - 230V Heating & Cooling



Performance:

Cooling Capacity (Rated Btu/h)	12,000
Heating Capacity (Rated Btu/h)	12,000
Electrical Heater Capacity (Rated Btu/h) 208V/230V	
15 Amp Cord	5,600/6,800
20 Amp Cord	8,300/10,200
30 Amp Cord	13,500/17,000

Cooling Nominal Test Conditions:
Indoor: 80°F DB/67°F WB
Outdoor: 95°F DB/75°F WB

Heating Nominal Test Conditions:
Indoor: 70°F DB/60°F WB
Outdoor: 47°F DB/43°F WB

Electrical:

Power Supply (V ¹ /Hz/Ø)	230/208/ 60/ 1
MOP (15/20/30) (A)	15/ 20/ 30
MCA (15/20/30) (A)	11.9/ 17.2/ 28.0
Recommended Fuse Size (A)	15/ 20/ 30
Electrical Heater Current (208 V) (A)	8.4/ 12.3/ 20.2
Electrical Heater Current (230 V) (A)	9.2/ 13.5/ 22.1
Cooling Rated Amps (A) 208V/230V	5.3/4.8
Cooling Power Input (W) 208V/230V	1000
EER (Btu/h x W)	12.0

Standard Features:

- Auto restart
- Digital control display
- Dip switch setting for temperature limiting
- Energy saver mode
- Freeze room protection
- GoldFin™ anti-corrosion treatment for condenser
- High energy efficiency
- Temperature display on unit
- Ultra-quiet operation

1: EER - Energy Efficiency Ratio 4: ODU - Outdoor Unit
 2: COP - Coefficient of Performance 5: MOP - Maximum Overcurrent Protection
 3: IDU - Indoor Unit 6: MCA - Minimum Circuit Ampacity

Required Accessories:

Choose one of these three power cord (208V-230V only):

- AYUH2315- 15A- 2.2/2.4 kW
- AYUH2120- 20A- 3.2/3.3 kW
- AYUH2330- 30A- 4.6/4.7 kW

Optional Accessories:

- See page 3

Operating Range:

Cooling (°F DB)	54-115
Heating (°F WB)	-4 - 75

Unit Data:

Refrigerant Type	R410A
Refrigerant Control	EEV
Refrigerant Charge (oz)	820
Sound Pressure ³ (Indoor H/M/S/L) ±3 dB(A)	53/49/44/39
Sound Pressure ³ (Outdoor) ±3 dB(A)	67
Net Unit Weight (lbs)	107
Shipping Weight (lbs)	120
Heat Exchanger Coating	GoldFin™
Dimensions (WxHxD) (in)	42 x 16 x 19-7/8

Fan:

IDU/ODU Type	Cross Flow Fan/ Axial Fan
Motor/Drive	Brushless Digitally Controlled/Direct
Indoor Air Flow Max (H/L) (cfm)	400/235
Outside Air Intake (manual damper) (cfm)	670
Dehumidification (pts/hr)	2.8

LP123IHP

Packaged Terminal Air Conditioner (PTAC)

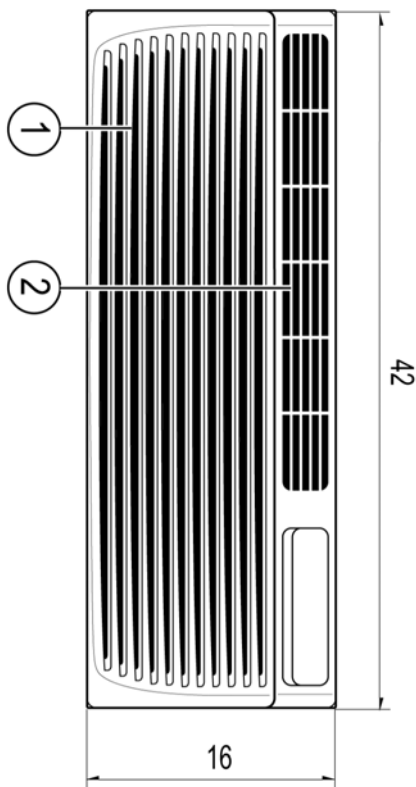
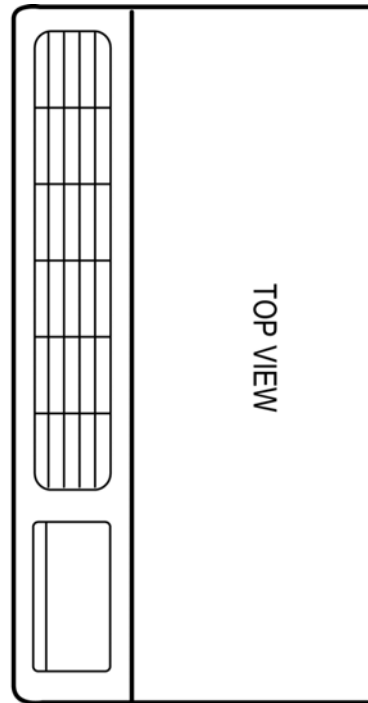
208 - 230V Heating & Cooling



Tag #:

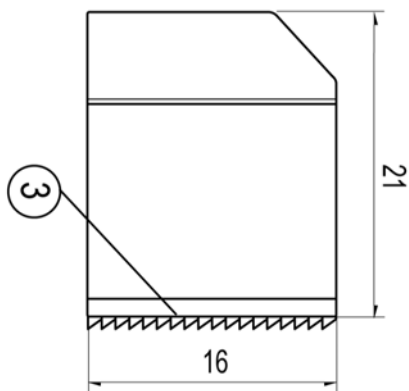
Date:

PO No.:



Unit: Inch

Item No.	Part name	Remark
1	Inlet Grille	
2	Vertical Air Deflector	
3	Architectural Grille	



Notes:

1. The unit should not be installed in a closed area.
2. In an area or space having no proper circulation, an air guide should be installed on the outdoor side.

LP123IHP

Packaged Terminal Air Conditioner (PTAC)
208 - 230V Heating & Cooling



Tag #:

Date:

PO No.:



AYWH110



PYRCUCA0B / PYRCUCC1HB

OPTIONAL ACCESSORIES:

TYPE	MODEL#	NAME
Control	<input type="checkbox"/> AYWH110	Wired Wall Thermostat Connection Kit
	<input type="checkbox"/> PYRCUCA0B	Digital Wired Wall Thermostat
	<input type="checkbox"/> PYRCUCC1HB	Digital Wireless Wall Thermostat



AYAD101



AYCP101



AYFT110



AYLD1A



AYLL101B



AYRE110



AYSB1201B/AYSB1301B
AYSB5101/AYSB6101

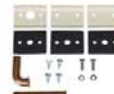
TYPE	MODEL#	NAME
Indoor	<input type="checkbox"/> AYAD101	Air Deflector
	<input type="checkbox"/> AYCP101	Control Panel Key Lock
	<input type="checkbox"/> AYFT110	Replacement Filters (10-pack)
	<input type="checkbox"/> AYLD1A	Lateral Duct Kit
	<input type="checkbox"/> AYLL101B	Leveling Legs (set of 2)
	<input type="checkbox"/> AYRE110	Remote Escutcheon Kit (10-Pack)
	<input type="checkbox"/> AYSB1201B	Sub-Base (208/230V, 15-20A, without disconnect switch)
	<input type="checkbox"/> AYSB1301B	Sub-Base (208/230V, 30A, without disconnect switch)
	<input type="checkbox"/> AYDSW1201B	Disconnect Switch - 208/230V 20A
	<input type="checkbox"/> AYDSW1301B	Disconnect Switch - 208/230V 30A
	<input type="checkbox"/> AYSB5101	Protective Sub-Base Panel
<input type="checkbox"/> AYSB6101	Non-electrical Sub-Base	



AYAGALA01A/AYAGALB01A/AYAGALC01A



AYAGPLB01/AYAGPLC01/AYAGPLD01



AYDR101B



AYFDSV01A



AYRGALA01



AYSVB01A

TYPE	MODEL#	NAME
Outdoor	<input type="checkbox"/> AYAGALA01A	Aluminum Grille - Clear
	<input type="checkbox"/> AYAGALB01A	Aluminum Grille - Bronze
	<input type="checkbox"/> AYAGALC01A	Aluminum Grille - Soft Dove
	<input type="checkbox"/> AYAGPLB01	Polymer Grille - Dark Bronze
	<input type="checkbox"/> AYAGPLC01	Polymer Grille - Soft Dove
	<input type="checkbox"/> AYAGPLD01	Polymer Grille - White
	<input type="checkbox"/> AYDR101B	Condensate Drain Kit
	<input type="checkbox"/> AYFDSV01A	Four-piece Insulated Snap Together Wall Sleeve
	<input type="checkbox"/> AYRGALA01	Aluminum Grille - Stamped
	<input type="checkbox"/> AYSVB01A	Wall Sleeve - Single
	<input type="checkbox"/> AYSV018B	Wall Sleeve - Snap On (18")
	<input type="checkbox"/> AYSV024B	Wall Sleeve - Snap On (24")
	<input type="checkbox"/> AYSVKITB	Wall Sleeve Extension Kit (2")

REQUIRED ACCESSORY FOR 208-230V PTAC (choose one power cord):

TYPE	MODEL#	NAME
Power Cord	<input type="checkbox"/> AYUH2115	Power Cord with plug 15A (with universal heater)
	<input type="checkbox"/> AYUH2120	Power Cord with plug 20A (with universal heater)
	<input type="checkbox"/> AYUH2130	Power Cord with plug 30A (with universal heater)



AYUH2115



AYUH2120



AYUH2130