

Job Name/Location:

Tag No:

Date:

For:	File	Resubmit
	Approval	Other

PO No.:

Architect: GC:

Engr: Mech:

Rep: (Company) (Project Manager)



# LMU18CHV

## Multi F Inverter Heat Pump Outdoor Unit

**Performance:**

Cooling Capacity (Min.-Rated-Max., Btu/h)	8,400-17,000-19,000
Heating Capacity (Min.-Rated-Max., Btu/h)	10,248-22,000-24,000
Max. Heating Capacity at 5°F (Btu/h)	14,807
Max. Heating Capacity at 0°F (Btu/h)	12,217
Max. Heating Capacity at -4°F (Btu/h)	9,912
Cooling COP @95°F (Rated)	3.80
Heating COP @47°F (Rated)	3.16

Cooling Nominal Test Conditions: Indoor: 80°F DB / 67°F WB Outdoor: 95°F DB / 75°F WB  
 Heating Nominal Test Conditions: Indoor: 70°F DB / 60°F WB Outdoor: 47°F DB / 43°F WB

**Operating Range:**

Cooling (°F DB) <sup>3</sup>	14 to 118
Heating (°F WB)	-4 to +64

**Unit Data:**

Refrigerant Type	R410A
Refrigerant Control	EEV
Sound Pressure (Cool / Heat) ±1 dB(A) <sup>5</sup>	49 / 52
Net / Shipping Weight (lbs.)	100 / 108
Heat Exchanger Coating	Gold Fin™
Minimum No. of Indoor Units	2
Maximum No. of Indoor Units	2

**Electrical:**

Power Supply (V/Hz/Ø) <sup>1</sup>	208-230V, 60, 1
MOP (A)	20
MCA (A)	13.3
Recommended Fuse Size (A)	20
Cooling Rated Amps (A)	11.09
Heating Rated Amps (A)	11.09
Compressor (A)	8.9
Fan Motor (A)	0.59
Locked Rotor Amps (A)	N/A

MOP - Maximum Overcurrent Protection MCA - Minimum Circuit Ampacity

**Compressor:**

Type	Twin Rotary
Quantity	1
Oil / Type	FVC68D

**Fan:**

Type	Propeller
Quantity	1
Motor / Drive	Brushless Digitally Controlled/Direct
Max. Airflow Rate (CFM)	1,766

**Piping:**

Refrigerant Charge (lbs.)	3.97
Liquid Line Connection (in., O.D.)	1/4 x 2
Vapor Line Connection (in., O.D.)	3/8 x 2
Maximum Total Piping <sup>2</sup> (ft.)	164
Min. / Max. ODU to IDU Piping (ft.)	10.0 / 82.0
Piping Length (no add'l refrigerant, ft.)	49.2
Maximum Elevation between ODU and IDU (ft.)	49.2
Maximum Elevation between IDU and IDU (ft.)	24.6

ODU = Outdoor Unit IDU = Indoor Unit

**Features:**

- Auto operation
- Auto restart
- Inverter (variable speed compressor)
- Defrost / Deicing
- Restart delay (three [3] minutes)
- Self diagnosis
- Soft start
- Low ambient cooling down to 14°F

**Optional Accessories:**

- PI-485 - PMNFP14A1
- AC Smart 5 - PACS5A000
- ACP 5 - PACP5A000
- Power Distribution Indicator (PDI) Premium - PQNUD1541
- Mobile LGMV - PLGMVW100
- Drain Pan Heater - PQSH1200
- Low Ambient Kit (Cooling operation to -40°F) - PAG-HS0/PAG-HS1/PQCA0 -Without PQCA0 (Baffles only) Cooling operation down to -4°F

**Notes:**

1. Acceptable operating voltage: 187V - 253V.
2. Piping lengths are equivalent.
3. Sound pressure levels are tested in an anechoic chamber under ISO Standard 3745.
4. All power / communication cable to be minimum 14 AWG, 4-conductor, stranded, shielded or unshielded wire, and must comply with applicable local and national codes. If shielded, the wire must be grounded to the chassis at the outdoor unit only.
5. Power wiring size must comply with the applicable local and national codes.
6. This data is rated 0 ft. above sea level, with 25 ft. of refrigerant line, and 0 ft. level difference between outdoor and indoor units. All capacities are net with a combination ratio between 95 - 105%.
7. Must follow installation instructions in the applicable LG installation manual.
8. Refer to the Combination Data Manual for combination capacity tables.
9. See the Performance Data Manual for sensible and latent capacities.



Job Name/Location: \_\_\_\_\_

# LMU18CHV

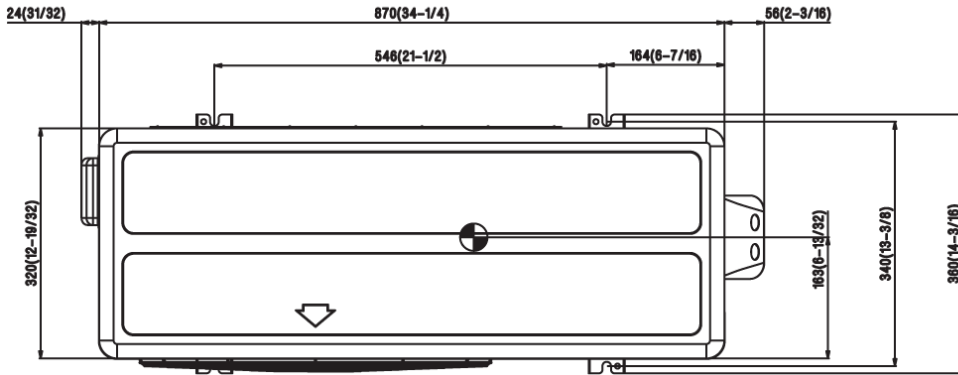
Multi F Inverter Heat Pump Outdoor Unit



Tag No.: \_\_\_\_\_

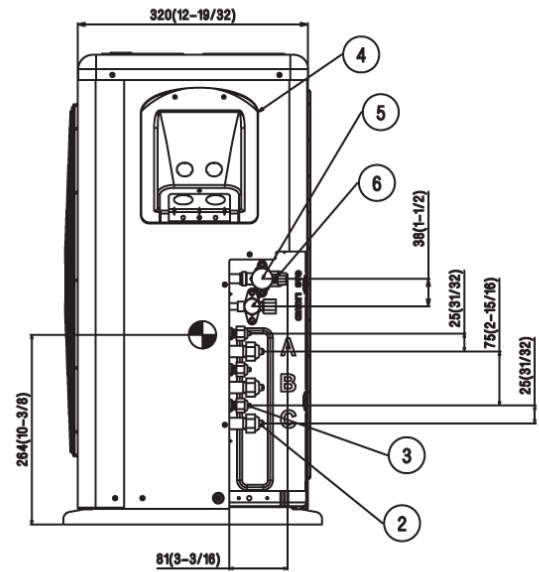
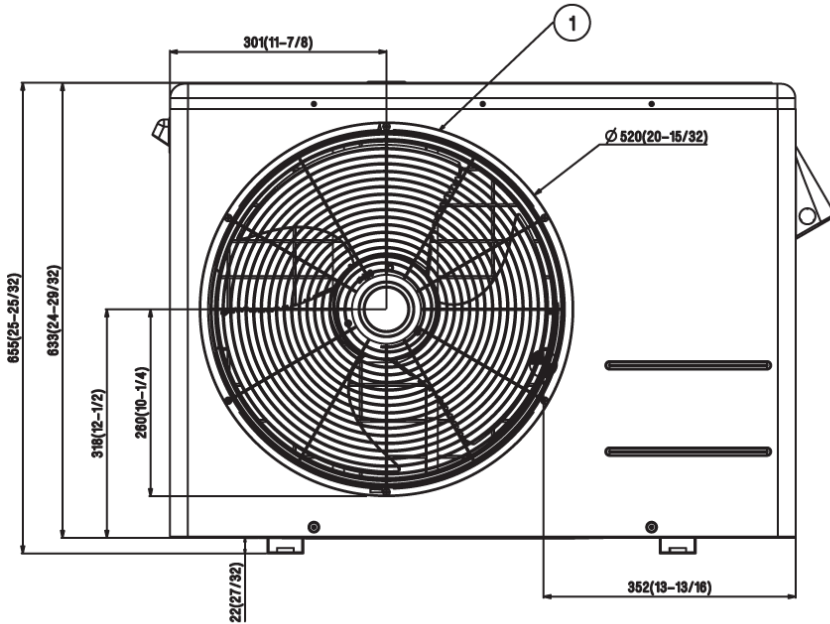
Date: \_\_\_\_\_

PO No.: \_\_\_\_\_



[Unit : mm(inch)]

☉ Gravity point



**Notes:**

No.	Part Name
1	Air discharge grille
2	Vapor pipe connection
3	Liquid pipe connection
4	Power & transmission connection
5	Main service valve (Vapor)
6	Main service valve (Liquid)

- Unit must be installed in compliance with the installation manual.
- Unit must be grounded in accordance with the local or state regulations and applicable national codes.
- All field-supplied electrical components and materials must comply with the local, state, and national codes.
- Electrical characteristics must be considered for electrical work and design. The capacity of power cable and circuit breaker for the outdoor unit must follow local, state, national, and manufacturer requirements.
- For LMU18CHV Unit, ports A and B are available.
- For LMU24CHV Unit, ports A, B, and C are available.