

Job Name/Location:

Tag #:

Date: _____

For: File Appro Resubmit

PO No.: _____

val Other _____

Architect: _____

GC: _____

Engr: _____

Mech: _____

Rep: _____

(Company)

(Project Manager)

ACHH020HBAB
Inverter Scroll Chiller 460V
20.0 Ton



Performance :

Cooling Mode :

| | |
|------------------------|-------|
| Cooling Capacity (MBH) | 221.8 |
| Power input (kW) | 21.5 |

Heating Mode :

| | |
|------------------------|-------|
| Heating Capacity (MBH) | 238.8 |
| Power input (kW) | 22.6 |

Cooling Capacity Conditions : 95°F Ambient Air, 55°F EWT and 45°F LWT
 Heating Capacity Conditions : 47°F EWT and 120°F LWT

Electrical :

| | |
|---------------------------|--------------|
| Power Supply (V / Hz / Ø) | 460 / 60 / 3 |
| MOP (A) | 60 |
| MCA (A) | 48 |

Evaporator :

| | |
|--|------------|
| Quantity | 1 |
| Pressure Drop (ftAq) | 3.1 |
| Operating Maximum Pressure (Refrigerant / Water) (psi) | 597 / 142 |
| Cooling Water Flow (10F Delta) (GPM) | 44.4 |
| Inlet / Outlet Water Connection (Inches / Flange) | 2" / 150lb |

Standard Features

- Condenser Coil Coating Rated at 10,000 Hrs (Tested per ASTM B-117)
- Variable Speed Condenser Fan Motors
- Variable Speed Compressors
- SCCR Standard on 460V – 3PH (Approved per CSA (C-US/162279))
- Rated Sound Pressure at 30' is 51-60dB(A)
- 100% Heating Capacity down to 32°F
- 120F LWT at 17°F = 80% of Full Capacity

Operating Range :

| | |
|--------------------------|----------|
| Cooling (°F DB) | 5 – 125 |
| Supply Water Temperature | 14 – 68 |
| Heating (°F WB) | -22 – 95 |
| Supply Water Temperature | 86 - 131 |

Unit Data :

| | |
|----------------------------------|------------------------------|
| Refrigerant Type | R410a |
| Cooling Sound Power dB(A) | 78 |
| Heating Sound Power dB(A) | 83 |
| Net Unit Weight (lbs) | 1,162 |
| Unit Dimension (W x H x D) (ins) | 30-1/8" x 86-5/8" x 84-13/16 |
| Heat Exchanger Coating | Black Coated Fin |

Sound Data tested per ANSI/AHRI Standard 370-2015 (Based on individual systems)

Compressor :

| | |
|---------------------------------------|-----------------|
| Compressor Type | Inverter Scroll |
| No. of Compressors | 2 |
| Oil Type | PVE |
| Oil Charge of Each Compressor (oz/ea) | 33.8 |

Fan :

| | |
|---------------------|---|
| Type | Propeller |
| Quantity | 2 |
| Motor / Drive | Brushless Digitally Controlled / Direct |
| Air Flow Rate (CFM) | 8,684 |

Notes :

1. For AHRI Ratings, refer to AHRI website <http://www.ahridirectory.org>
2. Power wiring able size must comply with the applicable local and national code
3. The voltage tolerance is +/- 10%



Job Name/Location:

Tag #:

Date: _____

For: File Appro Resubmit

PO No.: _____

val Other _____

Architect: _____

GC: _____

Engr: _____

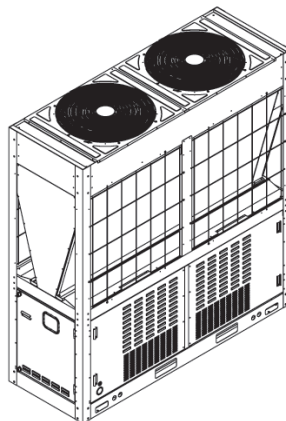
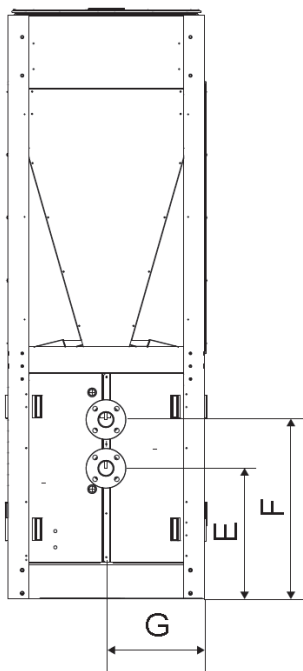
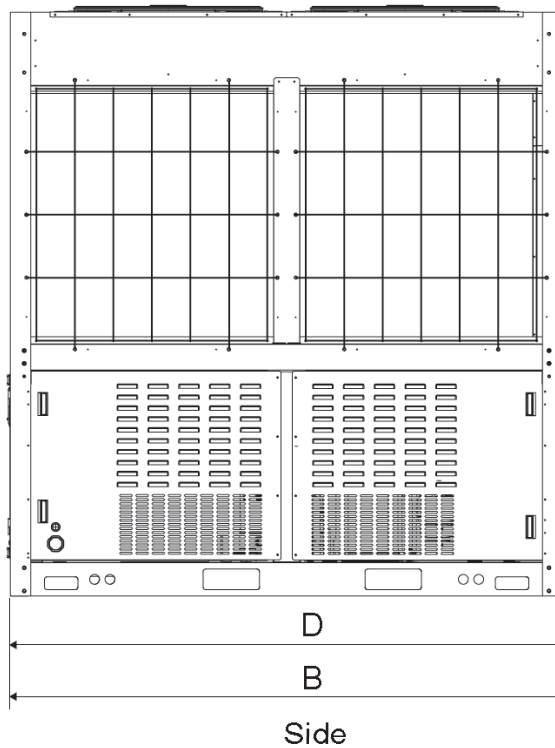
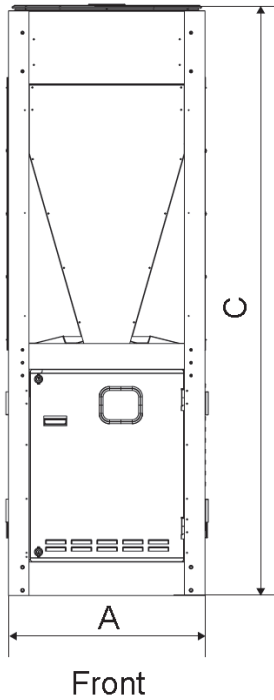
Mech: _____

Rep: _____

(Company)

(Project Manager)

ACHH020HBAB
 Inverter Scroll Chiller 460V
 20.0 Ton



(Unit: Inch)

| Label | Dimensions |
|-------|------------|
| A | 30-1/8 |
| B | 86-17/32 |
| C | 86-5/8 |
| D | 84-13/16 |
| E | 19-31/32 |
| F | 27-9/16 |
| G | 15-1/8 |