

Job Name/Location:

Tag #:

Date: _____

For: File Appro Resubmit

PO No.: _____

val Other _____

Architect: _____

GC: _____

Engr: _____

Mech: _____

Rep: _____

(Company)

(Project Manager)

ACHH017HBAB
Inverter Scroll Chiller 460V
17.0 Ton



Performance :

Cooling Mode :

Cooling Capacity (MBH)	194.5
Power input (kW)	18.1

Heating Mode :

Heating Capacity (MBH)	204.7
Power input (kW)	19.0

Cooling Capacity Conditions : 95°F Ambient Air, 55°F EWT and 45°F LWT
 Heating Capacity Conditions : 47°F EWT and 120°F LWT

Electrical :

Power Supply (V / Hz / Ø)	460 / 60 / 3
MOP (A)	60
MCA (A)	46.8

Evaporator :

Quantity	1
Pressure Drop (ftAq)	2.7
Operating Maximum Pressure (Refrigerant / Water) (psi)	597 / 142
Cooling Water Flow (10F Delta) (GPM)	38.0
Inlet / Outlet Water Connection (Inches / Flange)	2" / 150lb

Standard Features

- Condenser Coil Coating Rated at 10,000 Hrs (Tested per ASTM B-117)
- Variable Speed Condenser Fan Motors
- Variable Speed Compressors
- SCCR Standard on 460V – 3PH (Approved per CSA (C-US/162279))
- Rated Sound Pressure at 30' is 51-60dB(A)
- 100% Heating Capacity down to 32°F
- 120F LWT at 17°F = 80% of Full Capacity

Operating Range :

Cooling (°F DB)	5 – 125
Supply Water Temperature	14 – 68
Heating (°F WB)	-22 – 95
Supply Water Temperature	86 - 131

Unit Data :

Refrigerant Type	R410a
Cooling Sound Power dB(A)	78
Heating Sound Power dB(A)	83
Net Unit Weight (lbs)	1,162
Unit Dimension (W x H x D) (ins)	30-1/8" x 86-5/8" x 84-13/16
Heat Exchanger Coating	Black Coated Fin

Sound Data tested per ANSI/AHRI Standard 370-2015 (Based on individual systems)

Compressor :

Compressor Type	Inverter Scroll
No. of Compressors	2
Oil Type	PVE
Oil Charge of Each Compressor (oz/ea)	33.8

Fan :

Type	Propeller
Quantity	2
Motor / Drive	Brushless Digitally Controlled / Direct
Air Flow Rate (CFM)	8,684

Notes :

1. For AHRI Ratings, refer to AHRI website <http://www.ahridirectory.org>
2. Power wiring able size must comply with the applicable local and national code
3. The voltage tolerance is +/- 10%



Job Name/Location:

Tag #:

Date:

For: File Appro Resubmit

PO No.:

val Other

Architect:

GC:

Engr:

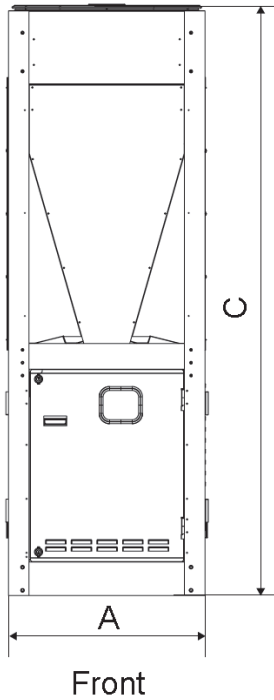
Mech:

Rep:

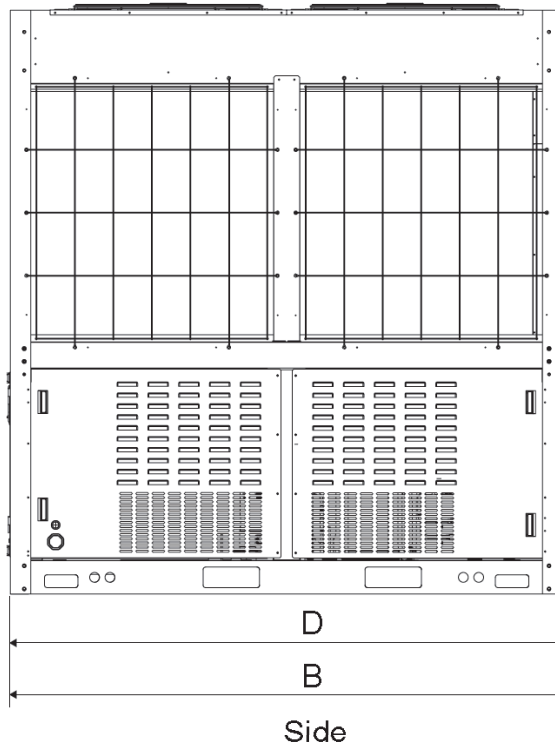
(Company)

(Project Manager)

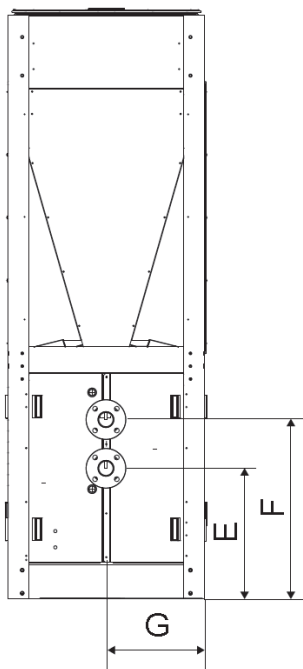
ACHH017HBAB
Inverter Scroll Chiller 460V
17.0 Ton



Front



Side



(Unit: Inch)

Label	Dimensions
A	30-1/8
B	86-17/32
C	86-5/8
D	84-13/16
E	19-31/32
F	27-9/16
G	15-1/8

