

Submittal Data: AYLD1A Lateral Duct

Job Name	Location	Date
Purchaser	Engineer	
Submitted To	For <input type="checkbox"/> Reference <input type="checkbox"/> Approval <input type="checkbox"/> Construction	
Schedule No.		

GENERAL FEATURES

- One unit to heat or cool two separate rooms.
- Easily mounts to front of standard wall sleeve.
- Lined with acoustical & thermal insulation.
- 46-inch extension duct.
- Adjustable room duct register.
- Extension Duct may be directed to left or right side of the unit.



Specifications

Material: Steel
 Material Thickness*: 0.0433 to 0.0480-in
 Insulation: Dual-density Fiber Glass
 Insulation Thickness: 0.25-in
 Color: Soft Dove
 Finish: Lightly Textured

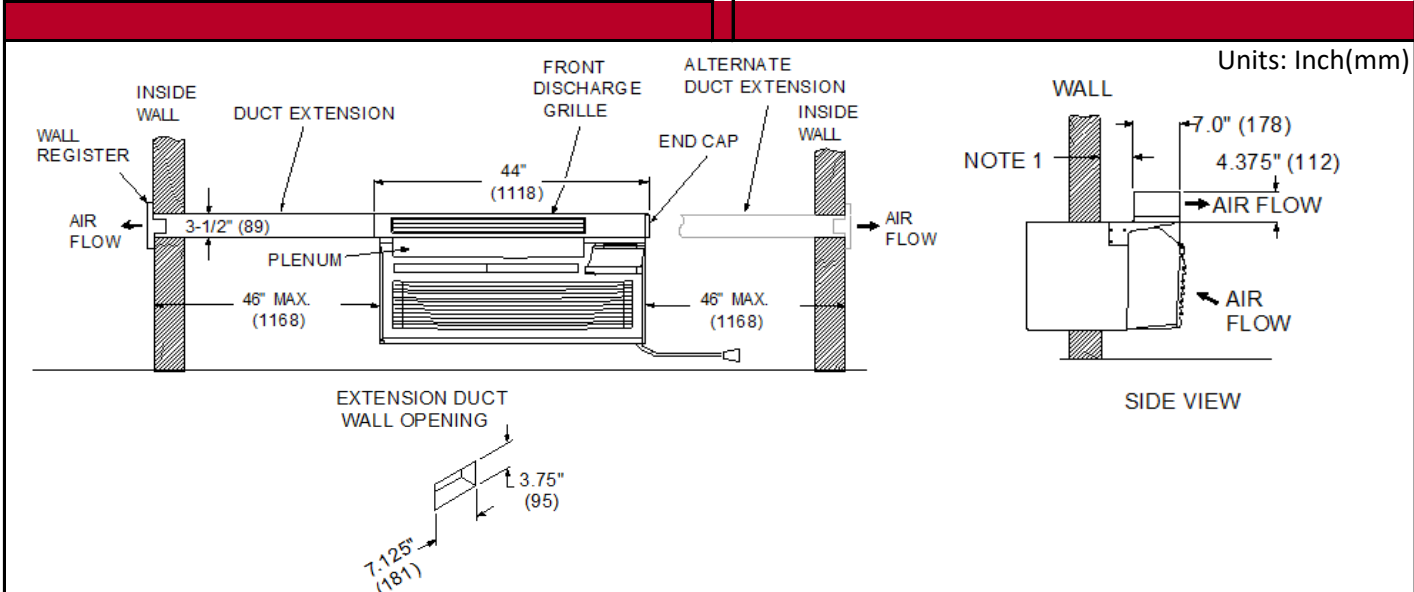
* including paint.

Dimensions

	Plenum w/out Transition	Extension Duct
Length	44.0-in	46-in
Height	3.5-in	3.5-in
Depth	7.0-in	7.0-in
Weight	11-lbs	12-lbs

Shipping Dimensions

Length	47.5-in
Height	8.0-in
Depth	11.5-in
Weight	30.0-lbs
Pallet Qty	15 pcs



- NOTES:**
- 1) For all lateral duct applications, the wall sleeve must extend 3 inches into the room for proper mounting of support brackets.
 - 2) Maximum duct extension length is 46 inches.
 - 3) Extension duct run must be straight and horizontal; no bends or turns.
 - 4) Minimum recommended clearance between unit and adjoining room wall is 6 inches.

Specifications are subject to change without notice. Manufacturer reserves the right to discontinue or modify specifications or designs without notice or without incurring obligations. All rights reserved.