

Job Name : _____
 Purchaser : _____
 Engineer : _____
 Submitted To : _____
 Submitted By : _____
 Unit Designation : Schedule No.: _____

Location : _____
 P.O. No. : _____
 Architect : _____
 Date : _____
 For : Reference Approval Construction
 Model No.: _____



Submittal Data : LS181HSV

Air Conditioner Single Zone Mini Split

System Model

Indoor Model # LSN181HSV
 Outdoor Model # LSU181HSV

Performance :

Capacity (Cooling)	18,200
(Heating)	22,000
EER	12.6
SEER	18.2
HSPF	9.7
Air Circulation (CFM H/M/L)	600/510/420
Fan Speeds	7/Auto/Chaos
Dehumidification (pts/hr)	5.5
Sound Data - Indoor (± 3 dB(A))	45/40/35
Sound Data - Outdoor (± 3 dB(A))	53
Cooling Indoor Air Temp Min/Max (°F DB)	64/90
Heating Indoor Air Temp Min/Max (°F DB)	61/86

Electrical :

Rated Voltage Outdoor (V, Hz, Ph)	230/208, 60, 1
Rated Voltage Indoor (V, Hz, Ph)	230/208, 60, 1
Minimum Circuit Ampacity	16.4
Maximum Overcurrent Protection	25
Cooling Running Current (Rated) (A)	17.8
Heating Running Current (Rated) (A)	17.8
Compressor Running Current (Rated) (A)	12.5
Fan Motor Running Current (Rated) (A)	0.25

Dimensions :

Indoor Dimension (WxHxD, inches)	40 9/16 x 12 13/16 x 9 7/8
Indoor Weight (lbs)	37.5
Outdoor Dimension (WxHxD, inches)	34 5/16 x 31 1/2 x 12 5/8
Outdoor Weight (lbs)	132.3

Refrigerant Piping :

Refrigerant Type	R410a
Refrigerant Charge (25ft)(lbs)	3.97
Liquid Side (inches, O.D)	3/8
Suction Side (inches, O.D)	5/8
Additional Refrigerant (oz./ft.)	0.38
Maximum Pipe Length (ft)	98
Piping length (no add'l refrigerant, ft.)	25
Maximum Elevation (ft)	49

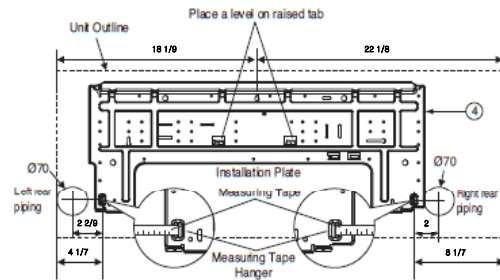
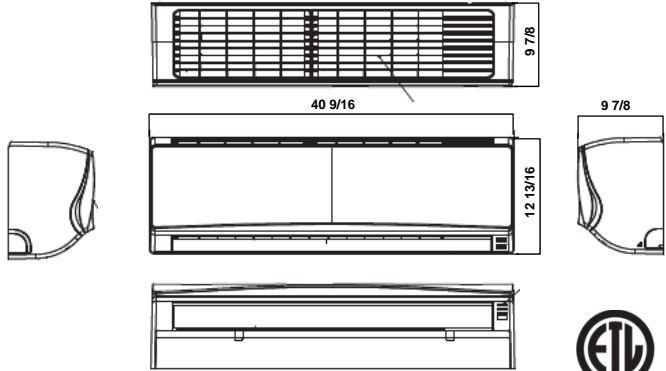
Standard Features :

- Limited Five Year Compressor Warranty
- Limited Two Year Functional Parts Warranty
- Inverter (Variable Speed Compressor)
- Plasma Air Purifying System
- Chaos Swing Air Circulation
- Jet Cool™
- Auto Restart
- Gold Fin™ Anti-Corrosion
- Built-in Low Ambient Standard down to 14°F (cooling mode)

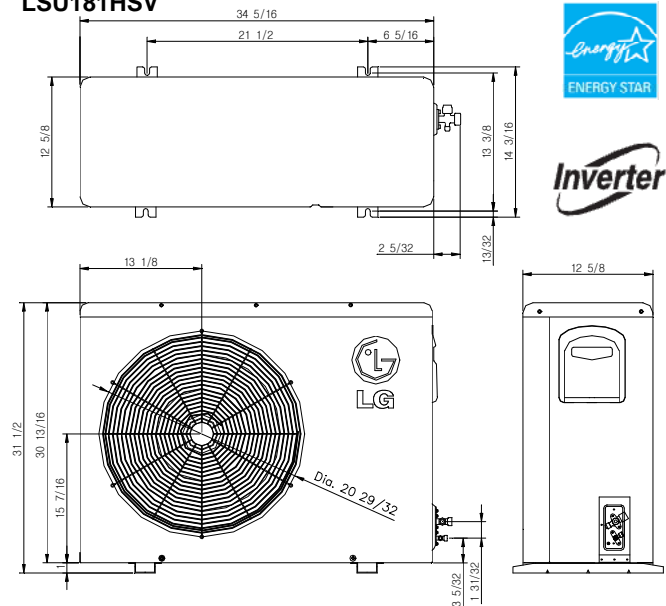
Note :

LG Electronics USA, Inc. HVAC Division
 1000 Sylvan Avenue, Englewood Cliffs, NJ 07632 / www.lg.com www.lghvac.com

LSN181HSV



LSU181HSV



Operating Range (Outdoor) :

Cooling (°F)	14-118
Heating (°F)	5-75

Accessory Option :

- Wired Wall Thermostat – PQRCVSL0(QW)

© LG Electronics USA, Inc 2010 DFS-SB-AA-024-US 013A07
 Specifications and information in this submittal data are subject to change without notice.