

Job Name/Location:

Tag #:

Date:

For: File Resubmit

PO No.:

Approval Other _____

Architect:

GC:

Engr:

Mech:

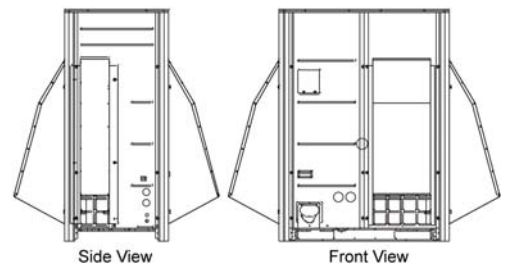
Rep:

(Company)

(Project Manager)

ZHGDKA52A

Hail Guard Kit for Multi V 5 8-20 Ton Outdoor Unit



Compatible Outdoor Units:

ARUM096BTE5/ARUM096DTE5	ARUM168BTE5/ARUM168DTE
ARUM121BTE5/ARUM121DTE5	ARUM192BTE5/ARUM192DTE
ARUM144BTE5/ARUM144DTE5	ARUM216BTE5/ARUM216DTE
	ARUM241BTE5/ARUM241DTE

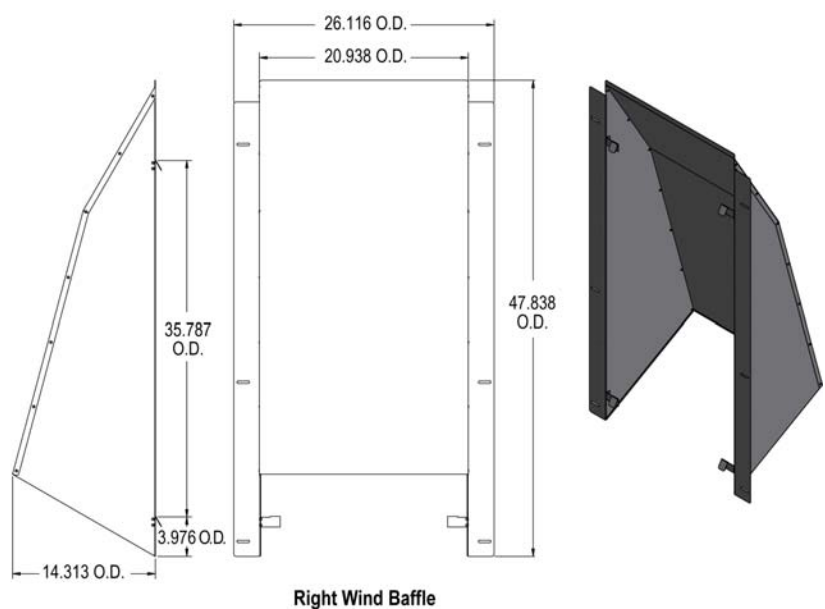
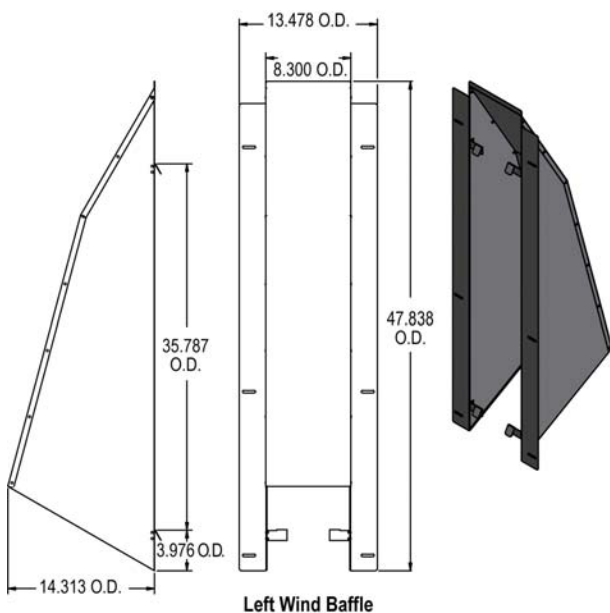
Fitting Properties:

Color	Dark Gray
Material	20 GA Sheet Metal

Each kit comes with:

- Front wind baffle
- Right wind baffle
- Left wind baffle
- Rear wind baffle
- (50) #10 x 1/2" self drilling hex head screws

Outdoor Unit	Required Accessory Quantities
	ZHGDKA52A
ARUM096BTE5 / ARUM096DTE5	1
ARUM121BTE5 / ARUM121DTE5	1
ARUM144BTE5 / ARUM144DTE5	1
ARUM168BTE5 / ARUM168DTE5	1
ARUM192BTE5 / ARUM192DTE5	1
ARUM216BTE5 / ARUM216DTE5	1
ARUM241BTE5 / ARUM241DTE5	1
ARUM264BTE5 / ARUM264DTE5	2
ARUM288BTE5 / ARUM288DTE5	2
ARUM312BTE5 / ARUM312DTE5	2
ARUM336BTE5 / ARUM336DTE5	2
ARUM360BTE5 / ARUM360DTE5	2
ARUM384BTE5 / ARUM384DTE5	2
ARUM408BTE5 / ARUM408DTE5	2
ARUM432BTE5 / ARUM432DTE5	3
ARUM456BTE5 / ARUM456DTE5	3
ARUM480BTE5 / ARUM480DTE5	3
ARUM504BTE5 / ARUM504DTE5	3



Job Name/Location:

ZHGDKA52A

Hail Guard Kit for Multi V 5 8-20 Ton Outdoor Unit



Tag #:

Date:

PO No.:

