

Date:	For: File	Resubmit
PO No.:	Approval	Other
Architect:	GC:	
Engr:	Mech:	
Rep:		
(Company)	(Project Manager)	



ARUN060GSS4
Multi V™ S Heat Pump
5.0 Ton Outdoor Unit

Performance:

Cooling Mode:

Rated Capacity (Btu/h)	60,000
Power Input ¹ (kW)	6

Heating Mode:

Rated Capacity (Btu/h)	64,000
Power Input ¹ (kW)	5.3

Rated Capacity is based on the following conditions:

Cooling	Heating:
Indoor: 80°F DB / 67°F WB	Indoor: 70°F DB
Outdoor: 95°F DB	Outdoor: 47°F DB / 43°F WB

Electrical:

Power Supply (V/Hz/Ø)	208-230V / 60 / 1
MOP (A)	40
MCA (A)	25.4
Rated Amps (A)	
Compressor (A)	19.5
Fan (A) x Qty.	0.5 x 2

Piping:

Refrigerant Charge (lbs)	7.7
Liquid Line (in, OD)	Ø3/8 Braze
Vapor Line (in, OD)	Ø3/4 Braze

Standard Features:

- Night Quiet Operation
- Fault Detection and Diagnosis

Optional Accessories:

- Low Ambient Baffle Kit - ZLABGP04A (2 required)
- Drain Pan Heater - PQSH1200

***Installation of an optional Low Ambient Wind Baffle Kit will allow operation down to -9.9°F in cooling mode.**

Operating Range:

Cooling (°F DB)*	23 - 122
Heating (°F WB)	-13 to +61

Unit Data:

Refrigerant Type	R410A
Refrigerant Control	EEV
Max Number of Indoor Units ²	12
Sound Pressure ³ dB(A)	57
Net Unit Weight (lbs)	260
Shipping Weight (lbs)	291
Communication Cable ⁴ (No x AWG)	2 x 18
Heat Exchanger Coating	GoldFin™

Compressor:

Type	Hermetically Sealed Scroll
Quantity	1
Oil / Type	PVE/FVC68D

Fan:

Type	Axial Flow Fan
Quantity	2
Motor / Drive	Brushless Digitally Controlled/Direct
Air Flow Rate (CFM)	3,885

Notes:

1. For AHRI rating, refer to the AHRI website <http://www.ahridirectory.org>.
2. The combination ratio must be between 50 – 130%.
3. Sound Pressure levels are tested in an anechoic chamber under ISO Standard 3745.
4. Communication cable between ODU, IDU(s), and Central Controller must be a minimum of 2-conductor, 18 AWG, twisted, stranded, and shielded. Ensure the communication cable shield is properly grounded to the ODU chassis only. Do not ground the communication cable at any other point. Wiring must comply with all applicable local and national codes.
5. Nominal data is rated 0 ft above sea level, with 25 ft of refrigerant line per indoor unit and a 0 ft level difference between outdoor and indoor units. All capacities are net with a combination ratio between 95-105%.
6. Power wiring cable size must comply with the applicable local and national codes.
7. The voltage tolerance is ± 10%.



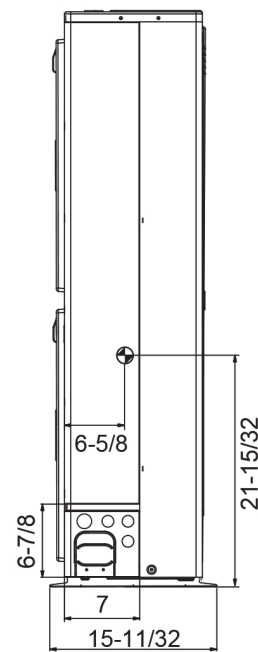
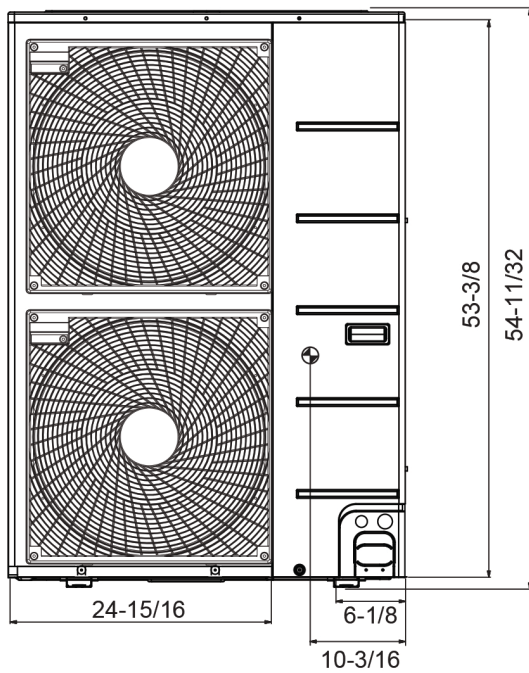
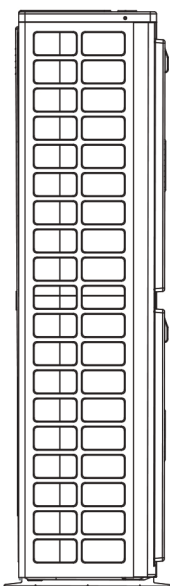
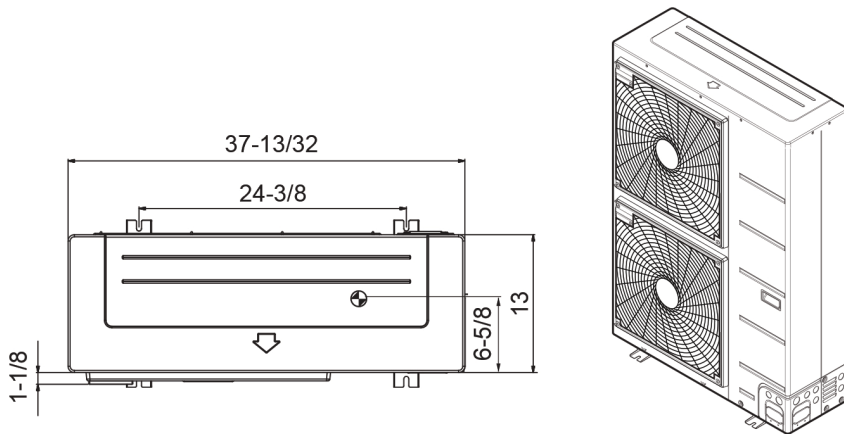
ARUN060GSS4
 Multi V™ S Heat Pump
 5.0 Ton Outdoor Unit



Tag No.: _____

Date: _____

PO No.: _____



Unit: inch

⊕ Center of Gravity

