

Job Name/Location:

Tag #:

Date: _____ For: File Resubmit
 PO No.: _____ Approval Other _____
 Architect: _____ GC: _____
 Engr: _____ Mech: _____
 Rep: _____
 (Company) _____ (Project Manager) _____



ARUM408CTE5 (a) ARUM192CTE5
 Multi V™ 5 Dual Frame 575V (b) ARUM216CTE5
 34.0 Ton Outdoor Unit for Heat Pump and Heat Recovery



Performance:

Cooling Mode:

Nominal Capacity (Btu/h)	408,000
Power Input ¹ (kW)	28.98

Heating Mode:

Nominal Capacity (Btu/h)	459,000
Power Input ¹ (kW)	33.21

Nominal Capacity is outside the scope of AHRI Standard 1230 and based on the following conditions:

Indoor: 80°F DB / 67°F WB Indoor: 70°F DB
 Outdoor: 95°F DB Outdoor: 47°F DB / 43°F WB

Electrical:

(a) ARUM192CTE5 (b) ARUM216CTE5

Power Supply (V/Hz/Ø)	575/60/3	575/60/3
MOP (A)	50.5	53.8
MCA (A)	35.7	38.3
Rated Amps (A)	32.0	34.4
Compressor A (A)	14.8	15.5
Compressor B (A)	12.2	13.9
Fan (A)	5.0	5.0

Piping:

(a) ARUM192CTE5 (b) ARUM216CTE5

Refrigerant Charge (lbs)	30.9	37.5
Liquid Line ² (in, OD)	5/8 Braze	5/8 Braze
Vapor Line High ² (in, OD)	1-1/8 Braze	1-1/8 Braze
Heat Recovery Only		
Vapor Line Low ² (in, OD)	1-1/8 Braze	1-1/8 Braze

Standard Features:

- Advanced Smart Load Control
- Intelligent Heating
- HiPOR (high pressure oil return)
- Smart Oil Control
- Night Quiet Operation
- Fault Detection and Diagnosis
- Active Refrigerant Control
- Variable Path Heat Exchanger
- Subcooling and Vapor Injection Control
- Liquid Cooled Inverter Controller

Required Accessories:

- ARCNB21 (frame connector Y-branch)

Optional Accessories:

- Air Guide - ZAGDKA52A (2 required)
- Hail Guard Kit - ZHGDKA52A (2 Required)
- Low Ambient Baffle Kit - ZLABKA52A (2), Control Kit - PRVC2 (1 per system)

****Cooling operating range can be extended to -13°F if the optional low ambient baffle kit and low ambient control kit are installed. This is the range in which the unit can operate as continuous operation.**

LG Electronics Canada, Inc. 20 Norelco Drive, North York, ON M9L2X6/www.lgvr.ca

© LG Electronics Canada, Inc. 20 Norelco Drive, North York, ON. All rights reserved. "LG Life's Good" is a registered trademark of LG Corp. /www.lgvr.ca

Operating Range:

Cooling (°F DB)**	5-122
Heating (°F WB)	-22 - 61
Synchronous	
Cooling Based (°F DB)	14 - 81
Heating Based (°F WB)	14 - 61

Unit Data:

Refrigerant Type	R410A
Refrigerant Control	EEV
Max Number of Indoor Units ³	64
Sound Pressure ⁴ dB(A)	66.0
Net Unit Weight (a) + (b) (lbs)	675+681
Shipping Weight (a) + (b) (lbs)	704+709
Communication Cable ⁵ (No x AWG)	2 x 18
Heat Exchanger Coating	Black Coated Fin™

Compressor:

Type	HSS DC Scroll
Quantity	4
Oil/Type	PVE/FVC68D

Fan:

Type	Propeller
Quantity	4
Motor/Drive	Brushless Digitally Controlled/Direct
Air Flow Rate (CFM)	22,600

Notes:

- For AHRI ratings, refer to the AHRI website <http://www.ahridirectory.org>.
- For main pipe segment size, refer to the LATS Multi V tree diagram.
- The combination ratio must be between 50-130%.
- Sound Pressure levels are tested in an anechoic chamber under ISO Standard 3745 for the combination of outdoor units.
- Communication cable between ODU and IDU(s) must be 2-conductor, 18 AWG, twisted, stranded, and shielded. Ensure the communication cable shield is properly grounded to the Master ODU chassis only. Do not ground the communication cable at any other point. Wiring must comply with all applicable local and national codes.
- Nominal data is rated 0 ft above sea level, with 25 ft of refrigerant line per indoor unit and a 0 ft level difference between outdoor and indoor units. All capacities are net with a combination ratio between 95-105%.
- Power wiring cable size must comply with the applicable local and national code. Cables terminate at each frame.
- The voltage tolerance is +/- 10%.
- The order of each of these units on the submittal (i.e., A+B) do not represent the installation order. Highest capacity unit is used as the Master, followed by the next smaller size as Slave 1 and so on.

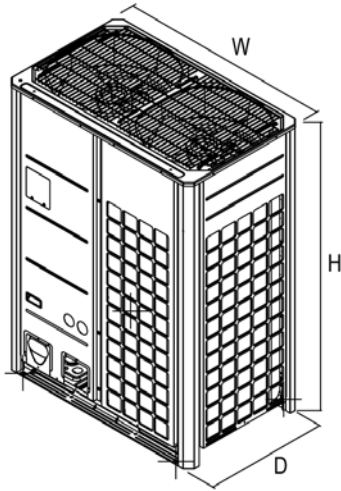


Job Name/Location:

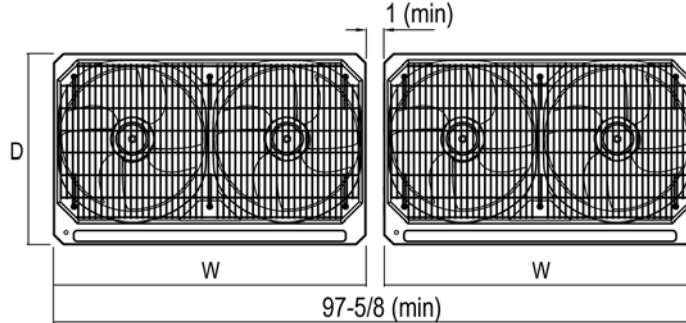
ARUM408CTE5 (a) ARUM192CTE5
 Multi V™ 5 Dual Frame 575V (b) ARUM216CTE5
 34.0 Ton Outdoor Unit for Heat Pump and Heat Recovery



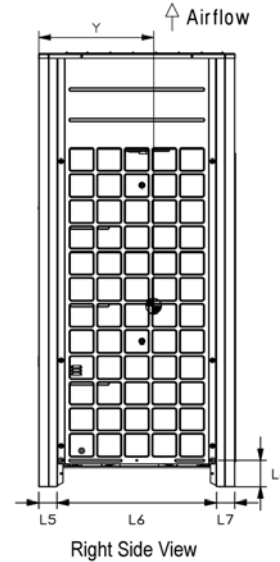
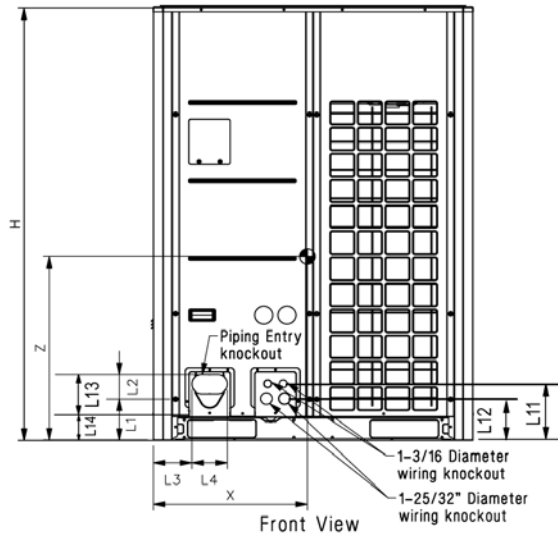
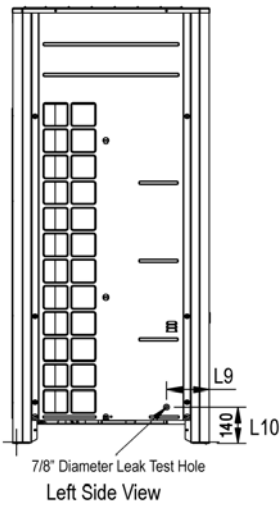
Tag #: _____
 Date: _____
 PO No.: _____



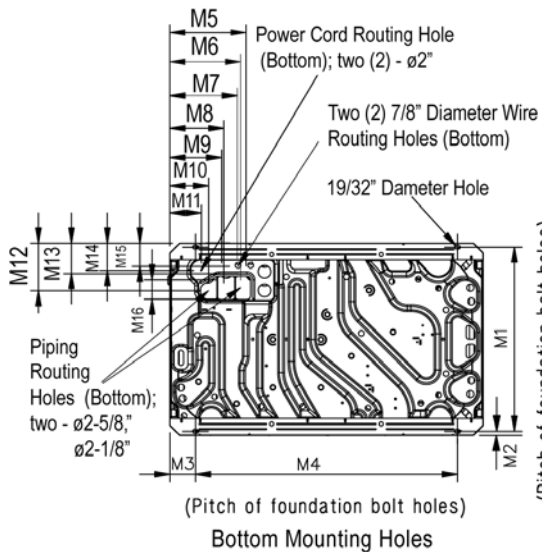
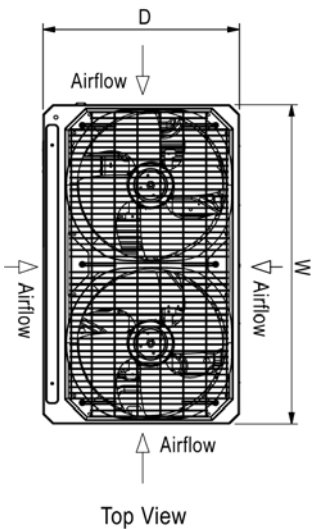
Typical Dual Frame Configuration



Note: Please refer to multi-frame placement information and piping rules in the Multi V 5 Engineering Manual and the Multi V 5 Installation Manual. Minimum spacing between frames is 1 inch.



W	48-13/16"
H	66-17/32"
D	29-29/32"
L1	6-5/16"
L2	3-3/4"
L3	5-29/32"
L4	5-13/32"
L5	2-25/32"
L6	24-9/32"
L7	2-25/32"
L8	4-1/32"
L9	6-1/2"
L10	5-9/16"
L11	8-5/8"
L12	6-7/16"
L13	9-15/16"
L14	3-5/8"



M1	28-25/32"
M2	5/8"
M3	3-15/16"
M4	40-15/16"
M5	11-15/16"
M6	11-1/16"
M7	10-1/2"
M8	8-7/16"
M9	8-1/8"
M10	6-1/16"
M11	4-15/16"
M12	7-1/2"
M13	4-13/16"
M14	4-5/16"
M15	3-5/8"
M16	3"

Center of Gravity

X	23-7/32"
Y	15-5/8"
Z	25-9/16"

All dimensions have a tolerance of ± 0.25 in.
 [Unit: inch]

