

Job Name/Location:

Tag #:

Date:

For:  File  Resubmit

PO No.:

Approval  Other

Architect:

GC:

Engr:

Mech:

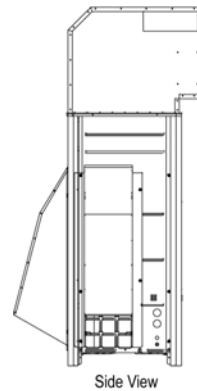
Rep:

(Company)

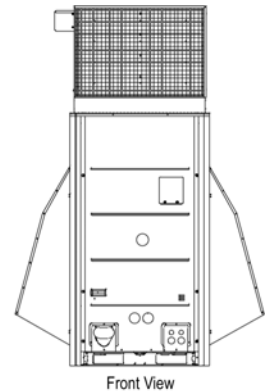
(Project Manager)

## ZLABKA51A

Low Ambient Baffle Kit for Multi V 5 6 Ton Outdoor Unit



Side View



Front View

### Compatible Outdoor Units

ARUM072BTE5

ARUM072DTE5

### Fitting Properties:

|          |                   |
|----------|-------------------|
| Color    | Dark Gray         |
| Material | 20 GA Sheet Metal |

### Each kit comes with:

- Right wind baffle
- Left wind baffle
- Rear wind baffle
- Top discharge elbow with motorized damper and 24 volt damper actuator
- (50) #10 x 1/2" self drilling hex head screws
- Seal-tite connector (for routing of actuator control and power wiring down to outdoor unit electrical box)

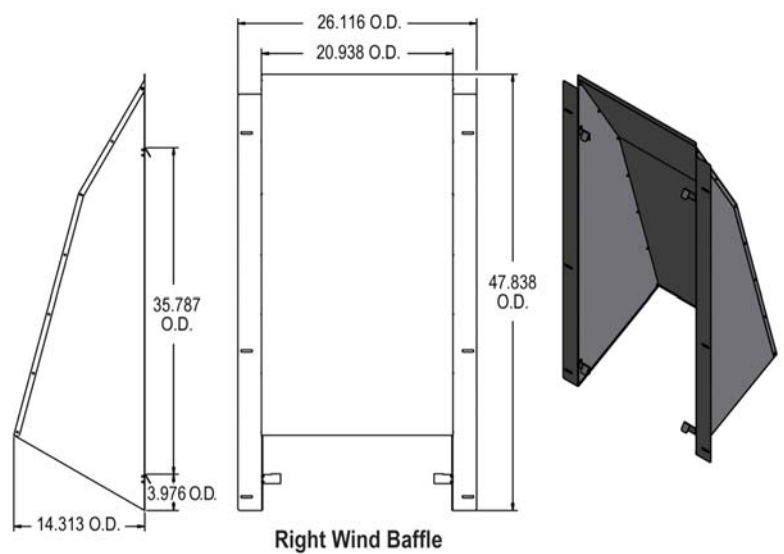
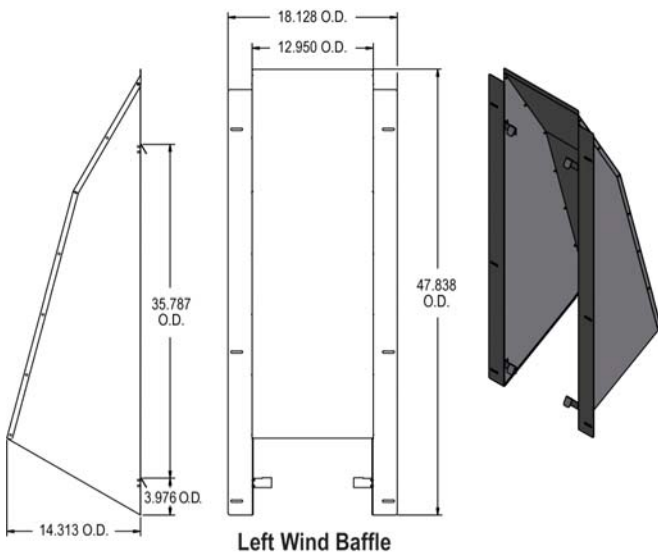
### Standard Features:

- Heat Recovery Configurations: 100% nominal cooling capacity available down to -9.9° F when all indoor units are in cooling mode. Synchronous mode operating range is not impacted.
- Heat Pump Configurations: Allows cooling operation down to -9.9° F.
- Damper operator has spring return, normally open actuator

### Required Accessories (sold separately):

- Low Ambient Control kit - PRVC2

| Outdoor Unit              | Required Accessory Quantities |       |
|---------------------------|-------------------------------|-------|
|                           | ZLABKA51A                     | PRVC2 |
| ARUM072BTE5 / ARUM072DTE5 | 1                             | 1     |



# ZLABKA51A

Low Ambient Baffle Kit for Multi V 5 6 Ton Outdoor Unit



Tag #:

Date:

PO No.:

